

Tous droits strictement réservés. Reproduction ou communication a des tiers interdite sous quelque forme que ce soit sans autorisation écrite du propriétaire. Property of FCI. Droits de reproduction FCI.

FCI

ALL rights strictly reserved. Reproduction or issue to third parties in any form whatever is not permitted without written authority from the proprietor. Property of FCI. Copyright FCI.

REFERENCE SPECIFICATIONS

-NFC 93425 (in compliance with HE 507)

PHYSICAL CHARACTERISTICS

- INSULATOR MATERIAL: THERMOPLASTIC / STANDARD MATERIAL
- CONTACT MATERIAL: BRASS(POWERS CONTACT)
- ACCESSORIES: BRASS TIN LEAD OVER NICKEL
- SHELLS: STEEL BRIGHT TIN LEAD

ELECTRICAL CHARACTERISTICS

- CONTACT RESISTANCE: ≤7.3mΩ
- CONTACT/CONTACT : ≥1000 V
- CONTACT/GROUND : ≥1200 V
- INSULATION RESISTANCE: ≥5000 MΩ

ENVIRONMENTAL CHARACTERISTICS

- CLIMATIC CATEGORY: 55/125/21
- TEMPERATURE RANGE -55°C TO +125°C
- DAMP HEAT STEADY STATE 21 DAYS
- SALT SPRAY 24 HOURS

MECHANICAL CHARACTERISTICS

- RETENTION AGAINST TORQUE: - Threaded insert: 0.7 N.m minimum
- Female screw lock: 0.5 N.m minimum

CONTACT PLATING

- POWER CONTACT:
- GOLD OVER NICKEL ON MATING AREA
- TIN LEAD OVER NICKEL ON TERMINATION PARTS

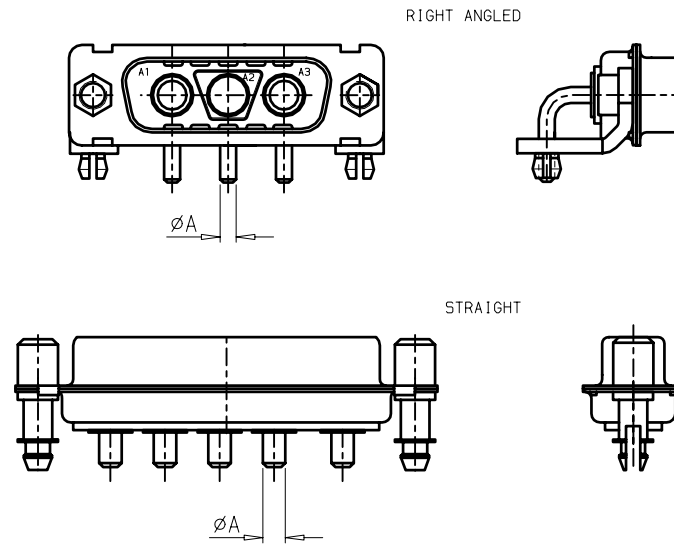
NOTE RoHS INFORMATION

- The "LF" products meet european union Directives and other country regulations as described in 65-22-008.
- The housing will withstand exposure to 260°C peak temperature for 3.5 seconds in a wave solder application with a 1.6mm minimum thick circuit board. See application notes/procedures if they are available.
- Termination plating spec: 1.27µm Nickel mini, 2.5 to 7.5µm Sn (pure matte)
- Packaging spec: see 65-14-920
- Shell plating :2 to 4µmCu + 3to 10um Sn(pure bright)
- Accessories: Sn pure bright

ltr	ecn no	dr	date
D	-	SBA	03/09/03
E	LS05-0039	LMA	14/01/05
-	-	-	-
-	-	-	-
-	-	-	-
-	-	-	-
-	-	-	-

PERFORMANCE LEVELS

		POWER CONTACTS			ACCESSORIES
500 Mating/unmating - gold contact area	D*****43*30	30 A	2.00	ø2.40	ø3.10
200 Mating/unmating - gold contact area	D*****00*30				
500 Mating/unmating - gold contact area	D*****43*40	40 A	2.80	ø3.10	
200 Mating/unmating - gold contact area	D*****00*40				
PROTECTION	PART NUMBER	Max current power	øA ±0.05	PCB HOLE ±0.1 tin Lead	PCB HOLE ±0.1 tin Lead



European view

FCI www.fciconnect.com		ISO 1302	tolerance ISO 406 ISO 1101	projection 	mm
Dr	JARRY	05/02/01	Product family	SUB D	size
Eng	PESSON	05/02/01	Spec ref	-	A3
Chr	LEGARE	05/02/01	Material	SEE NOTES	Scale
Appr	LEGARE	05/02/01	ECN	LS05-0039	1.5/1
title			D-SUB POWER RA & STRAIGHT		Rev. E
catalog no			STB VERSION GENERAL CHARA		
			- CUSTOMER COPY		dwg no C01-8639-0001
					sheet 1 of 1