



1.25mm Wire to Board Product Presentation



1.25mm Wire-to-Board

(Cross Molex-PicoBlade)



Product Facts:

- Wire to Board connectors with 1.25mm centerline
- Single row 2-15 positions
- Straight/Vertical SMT/Through Hole header options
- Plating with Tin, Gold Flash, 15u" and 30u" Gold plating
- Fully polarized housing prevents accidental mis-mating
- Crimping housing is equipped with friction
- LCP plastic used in the header meets Halogen Free requirement
- Available in UL94V-0 flammability rated LCP
- Offer tape/reel with pick up cap packaging for picking and placing SMT production process
- RoHS compliance and Lead Free
- UL Approved

Technical Documents:

- Product Spec : GS-12-675
- Packaging Spec : GS-14-1592 & GS-14-1593

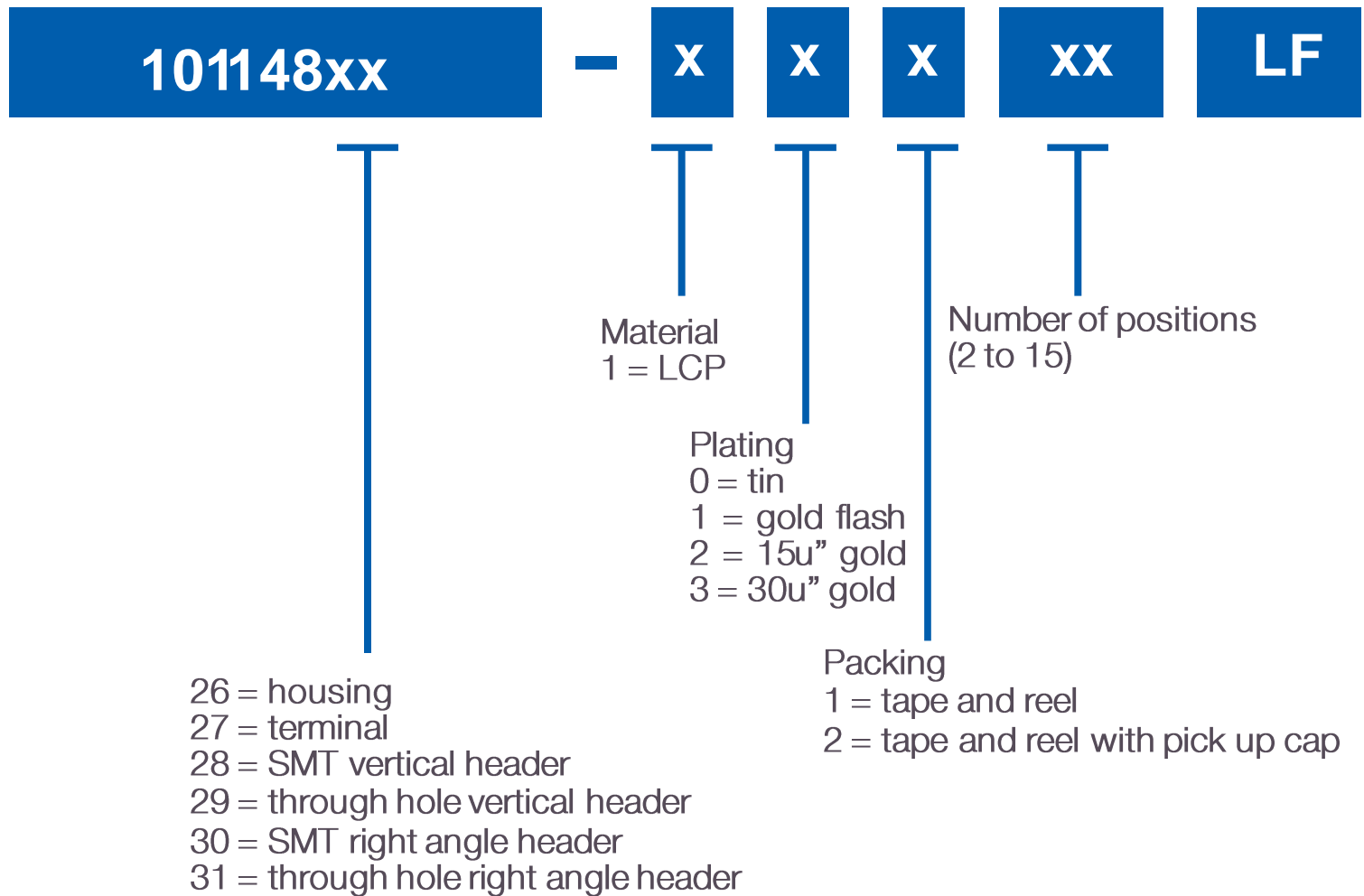
Tool Information

- Hand Tool : 10118656-1000

Performance Characteristics:

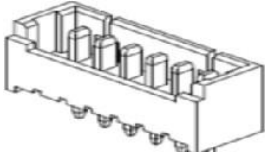
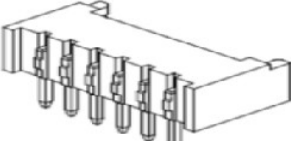
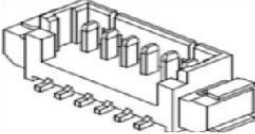
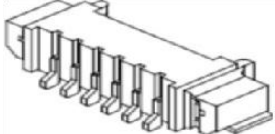
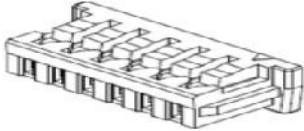
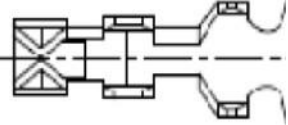
- Durability : 30 cycles
- Durability : 30 cycles
- Contact Resistance : 30 cycles
- Insulation Resistance : 20m Ω max
- Contact current rating : 100M Ω Min
- AWG : 1A
- Voltage rating : 28 ~ 32 : 25 VAC
- Operating temperature range : -40°C to +105°C

Part Number Definition





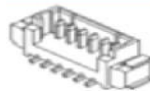



Product Types Introduction



	Through Mount		Surface Mount	
	Vertical	Right Angle	Vertical	Right Angle
Headers	10114829 	10114831 	10114828 	10114830 
Housing	10114826 			
Terminal	10114827 			

Competitive Cross Reference



	FCI			Hirose	Molex Picoblade
Product Description	P/N	Material	Material	P/N	P/N
Housing	10114826	PA66 white color		DF13-*S-1.25C	51021
Terminal	10114827	Phosphor Bronze		DF13	50058
Vertical header SMT	10114828	LCP nature color		DF13C-*P- 1.25V(**)	5339 8
Vertical header TH	10114829	LCP nature color		DF13-*P- 1.25DSA(**)	5304 7
Right angle header SMT	10114830	LCP nature color		DF13A-*P- 1.25H(**)	5326 1
Right angle header TH	10114831	LCP nature color		DF13-*P- 1.25DS(20)	5304 8

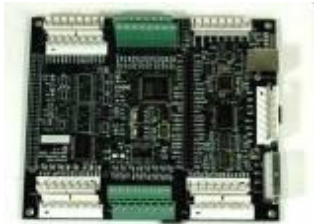
Markets and Applications



Vending POS Ticketing Control Board;
Thermal Printer; LCD Controller; Money
counter; Barcode scanner; Terminals;
Handheld; Parking Meters; RFID module

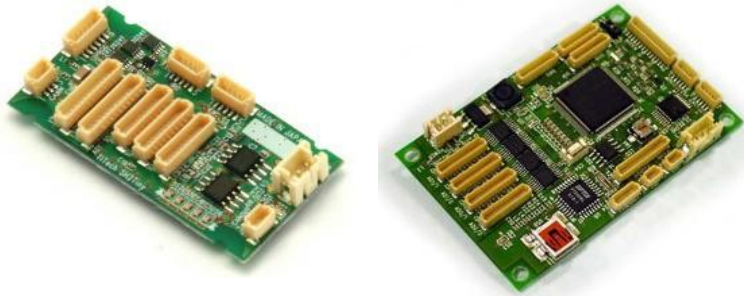


Markets and Applications



Industrial Control Sensors;
Actuators;
LCD controller; Handhelds; Motion Controller;
Scales; HMI; RFD module

Markets and Applications



Small Motor / Robot Control
Controllers; Drives



Security
Card Reader; Finger Print Module; CCTV Control Board; Eye scan camera; Thermal Printer; Battery Packs; Sensors; Access Module; RFID Module



Handhelds



THANK YOU

