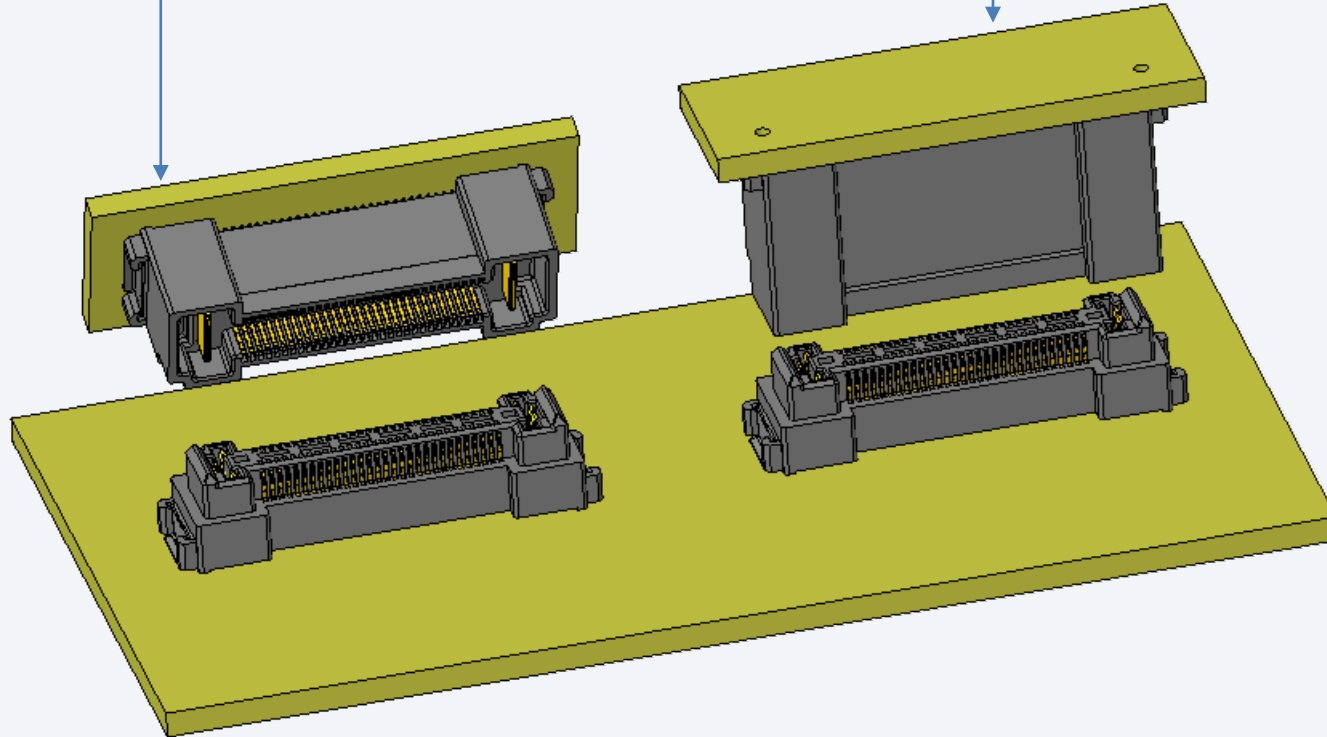


ComboStak® 0.5mm Vertical **Header**
H1.5=7.27mm
P/N 10168778-**A**XXXX00LF

ComboStak® 0.5mm Vertical **Header**
H3=11.77mm
P/N 10168778-**3**XXXX00LF



ComboStak® 0.5 mm Vertical **Receptacle**
R3=6.05mm
P/N 10168779-**3**XXX00LF