

Dsub Custom Specials

Amphenol Information Communications
and Commercial Products

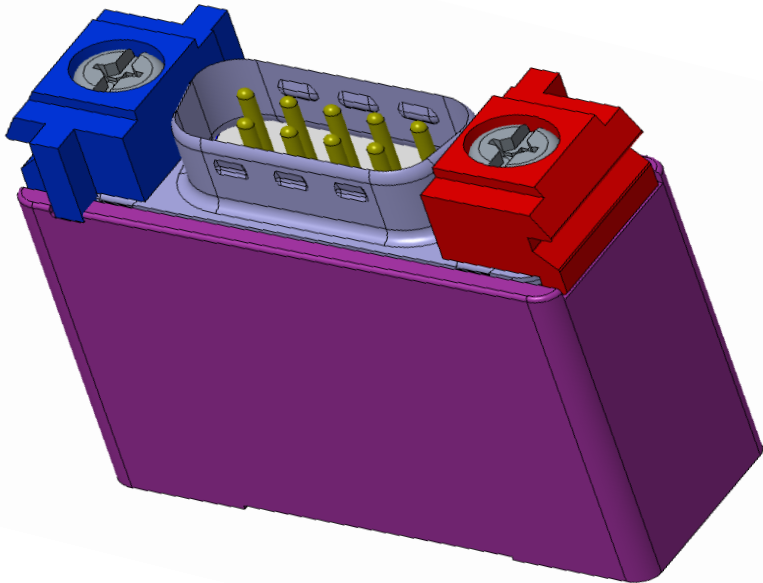
ACPI

Amphenol ICC

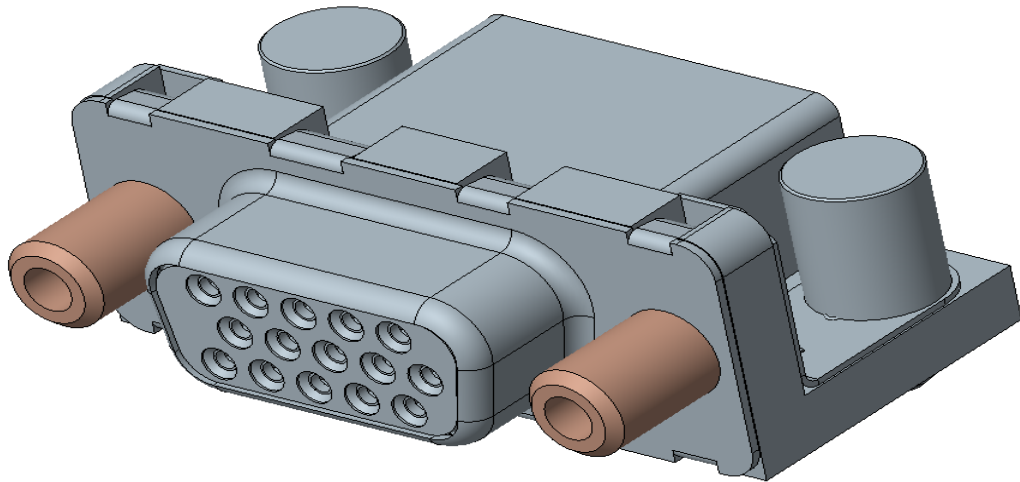
Amphenol has proven capability to work with customers and develop special product extensions to meet their custom applications. This can be to meet special polarization requirements, fitment to their special panel cabinets, extra standoff to meet the height requirements, assemblies for cable application, etc.

- Rigid and reliable connections
- Design flexibility
- Combo products
- Still maintain standard mating interface
- Achieve special polarisation

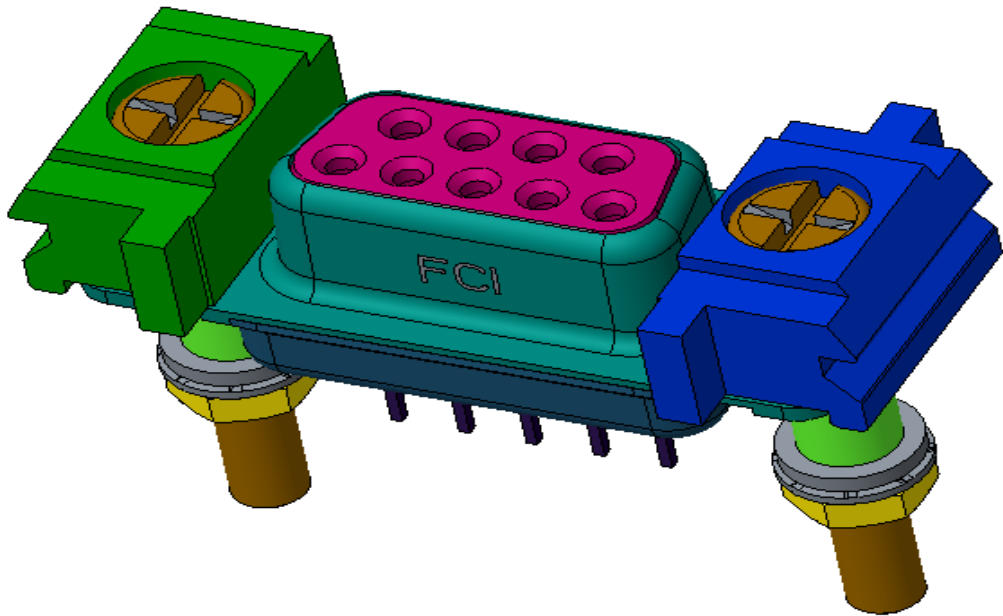




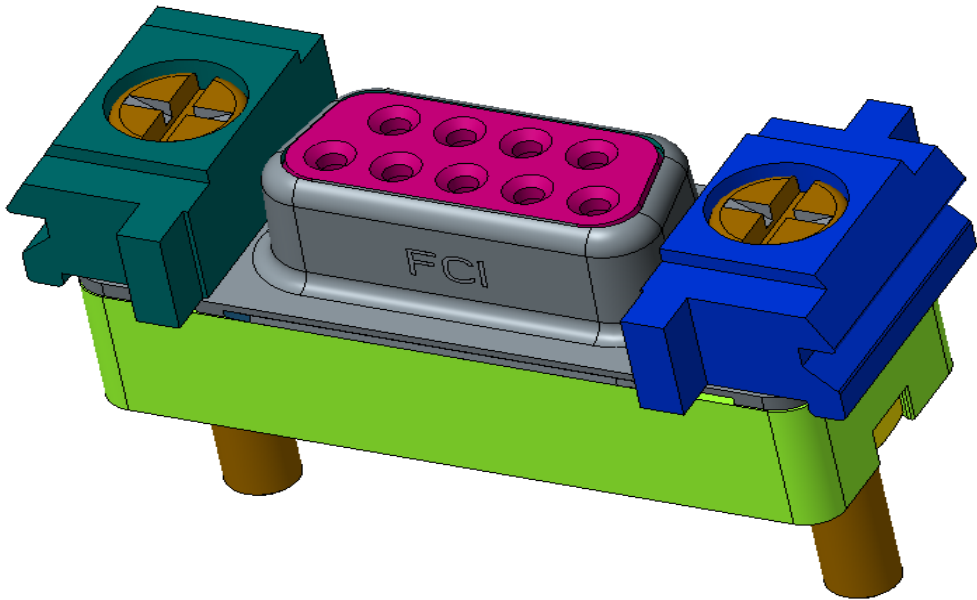
- **Item Description:** Dsub Straight Spill version connector
- **Customization:** Extended Dsub with cover and latch assembly
- **Part Number:** DEO09P367GTX156LF



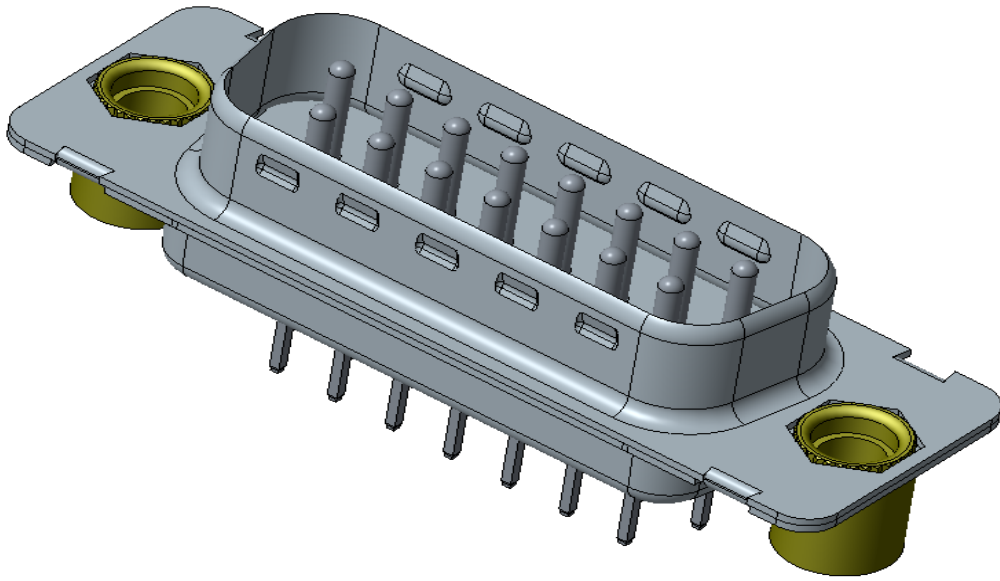
- **Item Description:** Delta-D Right Angle PIP version connector
- **Customization:** 6.7mm Height PIP
- **Part Number:** CD15S13E4RV159LF



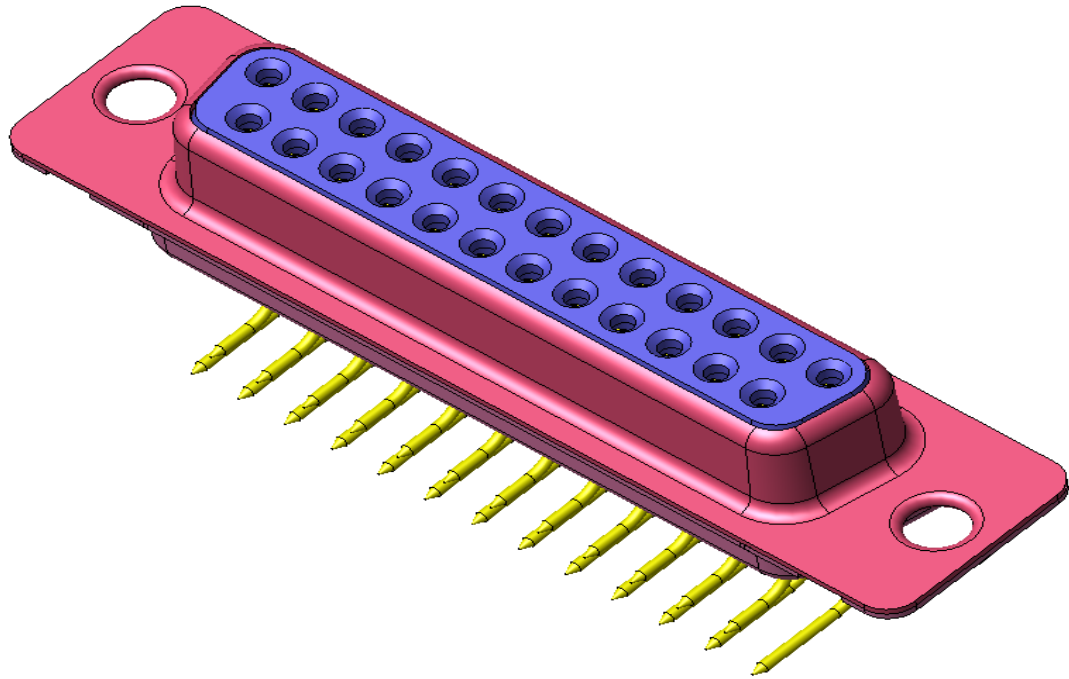
- **Item Description:** Female Dsub with extended screw and accessories
- **Customization:** Female Dsub with Red & Black latch, extended screw and accessories
- **Part Number:** DE09S364165LF



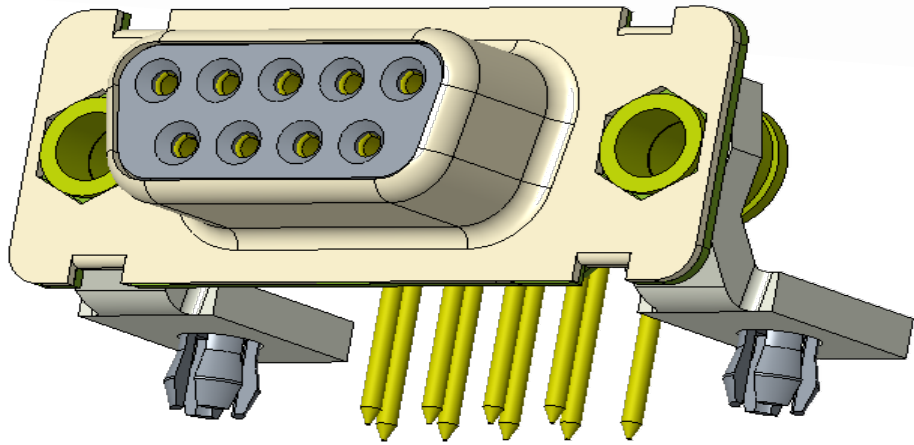
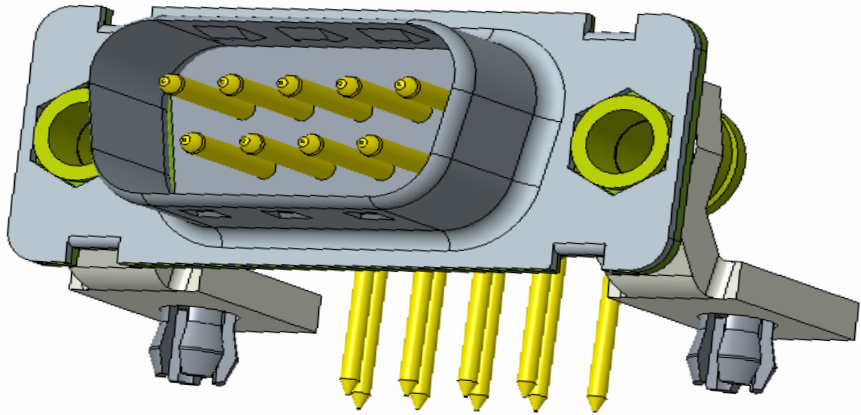
- **Item Description:** Female Dsub with extended screw and cover
- **Customization:** Female Dsub with Red & Black latch, extended screw and cover
- **Part Number:** DE09S364170LF



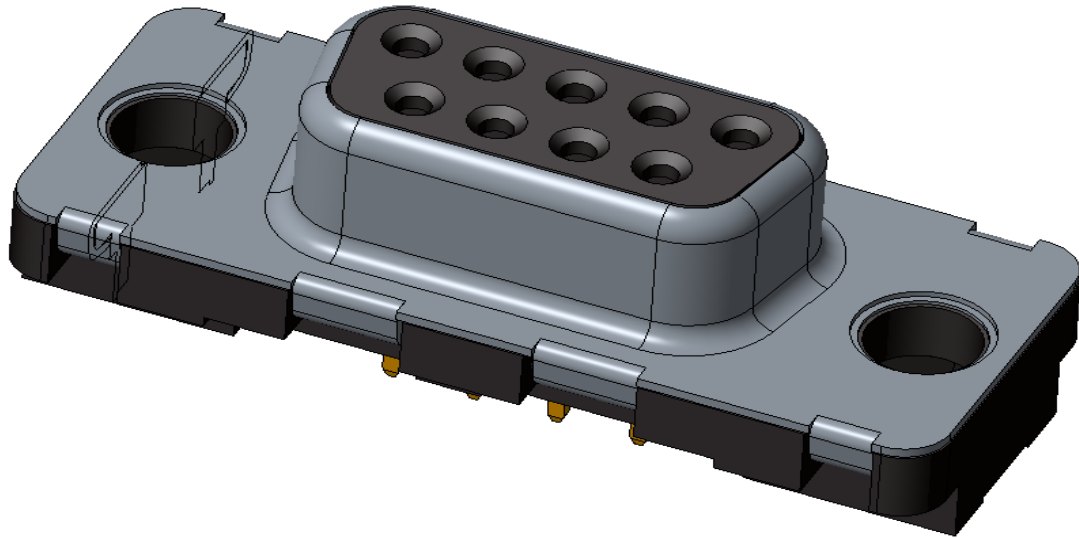
- **Item Description:** Dsub St. Spill connector
- **Customization:** Straight Spill connector spacer 5.5 mm
- **Part Number:** DAS15P365TX180LF



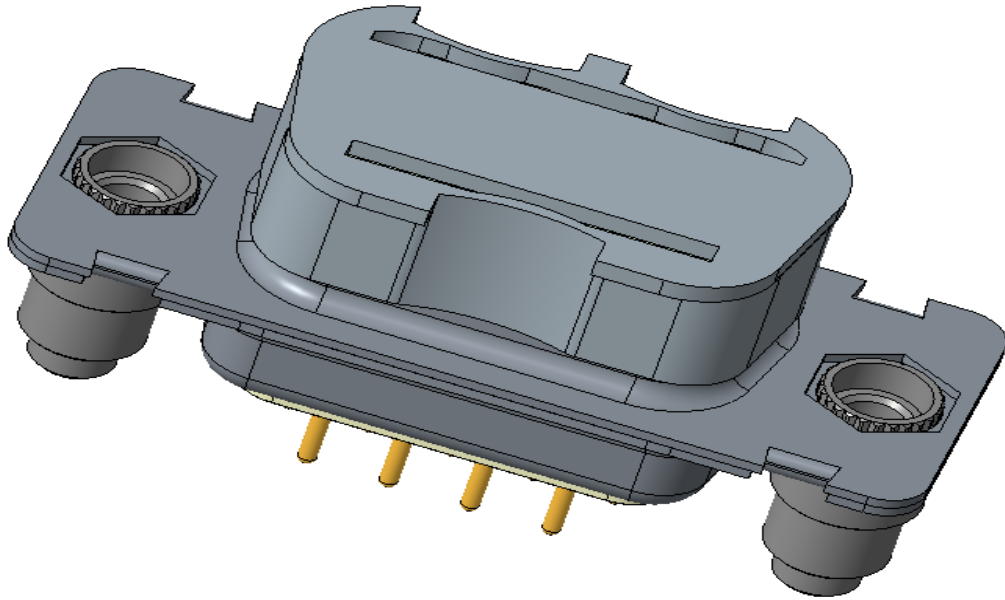
- **Item Description:** DP special connector
- **Customization:** DP with customized contact.
- **Part Number:** DBP25S564CT194LF



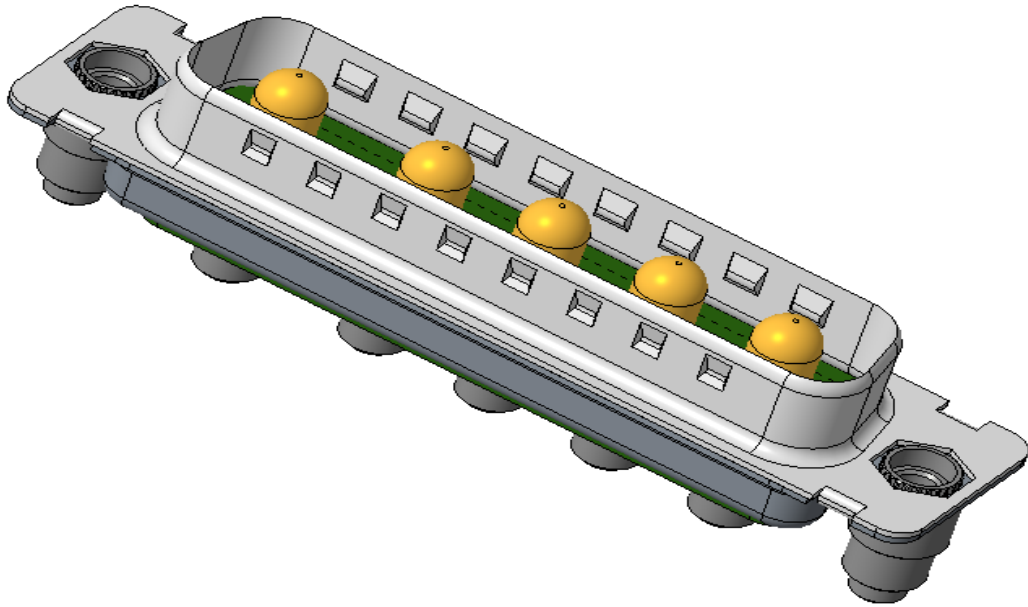
- **Item Description:** Dsub DM Right Angle
- **Customization:** DM with Ni plated shell+Metal Bracket + Harpoon
- **Part Number:** DEMO09P743G199LF/ DEMO09S743G199LF



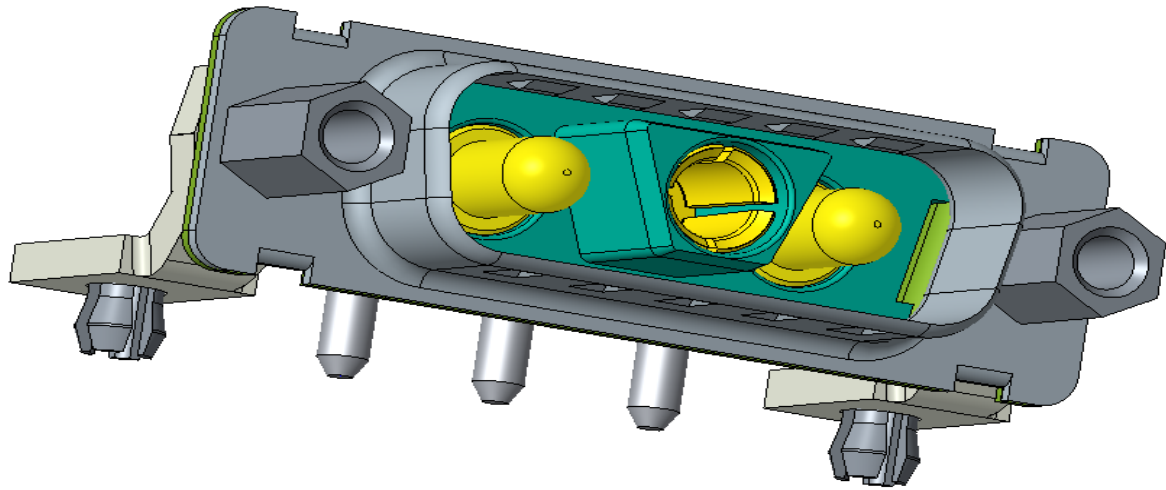
- **Item Description:** Delta-D Low profile connector
- **Customization:** Low profile connector with modified PIP
- **Part Number:** D09S14A4RX200LF



- **Item Description:** Dsub Straight PIP
- **Customization:** Packing in Tube with Pickup Cap
- **Part Number:** DAPRO15S376G4KLF



- **Item Description:** Dsub 5W5 Power PIP
- **Customization:** Packing in Tube with Pickup Cap
- **Part Number:** DBRO5W5P376G404KLF



- **Item Description:** Dsub DW Terminal 2.4 MM - US VERSION 3V3 BSN
- **Customization:** Terminal 2.4 MM - US VERSION 3V3 BSN
- **Part Number:** DAV3V3P700G306KLF



- **Item Description:** Dsub special assembly for Scanner Applications
- **Customization:** 17 pin special design
- **Part Number:** 10149821-001LF

Amphenol ICC

Thank you!

For any support please contact,
Tech.Support@amphenol-icc.com