

Amphenol

COMMUNICATIONS SOLUTIONS

EMC Solution

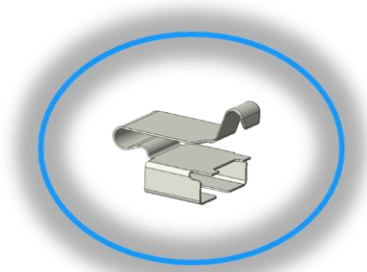
Jun 2024

 **Amphenol**
AORORA

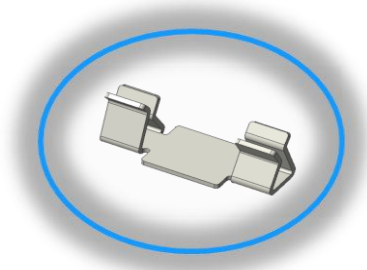


Category

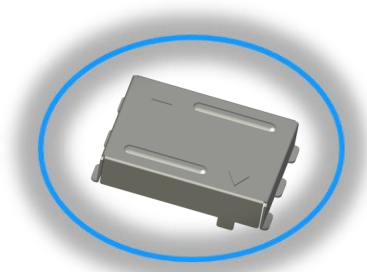
1. Spring Contacts



2. Clips

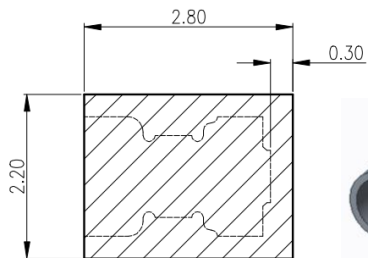
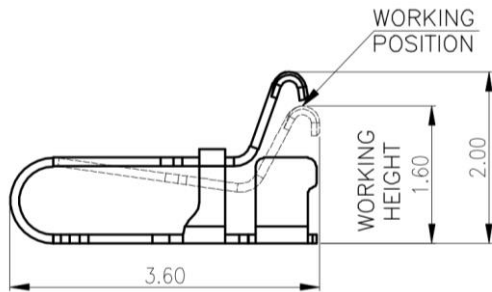


3. Shields



2.0mm High Spring

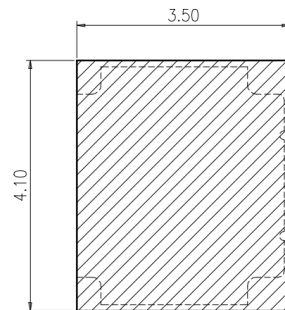
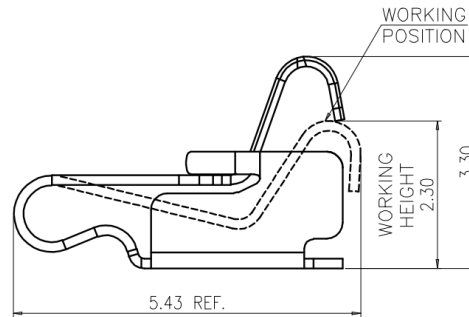
P/N: Z02E-4F7L1-11000
 Material: Copper Alloy
 Contact resistance: 100mΩ Max.
 Lower Pressure: 0.025kgf(0.245N) Min.
 Use temperature range: -40°C~+105°C
 Packing: Tape Reel



PCB LAYOUT RECOMMEND
(TOP VIEW) TOLERANCE:±0.05

3.3mm High Spring

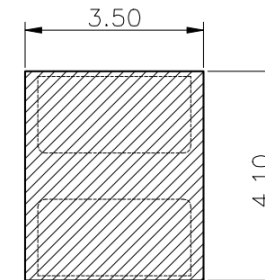
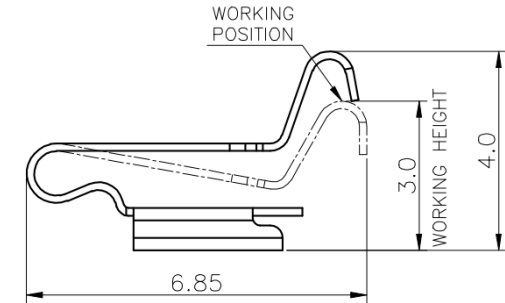
P/N: Z003-007L1-11001
 Material: Stainless Steel
 Contact resistance: 100mΩ Max.
 Lower Pressure: 0.05kgf(0.52N) Min.
 Use temperature range: -40°C~+105°C
 Packing: Tape Reel



PCB LAYOUT RECOMMEND
(TOP VIEW) TOLERANCE:±0.05

4.0mm High Spring

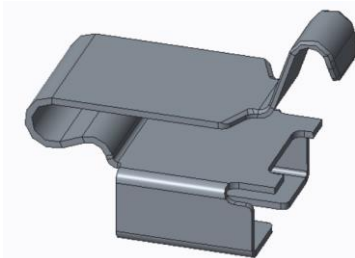
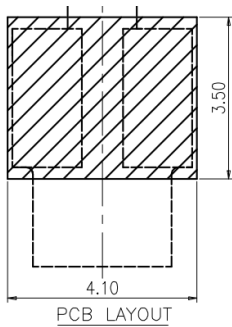
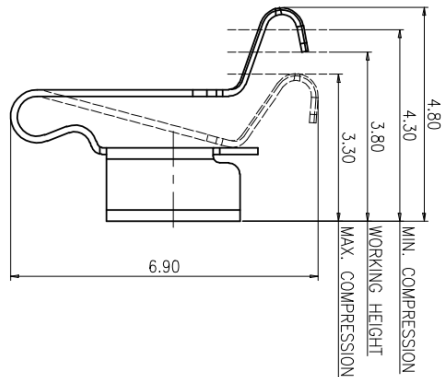
P/N: Z00E-4G7L1-11000
 Material: Stainless Steel
 Contact resistance: 100mΩ Max.
 Lower Pressure: 0.05kgf(0.52N) Min.
 Use temperature range: -40°C~+105°C
 Packing: Tape Reel



PCB LAYOUT TOLERANCE:±0.05mm

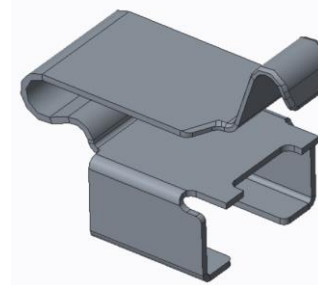
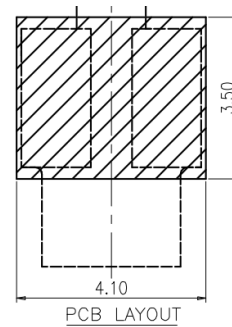
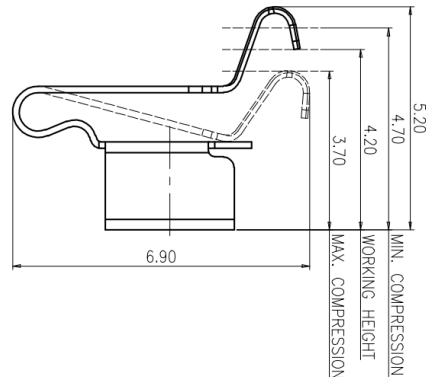
4.8mm High Spring (T=0.15mm)

P/N: Z00D-4G7L1-11000
 Material: Stainless Steel
 Contact resistance: 100mΩ Max.
 Lower Pressure: 0.05kgf(0.52N) Min.
 Use temperature range: -40°C~+105°C
 Packing: Tape Reel



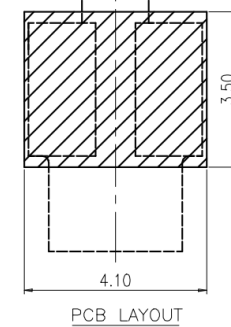
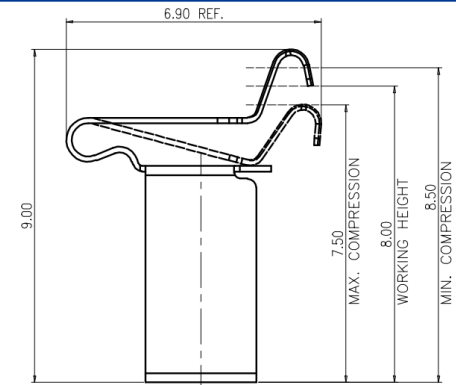
5.2mm High Spring (T=0.15mm)

P/N: Z007-4G7L1-11000
 Material: Stainless Steel
 Contact resistance: 100mΩ Max.
 Lower Pressure: 0.05kgf(0.52N) Min.
 Use temperature range: -40°C~+105°C
 Packing: Tape Reel



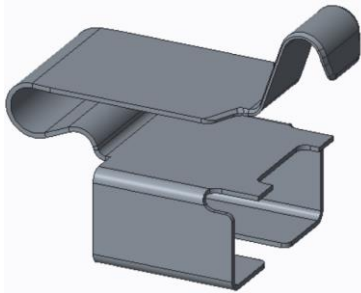
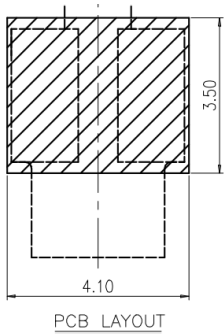
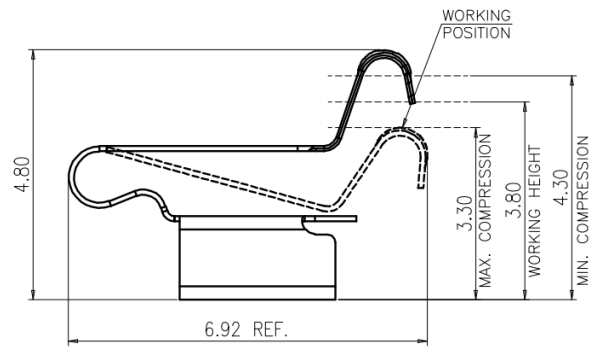
7.5mm High Spring (T=0.15mm)

P/N: Z00C-4G7L1-11000
 Material: Stainless Steel
 Contact resistance: 100mΩ Max.
 Lower Pressure: 0.05kgf(0.52N) Min.
 Use temperature range: -40°C~+105°C
 Packing: Tape Reel



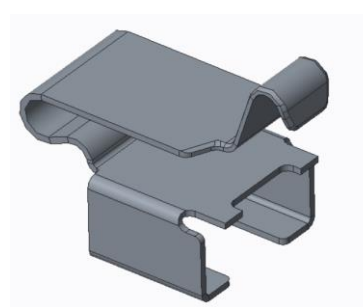
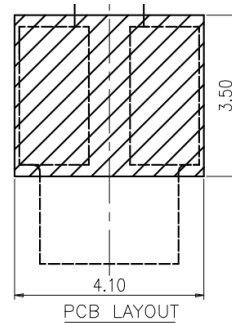
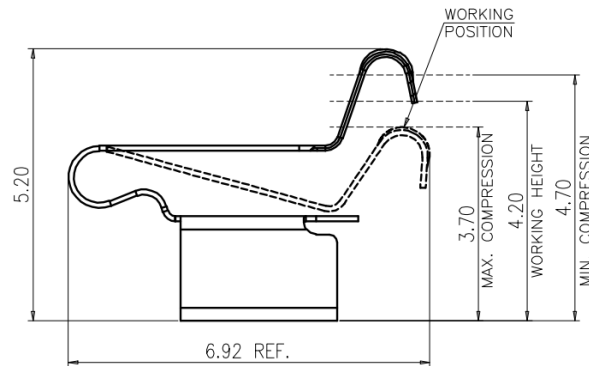
4.8mm High Spring (T=0.10mm)

P/N: Z016-4F7L1-11000-E000
 Material: Copper Alloy
 Contact resistance: 100mΩ Max.
 Lower Pressure: 0.025kgf(0.245N) Min.
 Use temperature range: -40°C~+105°C
 Packing: Tape Reel



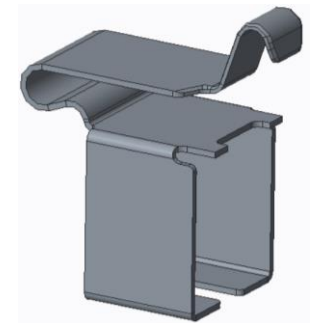
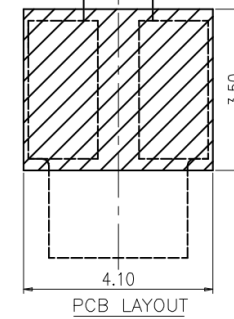
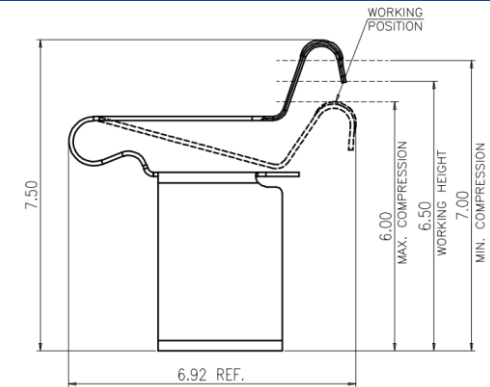
5.2mm High Spring (T=0.10mm)

P/N: Z02B-4F7L1-11000-E000
 Material: Copper Alloy
 Contact resistance: 100mΩ Max.
 Lower Pressure: 0.025kgf(0.245N) Min.
 Use temperature range: -40°C~+105°C
 Packing: Tape Reel



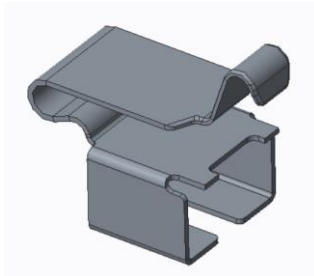
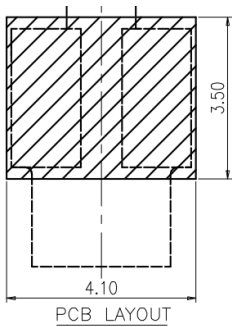
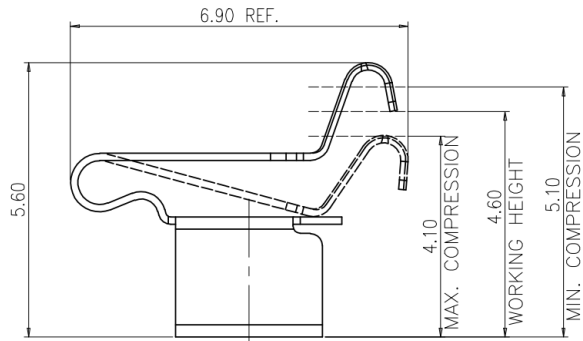
7.5mm High Spring (T=0.10mm)

P/N: Z02D-4F7L1-11000-E000
 Material: Copper Alloy
 Contact resistance: 100mΩ Max.
 Lower Pressure: 0.025kgf(0.245N) Min.
 Use temperature range: -40°C~+105°C
 Packing: Tape Reel



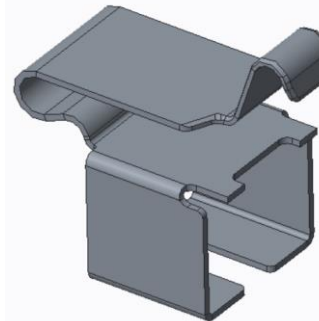
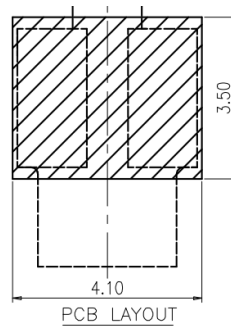
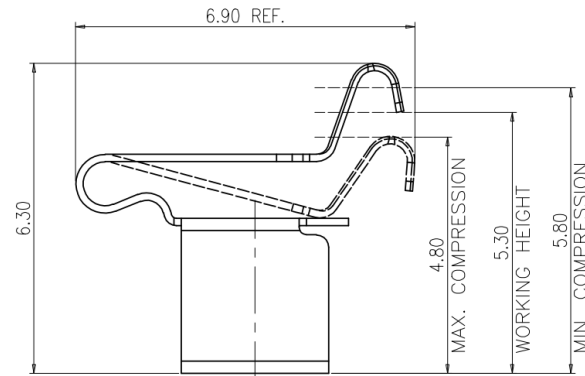
5.6mm High Spring (T=0.15mm)

P/N: Z00X-4G7L1-11000-E000
 Material: Stainless Steel
 Contact resistance: 100mΩ Max.
 Lower Pressure: 0.05kgf(0.52N) Min.
 Use temperature range: -40°C~+105°C
 Packing: Tape Reel



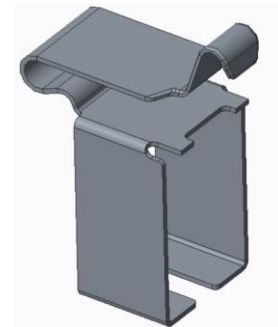
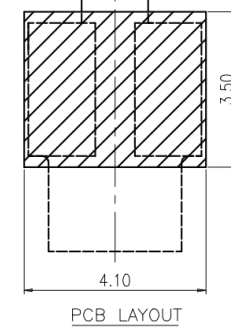
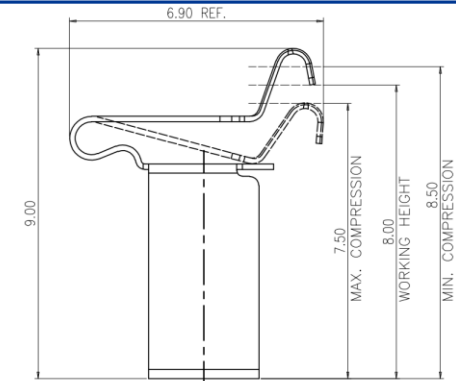
6.3mm High Spring (T=0.15mm)

P/N: Z00N-4G7L1-11000
 Material: Stainless Steel
 Contact resistance: 100mΩ Max.
 Lower Pressure: 0.05kgf(0.52N) Min.
 Use temperature range: -40°C~+105°C
 Packing: Tape Reel



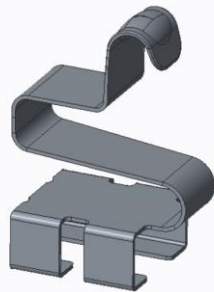
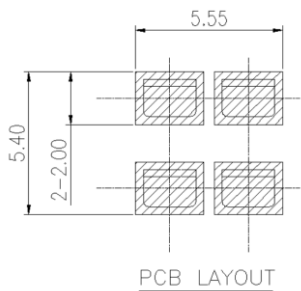
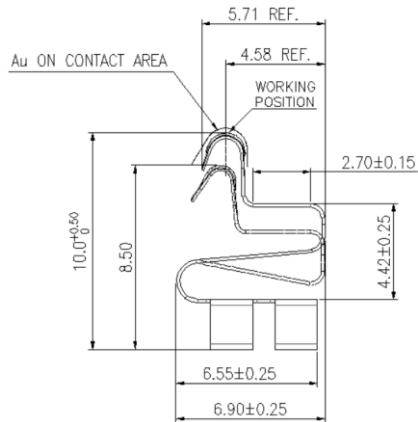
9.0mm High Spring (T=0.15mm)

P/N: Z00F-4G7L1-11000
 Material: Stainless Steel
 Contact resistance: 100mΩ Max.
 Lower Pressure: 0.05kgf(0.52N) Min.
 Use temperature range: -40°C~+105°C
 Packing: Tape Reel



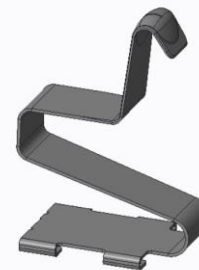
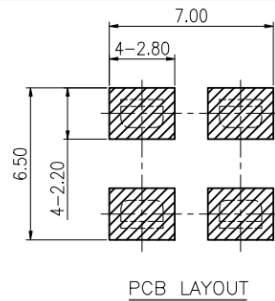
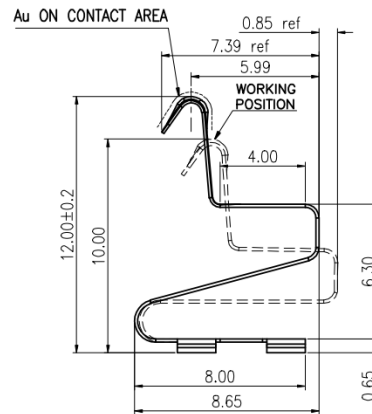
10mm High Spring (T=0.15mm)

P/N: Z02L-4G7L1-11000-E000
 Material: Stainless Steel
 Contact resistance: 100mΩ Max.
 Lower Pressure: 0.05kgf(0.52N) Min.
 Use temperature range: -40°C~+105°C
 Packing: Tape Reel



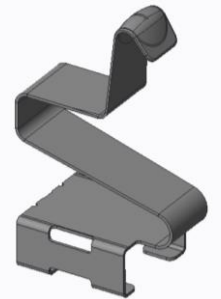
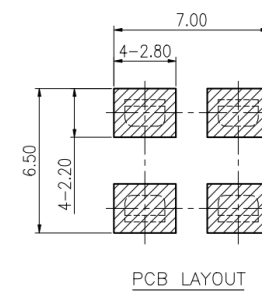
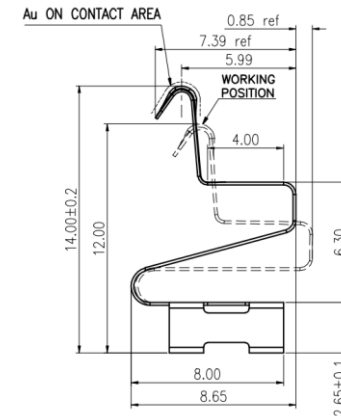
12mm High Spring (T=0.15mm)

P/N: Z01Y-4G7L1-11000-E000
 Material: Stainless Steel
 Contact resistance: 100mΩ Max.
 Lower Pressure: 0.05kgf(0.52N) Min.
 Use temperature range: -40°C~+105°C
 Packing: Tape Reel



14mm High Spring (T=0.15mm)

P/N: Z01U-4G7L1-11000-E000
 Material: Stainless Steel
 Contact resistance: 100mΩ Max.
 Lower Pressure: 0.05kgf(0.52N) Min.
 Use temperature range: -40°C~+105°C
 Packing: Tape Reel



16mm High Spring (T=0.15mm)

P/N: Z01V-4G7L1-11000-E000

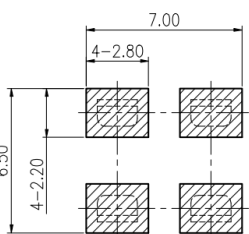
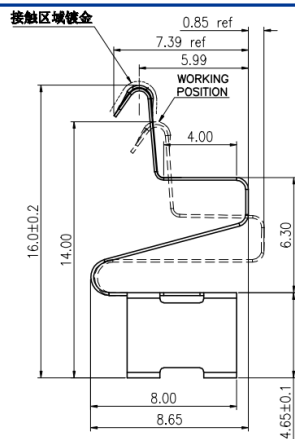
Material: Stainless Steel

Contact resistance: 100mΩ Max.

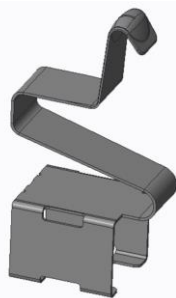
Lower Pressure: 0.05kgf(0.52N) Min.

Use temperature range: -40°C~+105°C

Packing: Tape Reel



PCB LAYOUT



7.5mm High “W” Spring

P/N: Z02J-4F7L1-11000

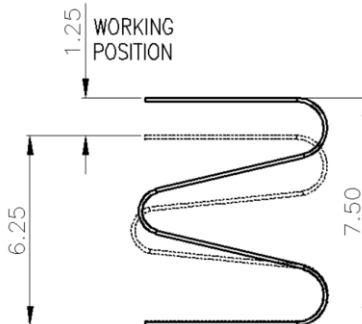
Material: Copper Alloy

Contact resistance: 100mΩ Max.

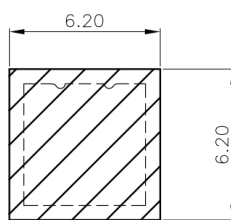
Lower Pressure: 0.05kgf(0.52N) Min.

Use temperature range: -40°C~+105°C

Packing: Tape Reel



CONTACT SPRING IN
BUILT-IN NOM.COMPRESSION



PCB LAYOUT RECOMMEND
(TOP VIEW) TOLERANCE:±0.05



8.5mm High “W” Spring

P/N: Z02*-4F7L1-11000

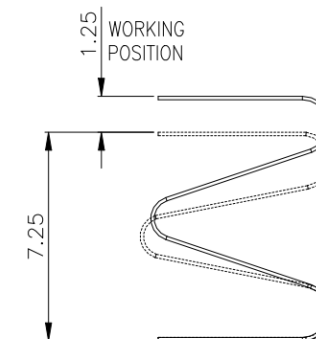
Material: Copper Alloy

Contact resistance: 100mΩ Max.

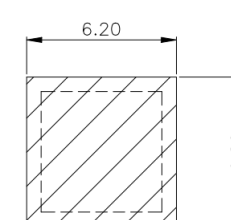
Lower Pressure: 0.05kgf(0.52N) Min.

Use temperature range: -40°C~+105°C

Packing: Tape Reel



CONTACT SPRING IN
BUILT-IN NOM.COMPRESSION

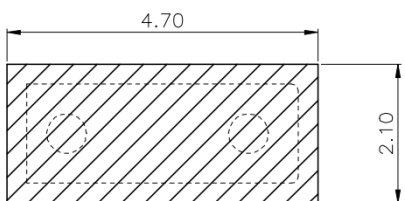
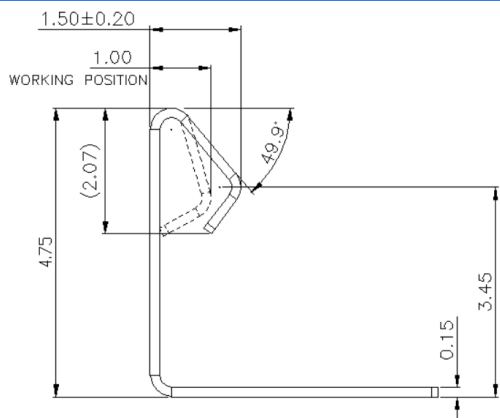


PCB LAYOUT RECOMMEND
(TOP VIEW) TOLERANCE:±0.05



4.75mm High “L” Spring

P/N: Z02H-4F7L1-11000
 Material: Copper Alloy
 Contact resistance: 100mΩ Max.
 Lower Pressure: 0.025kgf(0.245N) Min.
 Use temperature range: -40°C~+105°C
 Packing: Tape Reel

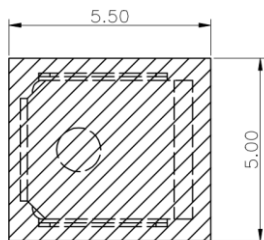
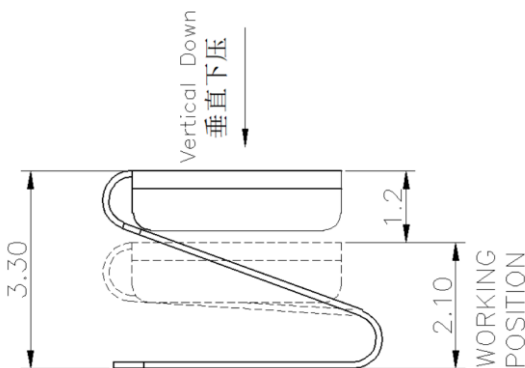


RECOMMEND PCB LAYOUT
TOLERANCE:±0.05

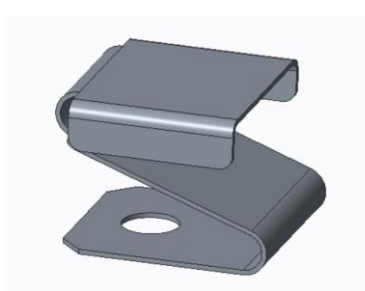


3.3mm High “Z” Spring

P/N: Z01B-4G7L1-11000-E000
 Material: Stainless Steel
 Contact resistance: 100mΩ Max.
 Lower Pressure: 0.05kgf(0.52N) Min.
 Use temperature range: -40°C~+105°C
 Packing: Tape Reel

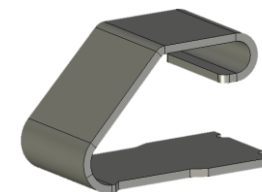
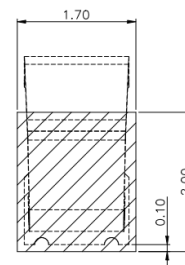
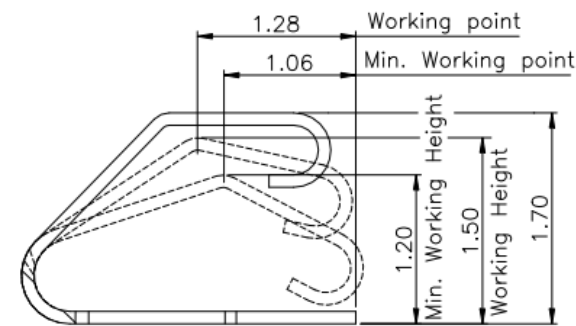


P.C.B LAYOUT:TOL±0.10



1.7mm High “Z” Spring

P/N: Z03A-4P7C1-11000
 Material: Copper Alloy (TITANIUM)
 Contact resistance: 100mΩ Max.
 Lower Pressure: 1.2N Min.
 Use temperature range: -40°C~+105°C
 Packing: Tape Reel



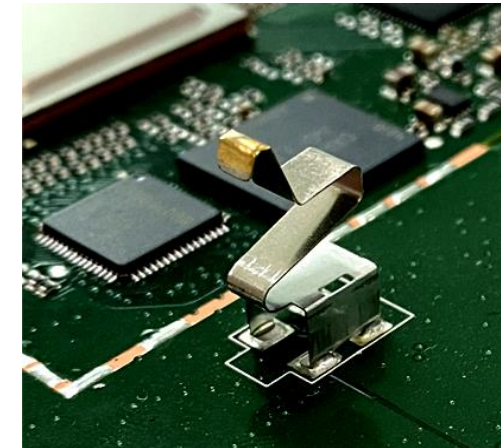
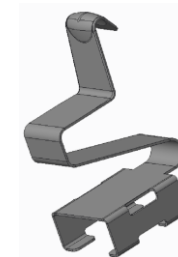
Program: CRS3.0

- End Customer: xx
- Application: Infotainment
- Product: Ground terminal
- TSY: xxx
- Business Type: Early Design In



Why we win?

- Meet SMT requirement
- Higher reliability than conductive sponge
- Automatic production
- Reasonable pricing
- Quick Response for Solution, Inquiry Quote, Sample



Clip “0.20~0.35mm” H1.34mm

P/N: Z000-4G7U1-11000

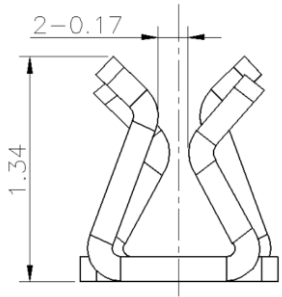
Material: Stainless Steel

Contact resistance: 100mΩ Max.

Clamping force: $0.5N \pm 0.2N$.

Use temperature range: $-40^{\circ}C \sim +105^{\circ}C$

Packing: Tape Reel



Thickness Range:
0.20~0.35mm

Clip “0.15~0.35mm” H1.89mm

P/N: Z00A-4G7U1-11000

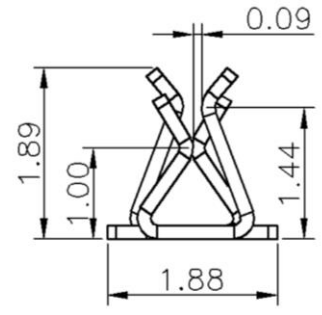
Material: Stainless Steel

Contact resistance: 100mΩ Max.

Clamping force: $0.5N \pm 0.2N$.

Use temperature range: $-40^{\circ}C \sim +105^{\circ}C$

Packing: Tape Reel



Thickness Range:
0.15~0.35mm

Clip “0.20~0.35mm” H2.10mm

P/N: Z012-4G7U1-11000-E000

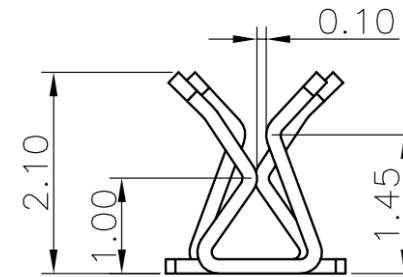
Material: Stainless Steel

Contact resistance: 100mΩ Max.

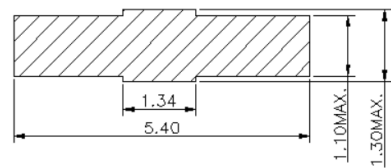
Lower Pressure: $0.5N \pm 0.2N$.

Use temperature range: $-40^{\circ}C \sim +105^{\circ}C$

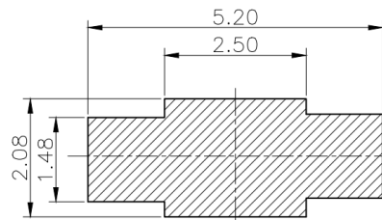
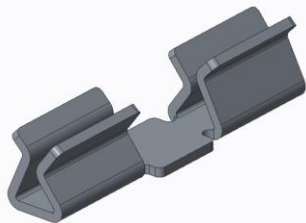
Packing: Tape Reel



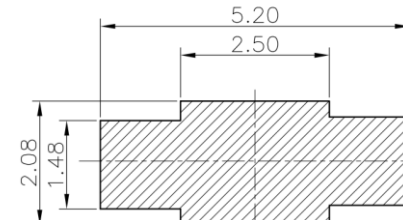
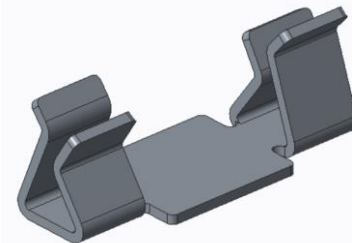
Thickness Range:
0.20~0.35mm



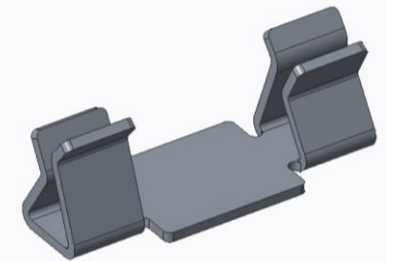
RECOMMENDED PCB LAYOUT



RECOMMEND PCB LAYOUT SIZE



RECOMMEND PCB LAYOUT SIZE



Cable Clip “1.2~1.45mm” H2.31mm

P/N: Z02G-4G7R1-11000

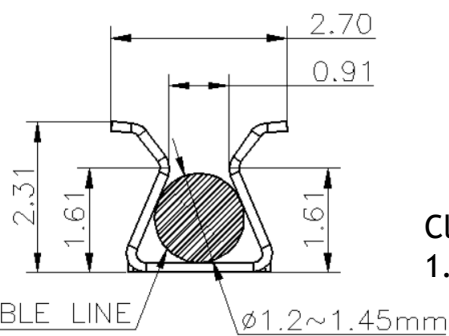
Material: Stainless Steel

Contact resistance: 100mΩ Max.

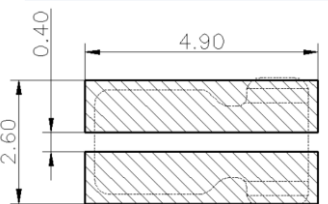
Clamping force: 0.5N±0.2N.

Use temperature range: -40°C~+105°C

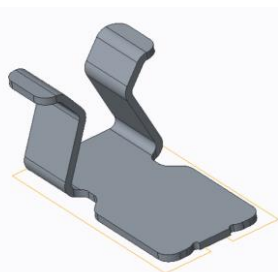
Packing: Tape Reel



Clip cable OD:
1.20~1.45mm



PCB LAYOUT RECOMMEND
(TOP VIEW) TOLERANCE: ±0.05



Clip “0.2~0.35mm” H3.40mm

P/N: Z002-4B7C1-11000

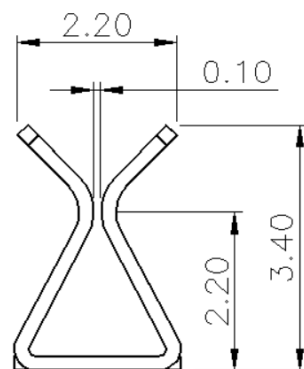
Material: Phosphor Bronze

Contact resistance: 100mΩ Max.

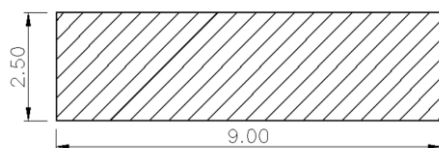
Clamping force: 0.5N±0.2N.

Use temperature range: -40°C~+105°C

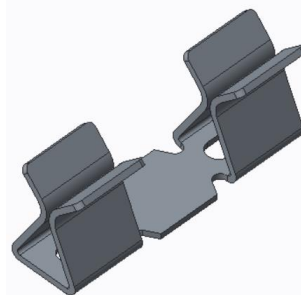
Packing: Tape Reel



Thickness Range:
0.20~0.35mm



RECOMMEND PCB LAYOUT
TOLERANCE: ±0.05mm



Clip “0.35~0.50mm” H3.40mm

P/N: Z017-4G7C1-11000-E200

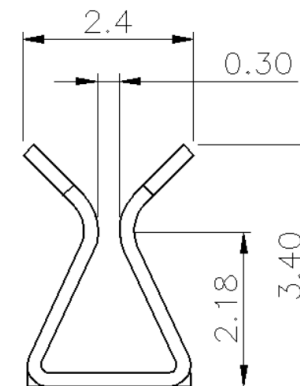
Material: Stainless Steel

Contact resistance: 100mΩ Max.

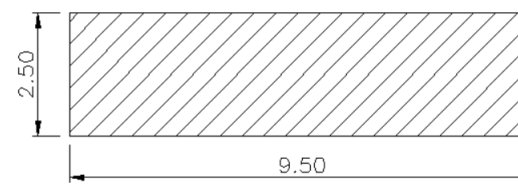
Lower Pressure: 0.5N±0.2N.

Use temperature range: -40°C~+105°C

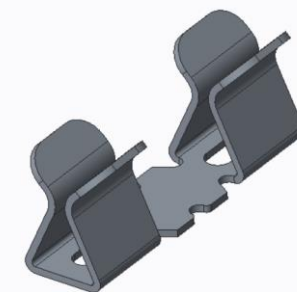
Packing: Tape Reel



Thickness Range:
0.35~0.50mm



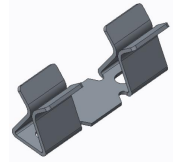
RECOMMEND PCB LAYOUT
TOLERANCE: ±0.05mm



Clip Solutions in Automotive

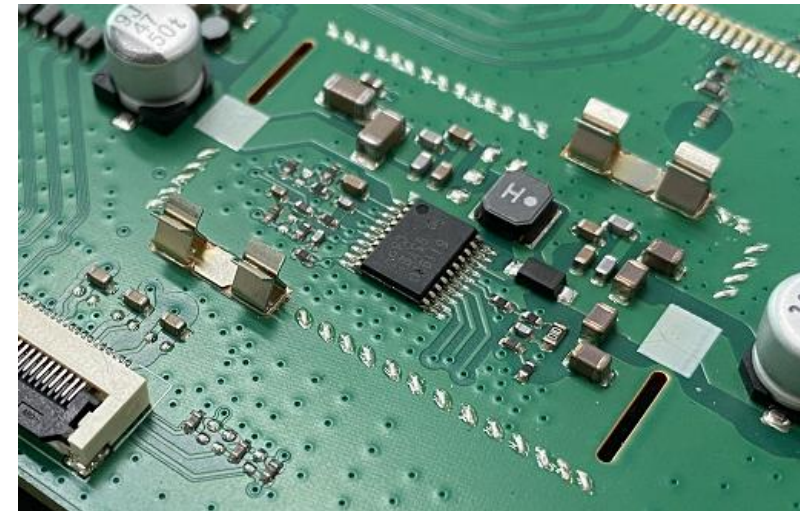
Program: CRS3.0

- End Customer: xx
- Application: Infotainment
- Product: Cable Clip
- TSY: xxx
- Business Type: Early Design In



Why we win?

- Meet SMT requirement
- Automatic production
- Reasonable pricing
- Quick Response for Solution, Inquiry Quote, Sample



Shields H10.18mm

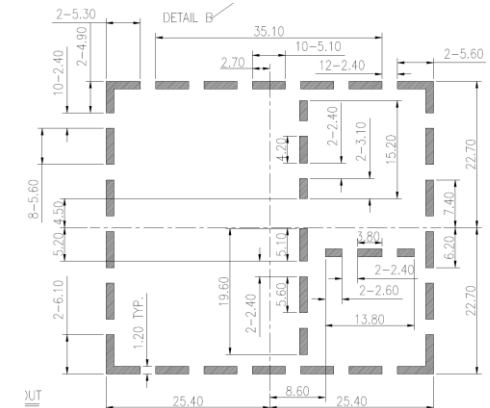
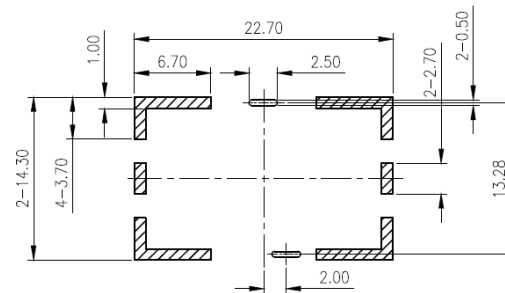
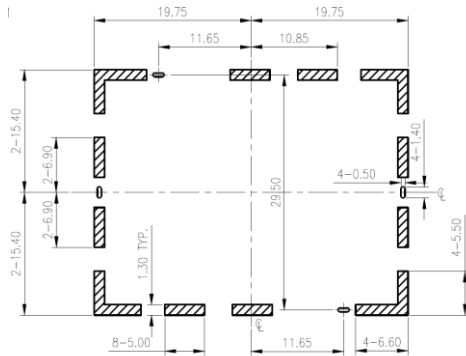
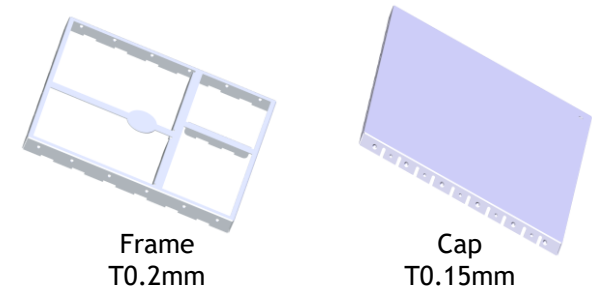
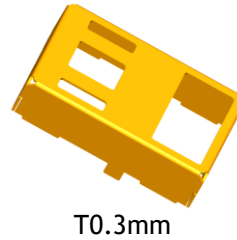
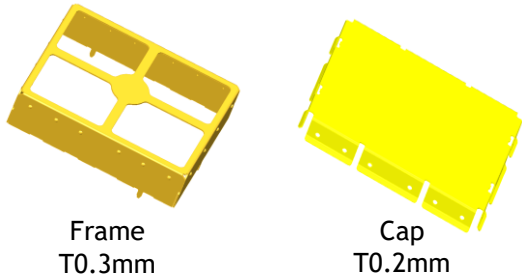
P/N: Z00W-4Y7W4-21000 + Z00W-4Y7W4-22000
 Material: Copper-Nickel-Zinc Alloy
 Length: 38.6mm
 Width: 29.9mm
 Use temperature range: -40°C~+105°C
 Packing: Tray

Shields H5.9mm

P/N: Z00Y-4Y7W4-21000
 Material: Copper-Nickel-Zinc Alloy
 Length: 22mm
 Width: 13.6mm
 Use temperature range: -40°C~+105°C
 Packing: Tray

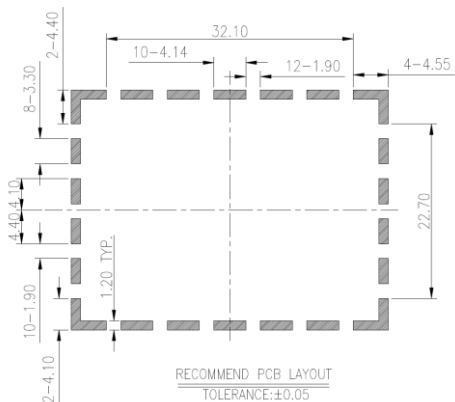
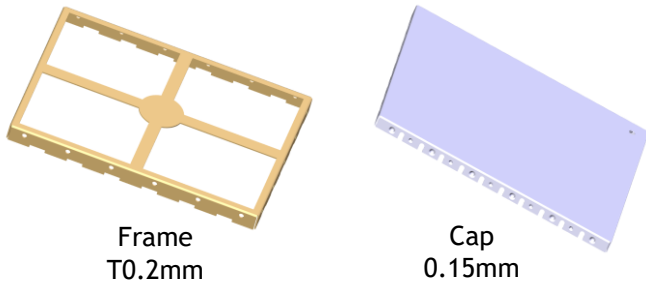
Shields H3.95mm

P/N: Z03C-4Z7W4-22000 + Z03B-4Z7W4-22000
 Material: Copper-Nickel-Zinc Alloy
 Length: 50.2mm
 Width: 44.8mm
 Use temperature range: -40°C~+105°C
 Packing: Tray



Shields H2.95mm

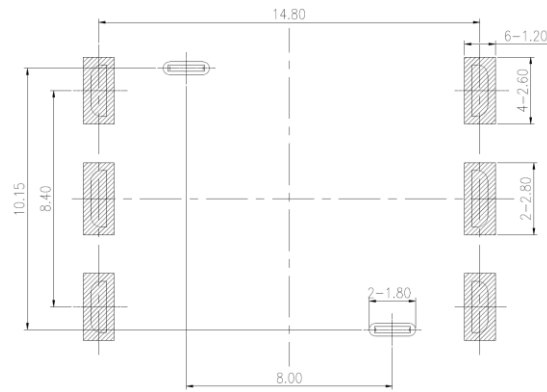
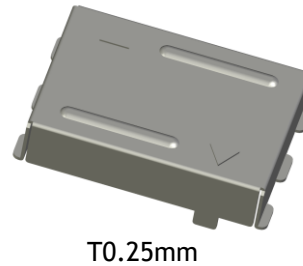
P/N: Z03E-4Z7W4-22000 + Z03D-4Z7W4-22000
 Material: Copper-Nickel-Zinc Alloy
 Length: 40.6mm
 Width: 30.6mm
 Use temperature range: -40°C~+105°C
 Packing: Tray



Recommended PCB layout

Shields H3.0mm

P/N: Z013-4B7A1-11000-E000
 Material: Copper Alloy
 Length: 14mm
 Width: 10.4mm
 Use temperature range: -40°C~+105°C
 Packing: Tape Reel



Recommended PCB layout

Program: CRS3.0

- End Customer: xx
- Application: Infotainment
- Product: EMC Shields
- TSY: xxx
- Business Type: Early Design In

Why we win?

- Meet SMT requirement
- Automatic production
- Reasonable pricing
- Quick Response for Solution, Inquiry Quote, Sample



Thank you!