

Amphenol

COMMUNICATIONS SOLUTIONS

FloatCombo™ Series

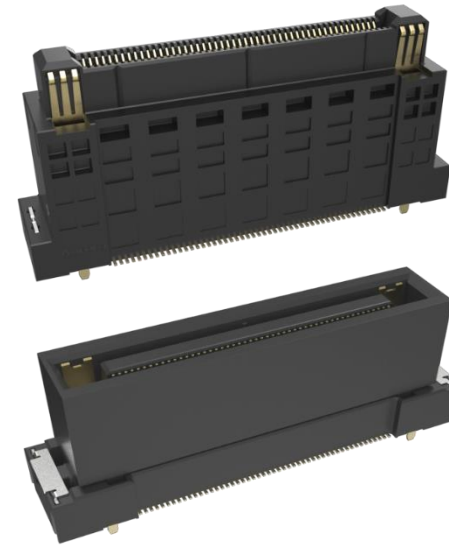
Nov. 2023

 **Amphenol**
AORORA







Stacking height: 8~15mm



Stacking height: 18~30mm

Specification	B329/B324	B329/B322	B329/B344	B329/B326	B04R/B06P	B04R/B13P	B04R/B07P	B04R/B04P
Pitch	0.5mm							
Mating Height	8.0mm	10.0mm	13.0mm	15.0mm	20.0mm	21.0mm	25.0mm	30.0mm
Pin count available	(20 ~ 140)	(20 ~ 140)	(20 ~ 140)	(20 ~ 140p)	(20 ~ 120p)	(20 ~ 120p)	(20 ~ 120p)	(20 ~ 120p)
Dielectric withstanding voltage	Signal 250V, Power 600V							
Opera. Temp.	-55 to 125 °C							
Vol & Current	50V, Signal 0.5A/pin, Power 5A*4pin							
Insulation resistance	100MΩ Min.							
Durability	100cycles							
Compliance	USCAR-2 T3V2							
Contact resistance	Signal PIN<60 mΩ, Power PIN<20mΩ				Signal PIN<70 mΩ, Power PIN<20mΩ			
Floating Allowance	X,Y±0.6mm; Z±0.5mm				X/Y: ±0.80mm, Z±0.60mm			
Mating/Unmating Force	1.0N Max. per PIN / 0.03N Min. per PIN				0.4N Max. per PIN / 0.05N Min. per PIN			
Transmission Rate	10.0 Gbps				PCIe Gen4 16Gbps			
Configurations	Parallel, SMT				Parallel, SMT+PIP			
Picture								

Floating BTB Connector

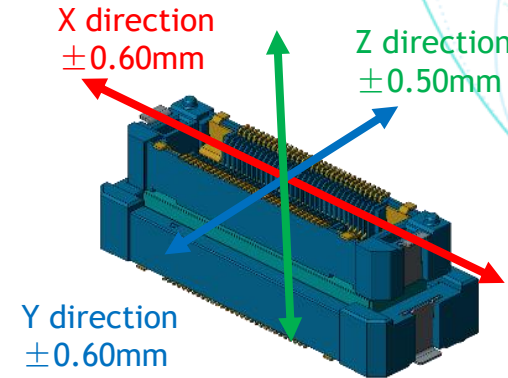
FloatCombo™ Series Pitch 0.5mm/SH8~15mm

Product Specification

- Pitch (mm) : 0.50mm
- Pin Count : 20-140p
- Layout L (mm) : (N-1)*0.5+15mm
- Layout W(mm) : 10.50mm
- Stacking Height(mm) : Available 8/10/13/15mm, range 8~15mm
- Floating range(mm) : X direction ± 0.6 mm
- Y direction ± 0.6 mm
- Z direction ± 0.5 mm
- Operating temperature : -55°C~125°C(Including T-Rise)
- Rating voltage : AC/DC 50V
- Rating current : 0.5A/pin
- Power current : 5A(Per power pin*4)
- Contact resistance : 60mΩ
- Insulation Resistance : DC 250V/60s/500MΩ
- Dielectric withstanding voltage : Signal 250V, Power 600V
- Transfer speed (Data rate): **10Gbps**
- Mating Force(N) : 1.0 Max./pin
- Unmating Force(N) : 0.03 Min./pin
- Mating Cycles : 100 times
- USCAR-2 : T3/V2

Targeted Segments

- Automotive (Cockpit Domain controller, ADAS/AD Domain Controller, HPC), LED Display, Medical Equipment

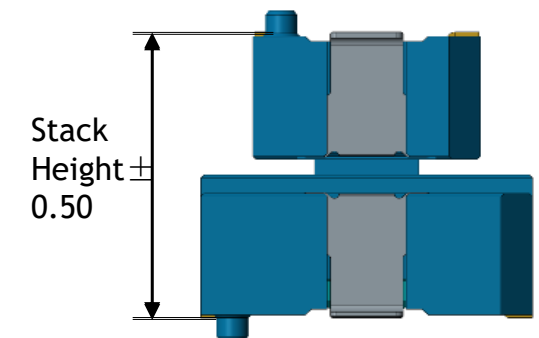


Plug B322/B324/B326/B344



Receptacle B329

Series	SH mm
B324/B329	8.0
B322/B329	10.0
B344/B329	13.0
B326/B329	15.0

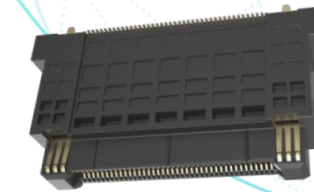
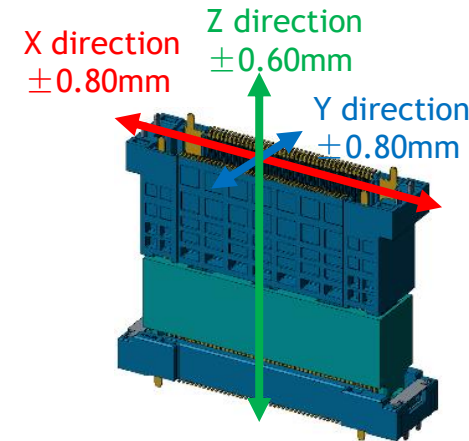


Floating BTB Connector

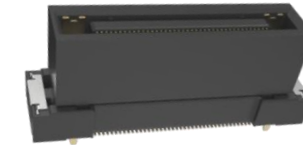
FloatCombo™ Series, Pitch 0.5mm/SH18~30mm

Product Specification

- Pitch (mm) : 0.50mm
- Pin Count : 20 - 120p
- Layout L (mm) : (N-1)*0.5+15mm
- Layout W(mm) : 10.50mm
- Stacking Height(mm) : Available 20/21/25/30mm, range 18~30mm
- Floating range(mm) : X direction ± 0.8 mm
- Y direction ± 0.8 mm
- Z direction ± 0.6 mm
- Operating temperature : -55°C~125°C(Including T-Rise)
- Rating voltage : AC/DC 50V
- Rating current : 0.5A/pin
- Power current : 5A(Per power pin*4)
- Contact resistance : Signal PIN<70 mΩ, Power PIN<20mΩ
- Insulation Resistance : 100MΩ
- Dielectric withstanding voltage : Signal 250V, Power 600V
- Transfer speed (Data rate): PCIe Gen 4 16Gbps
- Impedance resistance : 85 Ω or 100Ω
- Mating Force(N) : 0.4N Max./pin
- Unmating Force(N) : 0.05N Min./pin
- Mating Cycles : 100 times
- USCAR-2 : T3/V2



Plug B04P/B06P

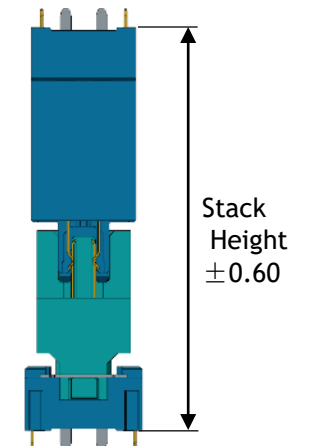


Receptacle B04R

Targeted Segments

- Automotive (Cockpit Domain controller, ADAS/AD Domain Controller, HPC)

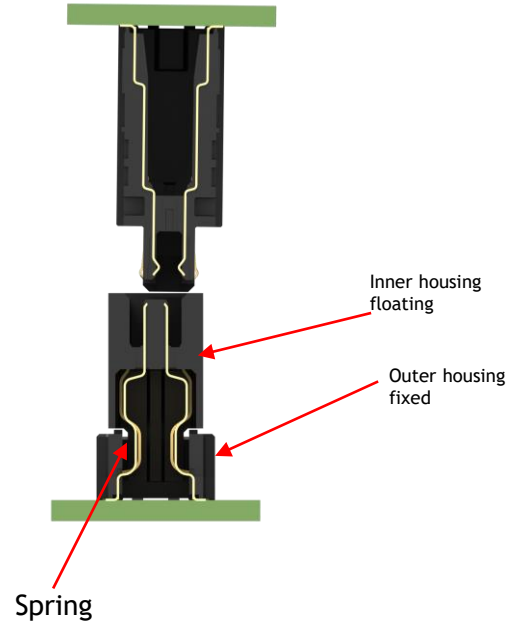
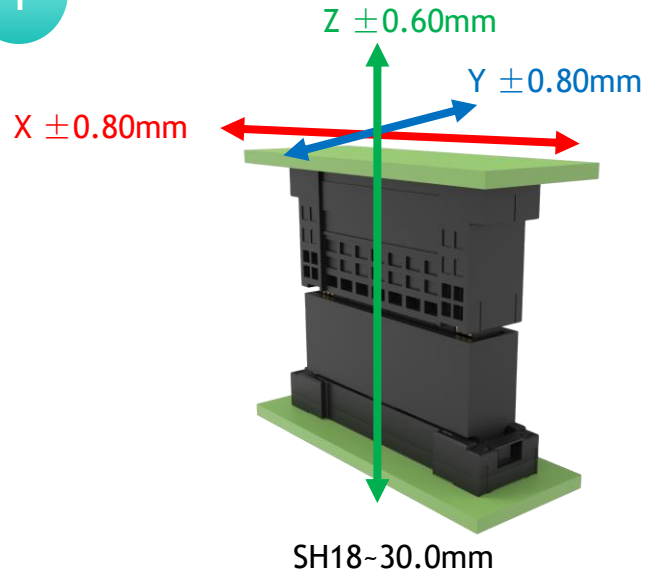
Series	SH mm
B04R/B06P	20.0
B04R/B13P	21.0
B40R/B07P	25.0
B04R/B04P	30.0



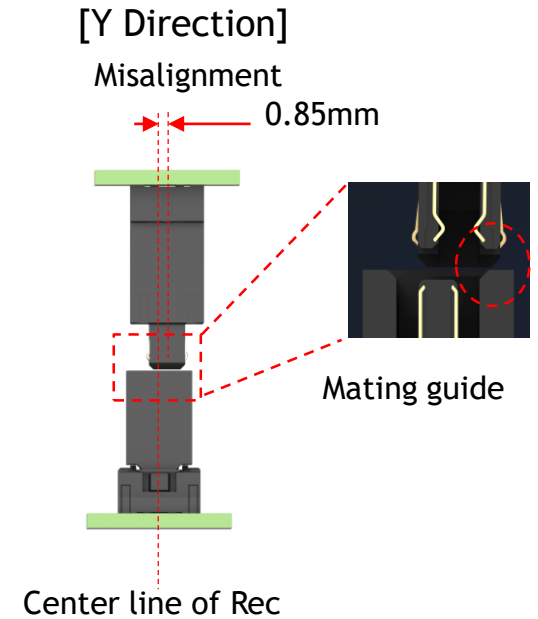
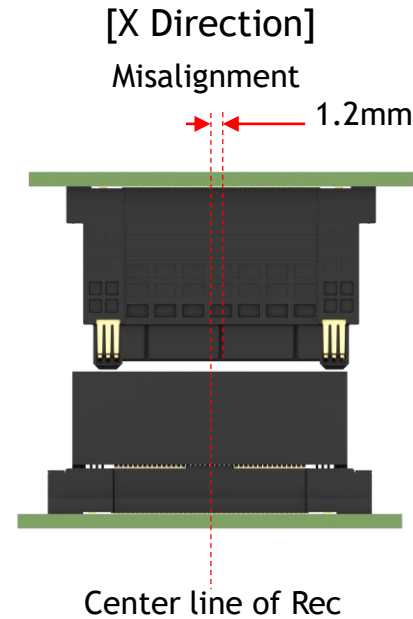
Amphenol Floating BtB Solution

Features and Advantages of FloatCombo™ Series

1



2



High Floating Allowance:

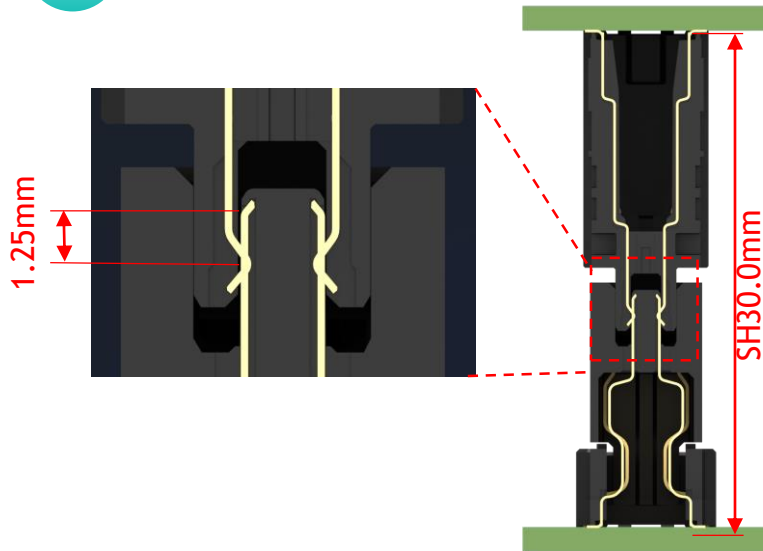
- Floating features reduce stress generated during use, ensuring long-term reliability
- SH \leq 15mm: X/Y $\pm 0.60\text{mm}$ & Z: $\pm 0.50\text{mm}$, SH18~30mm: X/Y $\pm 0.80\text{mm}$ & Z: $\pm 0.60\text{mm}$

Large size mating guide:

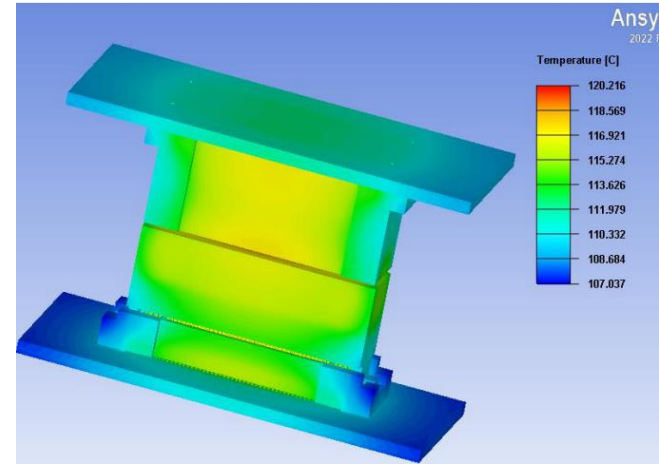
- Enables easier mating when center lines are not perfectly aligned with each other. Blind-mating is possible
- Supports automatic assembly, especially when multiple floating connectors are used on the same board
- SH \leq 15mm: X: $\pm 0.7\text{mm}$ & Y: $\pm 0.85\text{mm}$
SH18~30mm: X: $\pm 1.2\text{mm}$ & Y: $\pm 0.85\text{mm}$

Amphenol Floating BtB Solution Features and Advantages of FloatCombo™ Series

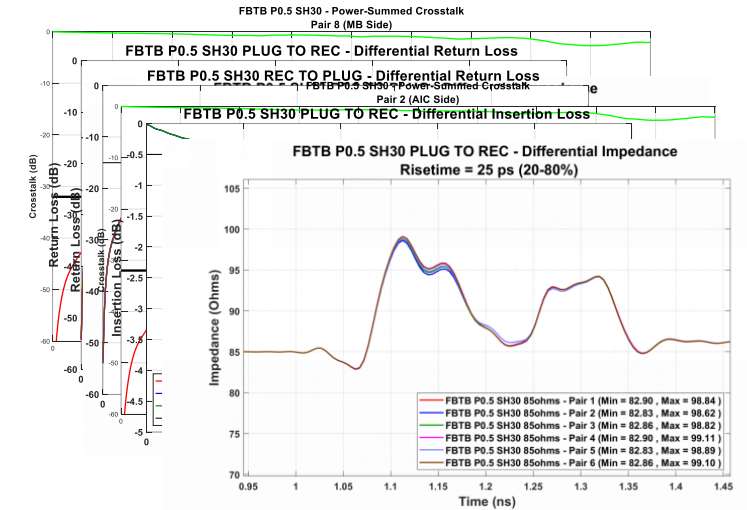
3



4



5



Long wiping length:

- Long wiping length ensures reliable contact between receptacle and plug
- SH_{≤15mm}: 1.28mm, SH_{18~30mm}: 1.25mm

High Current transmission:

- Signal PIN can pass 0.5A/pin
- Power PIN can pass 5A/pin
- Suitable for products that need to supply high current separately and saving pins

SI Simulation performance:

- Supports high-speed data rate up to **PCIe Gen4 (85ohm)**
- Meets general differential pair impedance resistance **100ohm**
- Suitable for high data, high-speed transmission applications

Target application/ Markets—Automotive

FloatCombo™ series is engineered to meet the immediate and future requirements of many automotive applications:

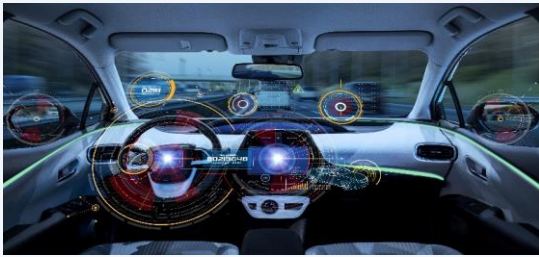
- ADAS/Autonomous driving(AD) sensor - LiDAR
- Head-up Display
- Cockpit/IVI(In-vehicle Infotainment) Domain Controller
- ADAS/AD Domain Controller
- HPC/Super Controller (Central Supercomputer)

FloatCombo™

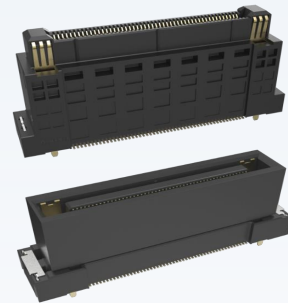
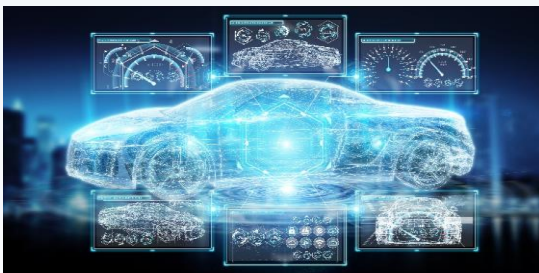


Find more products and resources on the FloatCombo™ webpage

Cockpit/IVI Domain Controller



HPC

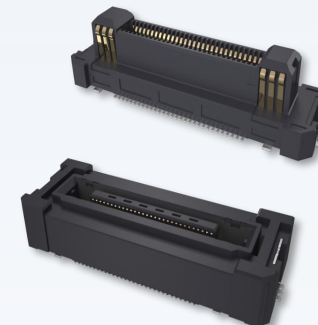


FloatCombo™ SH18~30mm

LiDAR



HUD



FloatCombo™ SH≤15mm

Target application/ Markets—Industrial

LED Monitor



LED Display



Automation- Robot Arm



FloatCombo™



Find more products and resources on the FloatCombo™ webpage

Thank you!

Amphenol
COMMUNICATIONS SOLUTIONS