

Amphenol

COMMUNICATIONS SOLUTIONS

Push-Pull IP67 Industrial IO Connectors NDH Series

ix Industrial

RJ45

Signal, Power and Hybrid

July 2022



**Commercial
Industrial**

Industrial Push-Pull value proposition

Indoor or Outdoor IO environments

- **Product**

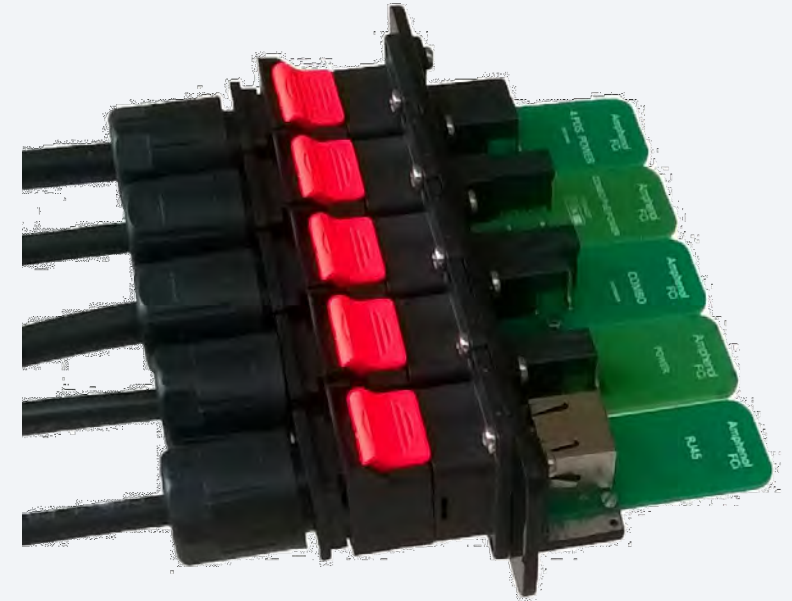
- A versatile and compact modular I/O system for indoor and outdoor use.
- Plug housing provides protected, locking mechanism for standard cable plugs.
- Panel mount bulkhead provides locking and sealing interface between plug housing and equipment.
- Allows use of standard IP20 receptacles on equipment side.
- Includes and expands on legacy VerIO™ products.

- **Key features**

- Weather-proof: IP67 in when mated, UV resistant.
- Push-pull latching and locking.
- Robust, light weight and cost-effective .
- Small, uniform form factor.
- Multiple standard connector interfaces.
- Plug cable assembly or field terminable kit option.

- **Interface Range**

- ix Industrial, RJ45 Ethernet, Signal, Power, Hybrid

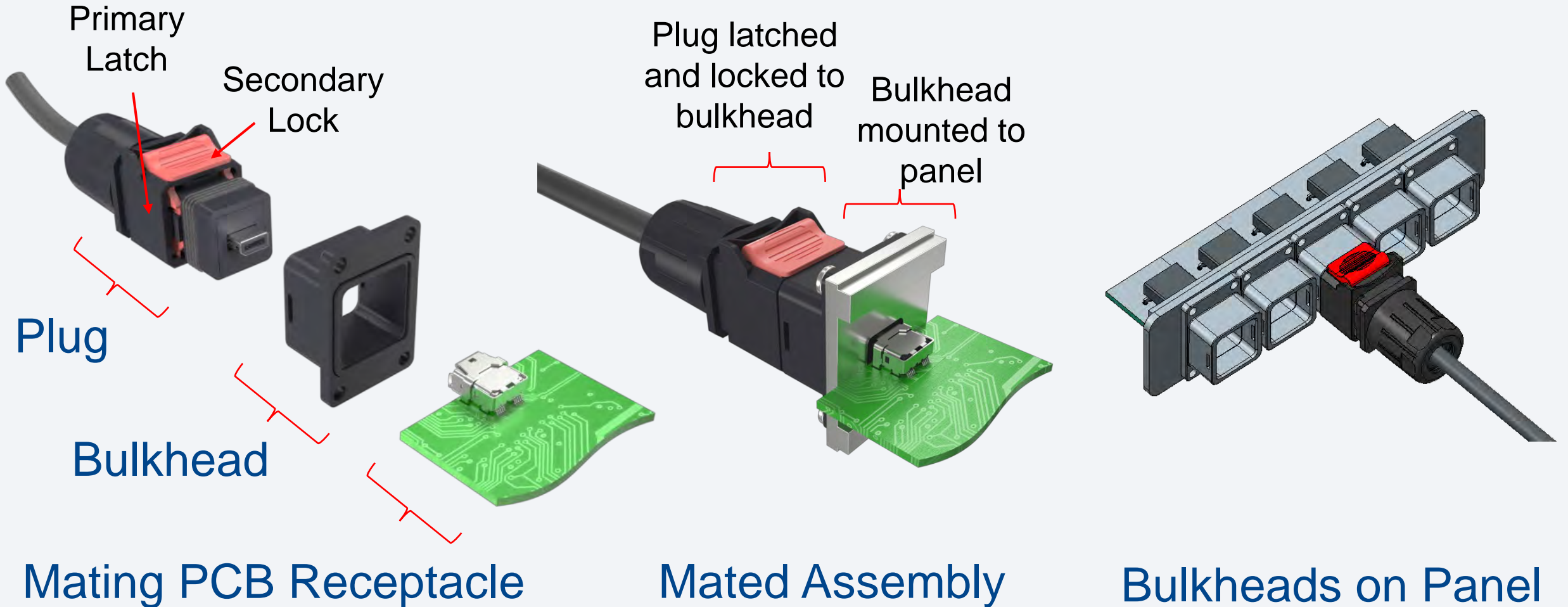


Industrial Push-Pull

Key Features and Benefits

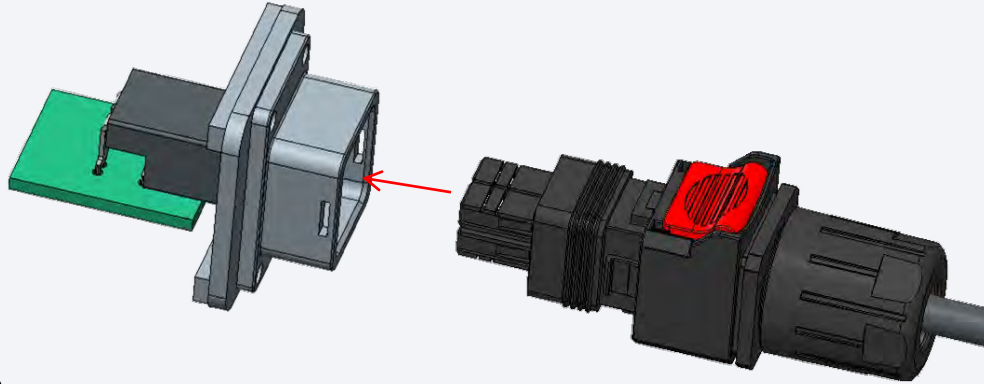
FEATURE	BENEFIT
IP6X sealed	Protects the mated interface and equipment from dust and water ingress
2 Stage locking latch	Lock engages to prevent unlatching for extra security
Robust, ergonomic design	Impact and vibration resistant; easy to operate
Small, lightweight form factor	Minimal space required in both vertical and horizontal directions; easy to install and use and does not add excess weight to equipment
Mates to IP20 receptacle	Easy integration for designers
Cable termination	Field installable or factory certified cable assembly

Industrial Push-Pull Product Overview

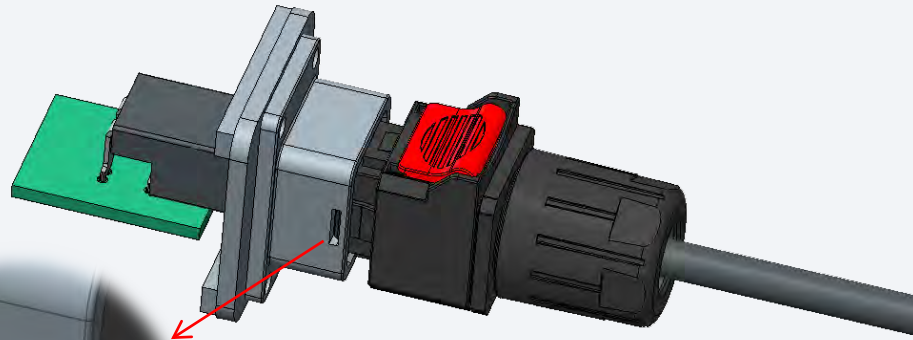


Industrial Push-Pull Mating Sequence

1 Mate Plug to the Bulkhead

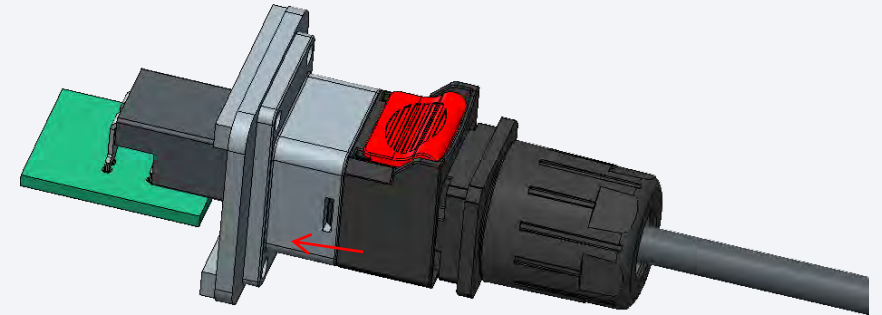


2 Push home to mate connectors

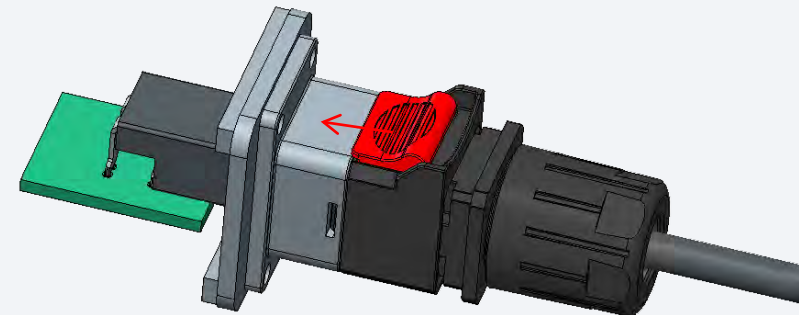


Plug Latches Align with Bulkhead Slots

3 Slide the primary lock into position



4 Slide the secondary lock into position



- Plug housing includes ix Industrial plug compliant with IEC 61076-3-124
- Mates with ix Industrial IP20 right angle pcb receptacle
- A and B key configurations available
- Fully shielded, performance to Cat6A
- Fully assembled Cables available in standard and user-defined lengths
- Fully IP67 in mated condition
- Fully PoE++ compliant to IEEE 802.3bt



Industrial Push-Pull RJ 45 interface

- Plug housing compatible with any RJ45 cable assembly
- Mates with RJ 45 tab down right angle pcb receptacle
- Performance up to Cat6A
- Fully assembled Cables available in standard and user-defined lengths
- Field installable Plug Housing for existing cables
- Fully IP67 in mated condition
- Fully PoE++ compliant to IEEE 802.3bt



Industrial Push-Pull Power Contact Interface

- 2, 3 or 4 position configurations
- Plug mates with right angle pcb mount connector
- Up to 20 Amps per contact 14AWG
or 16 Amps per contact 16AWG at 300VAC
- Fully assembled Cables available in standard
and user-defined lengths
- Field terminable plugs available
- Hand tools for field termination available



Industrial Push-Pull Signal Contact Interface

- Cat5e Ethernet signal performance over 4 pairs (8 contacts)
- 10 and 12 position versions also available
- Current rating 1.5A, PoE+ capable
- Plug mates with Right angle pcb mount connector
- Dielectric Withstanding Voltage 2000V
- Clearance and creepage distances ANSI compliant
- Multiple contact loading configurations available
- IDC termination to solid wire 30-28 AWG and 26-24 AWG
- Fully assembled Cables available in standard and user-defined lengths
- Field terminable plugs available



Industrial Push-Pull Hybrid Power/Signal Contact Interface

- High performance hybrid : signal & power
- Data (Cat 5e, Cat 6) and 2 DC power
- Plug mates with Right angle pcb mount connector
- 8 signal contacts current rating 1.5A per contact
- 2 power contacts current rating 20ADC per contact
- Dielectric Withstanding Voltage 2000V
- Clearance and creepage distances ANSI compliant
- Fully assembled Cables available in standard and user-defined lengths
- Field terminable plugs available



- Some signal, power and hybrid versions were originally released under the VerIO™ name.
- Full cross reference list to previous VerIO™ part numbers is available.
- Please contact your Amphenol sales representative for further details



**Commercial
Industrial**

Amphenol
COMMUNICATIONS SOLUTIONS