

Amphenol

COMMUNICATIONS SOLUTIONS

Quickie®

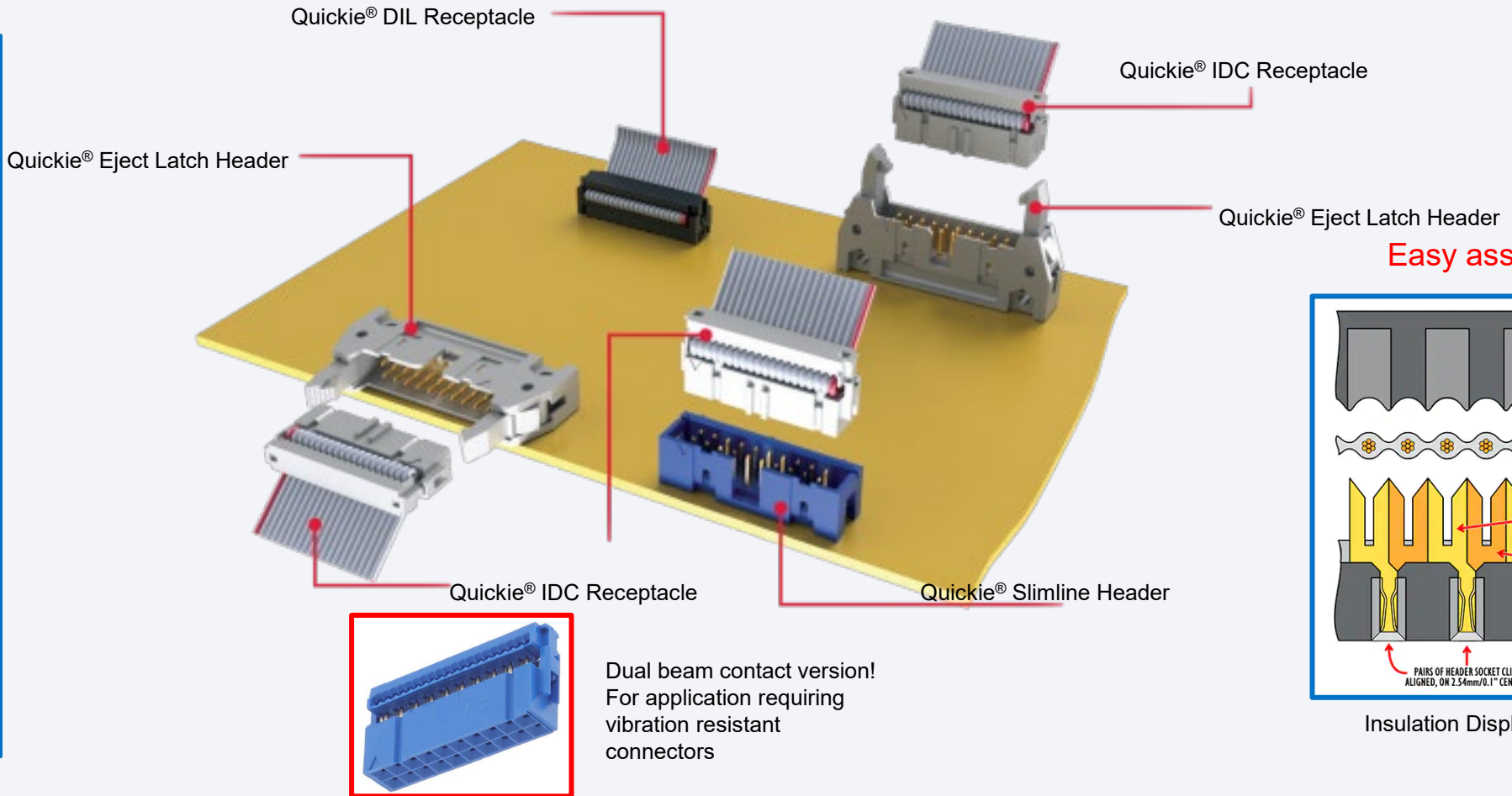
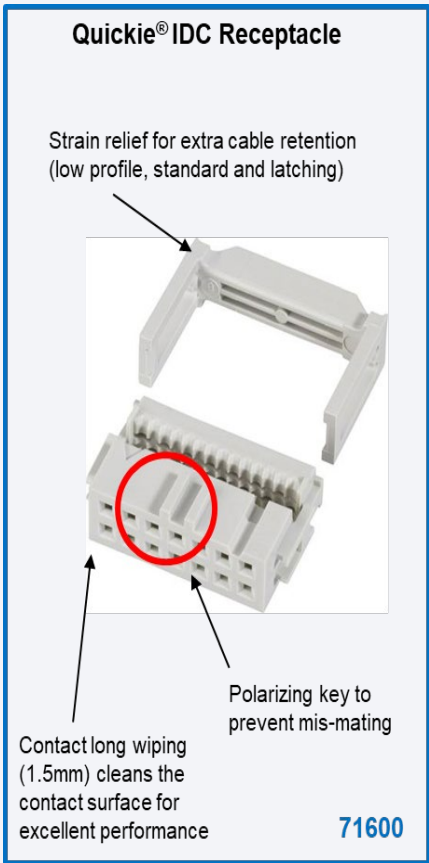
Product Presentation

 **FCi Basics**

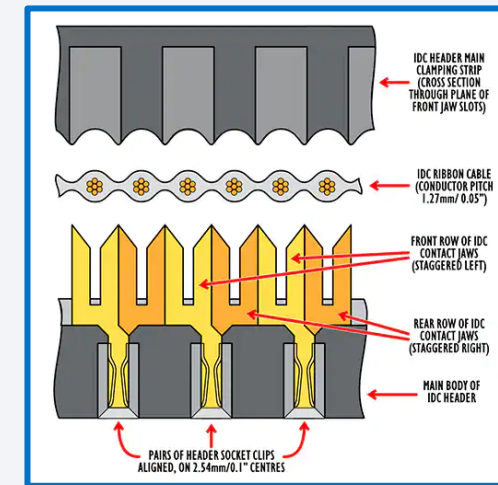


- Quickie® is the industry proven standard interconnect system for flat ribbon cable to board connections on 2.54mm pitch
- Quickie® is a dual row system, offering 6 up to 64 positions
- Quickie® selective gold plating performances guarantees 100 mating cycles
- Quickie® Headers offer 4 walls to protects pins in unmated condition and prevent misalignment
- The pre-loaded adjustable bridge-type cover of the Quickie® IDC / DIL Receptacle reduces assembly time, protects contacts and ensures a reliable termination

Quickie® Product Overview



Easy assembly!



Insulation Displacement Contact

- Modular system with reliable dual beam contact system
- Highly configurable: TMT; SMT; THR; PF..
- Designed durability in operating environments up to 125°C (part dependent)
- Positions: 6 – 64
- Current rating headers : 3 Amps per pin all pin powered
- Current rating IDC connector : 1 Amps per pin, with all pin powered

Quickie® IDC

Material

- Housing: Thermoplastic, Grey
- Flammability Rating: UL94V-0
- Contact: Phosphor-bronze
- Plating: 0.76µm Gold or GXT® on contact, Tin on solder Tail

Environmental

- Operating Temperature: -65°C to +105°C

Electrical Performance

- Current Rating: 1A continuous
- Insulation Resistance: 1 x 105MΩmin.
- Contact Resistance: 15mΩ max.
- Dielectric Withstanding Voltage: 1000Vrms min.

Mechanical Performance

- Durability: 100 mating cycles
- Wire Gauge: 30 to 28 AWG

Quickie® DIL Receptacle

Material

- Housing: Thermoplastic, Grey
- Flammability Rating: UL94V-0
- Contact: Phosphor-bronze
- Plating: Full Tin

Environmental

- Operating Temperature: -65°C to +105°C

Electrical Performance

- Current Rating: 1A continuous
- Insulation Resistance: 1 x 105MΩmin.
- Contact Resistance: 15mΩ max.
- Dielectric Withstanding Voltage: 750Vrms min.

Mechanical Performance

- Durability: 100 mating cycles
- Wire Gauge: 30 to 28 AWG

Quickie® Slimline and Eject Latch Headers

Material

- Housing: Thermoplastic, Grey, Black or Blue
- Flammability Rating: UL94V-0
- Contact: Phosphor-bronze
- Plating: 0.76µm / 0.38µm Gold or GXT® on contact, Tin on solder Tail

Environmental

- Operating Temperature: -65°C to +125°C

Electrical Performance

- Current Rating: 3A continuous
- Insulation Resistance: 1 x 105MΩmin.
- Dielectric Withstanding Voltage: 500Vrms min.

Mechanical Performance

- Pin Retention to Housing: 20N min.

Quickie® Features and Benefits

Features	Benefits
Four-walled shrouded headers	Protect pins in unmated condition and prevents misalignment
Low profile headers with side window	Enables unique locking through latching strain relief
Selective plated pins of headers	Cost efficient, while maintaining excellent performance
Eject latch headers unique lock and eject system	Minimizes PCB space required and allowing dense packaging design
Single beam IDC and DIL receptacle contact with long wiping action	Ensures good contact and excellent electrical performance during long field life (100 mating cycles)
According to DIN 41651, HE10 and BT D2632	Industry qualified, proven products

Quickie® Part number

Type
Vertical, TMT

Base part number
69830

Quickie® DIL Receptacle

Type
IDC receptacle

Base part number
71600

Quickie® Eject Latch Header

Type
Vertical, TMT
Vertical, Press-Fit
Right-Angle TMT

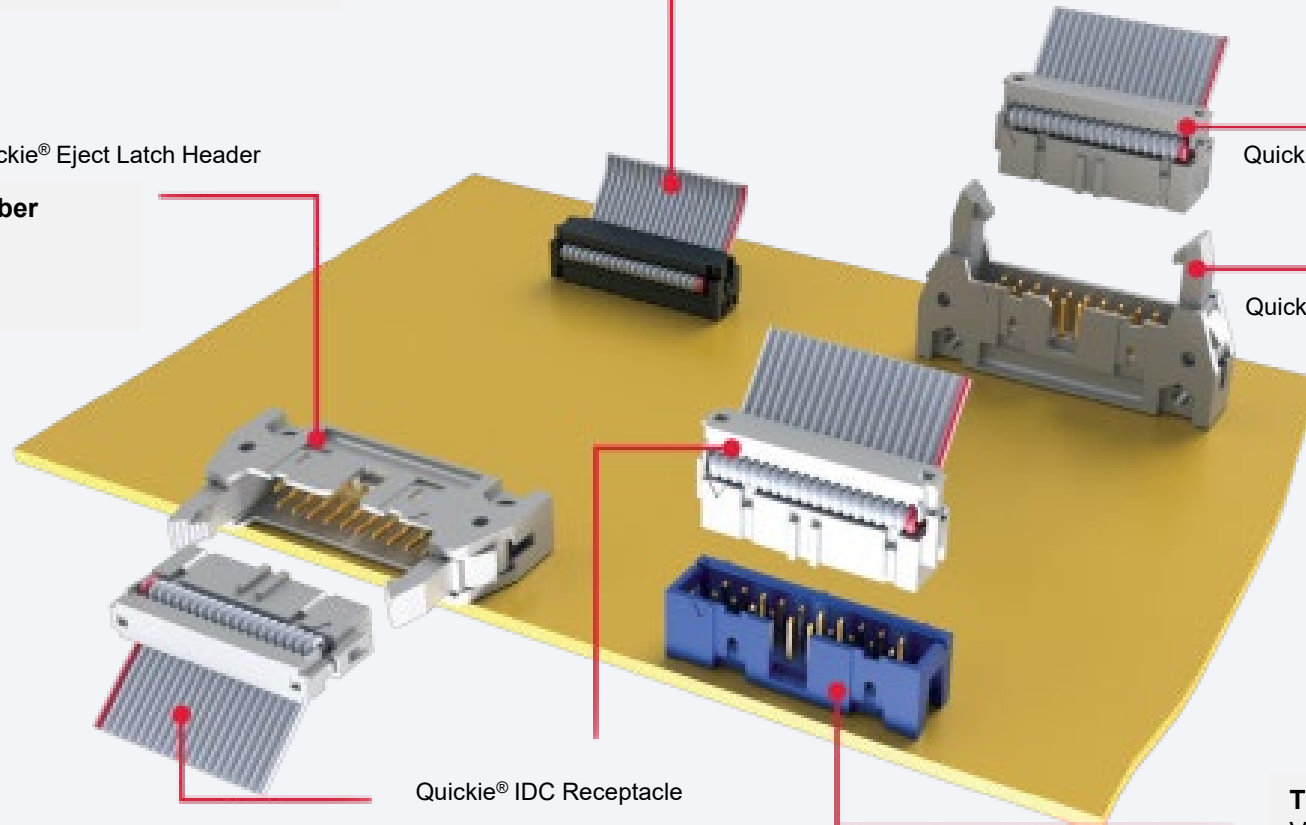
Base part number
71918
10080054
71922

Quickie® IDC Receptacle

Quickie® Eject Latch Header

Type
Vertical, TMT
Vertical, Press-Fit
Right-Angle TMT

Base part number
71918
10080054
71922



Quickie® IDC Receptacle

Quickie® Slimline Header

Type number
IDC receptacle

Base part
71600



Type

Vertical, TMT
Vertical, SMT
Vertical, PIP
Vertical, Press-Fit
Right-Angle, TMT
Right-Angle, PIP

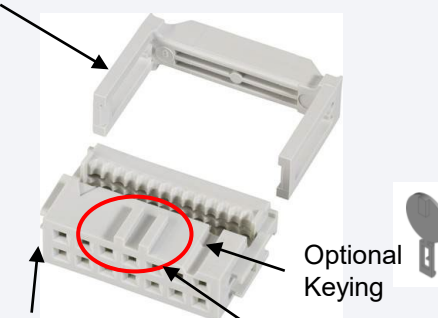
Base part number

75869
52601
10056844
10073456
75867
10056845

Quickie® 2.54mm IDC - Ribbon Cable to Board System

Quickie® IDC Receptacle
"Quickie® III"


Strain relief for extra cable retention



Optional Keying

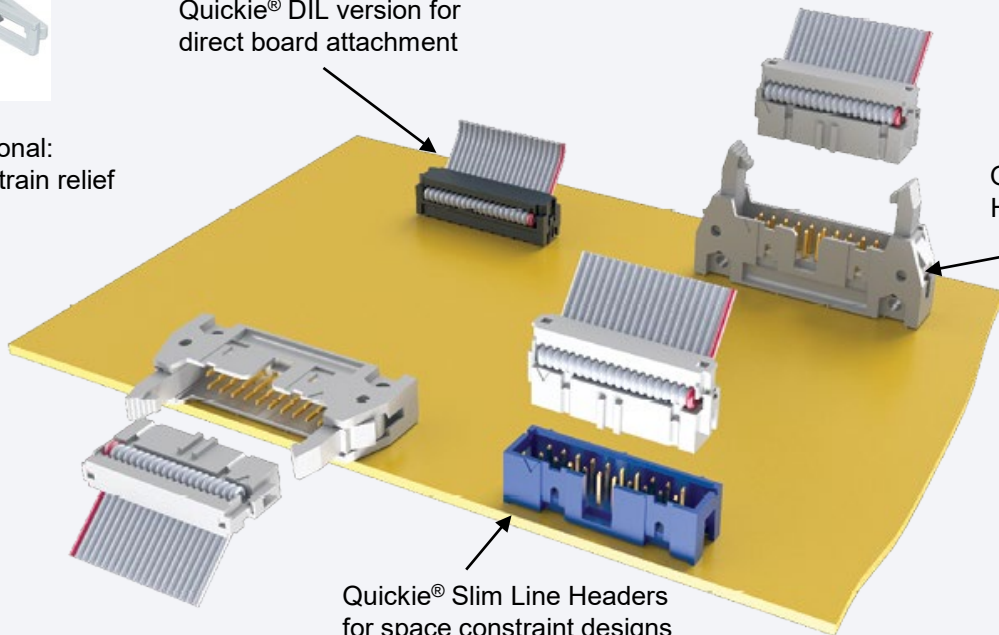
Contact long wiping (1.5mm) cleans the contact surface for excellent performance

Polarizing key to prevent mis-mating



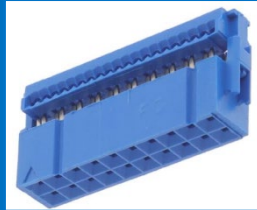
Quickie® DIL version for direct board attachment

Optional: latching strain relief



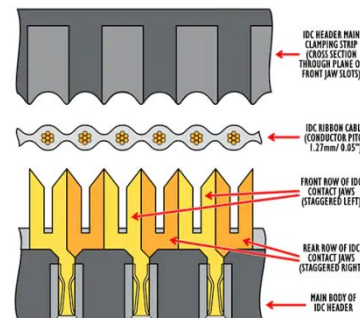
Quickie® Eject Latch Headers for easy un-mating

Quickie® Slim Line Headers for space constraint designs



Quickie® II
Dual beam contact version!
For application requiring vibration resistant connectors

Easy assembly!



IDC HEADER MAIN CLAMPING STRIP (CROSS SECTION THROUGH PLANE OF FRONT JAW SLOTS)

IDC RIBBON CABLE (CONDUCTOR PITCH 1.27mm (0.05"))

FRONT ROW OF IDC CONTACT JAWS (STAGGERED LEFT)

REAR ROW OF IDC CONTACT JAWS (STAGGERED RIGHT)

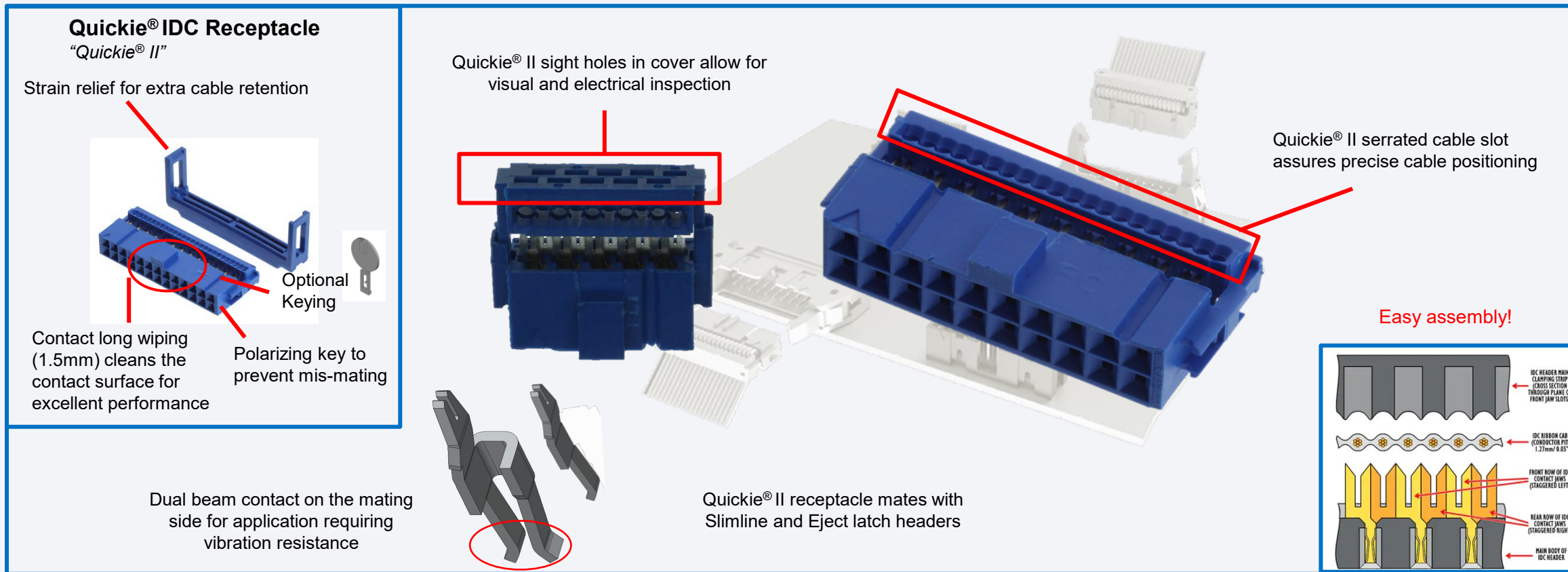
MAIN BODY OF IDC HEADER

- Double row Insulation Displacement Contact (IDC) system
- TMT, SMT. Press-Fit and THR headers
- Industry qualified DIN 41651, HE10 and BT D2632
- Positions: 4 - 64
- Current rating: 1A/pin, with all pin powered
- Durability: 100 mating cycles

Resources:

- [Landing page](#)
- [Presentation](#)

Quickie® II 2.54mm IDC - Ribbon Cable to Board System – High Performance



- Double row Insulation Displacement Contact (IDC) system
- Dual beam contact system for excellent vibration resistance
- Compatible with MIL-C83503

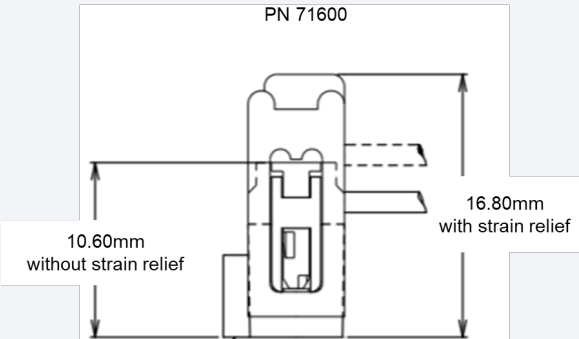
- Positions: 4 - 64
- Current rating: 1A/pin, with all pin power
- Durability: 100 mating cycles

Resources:

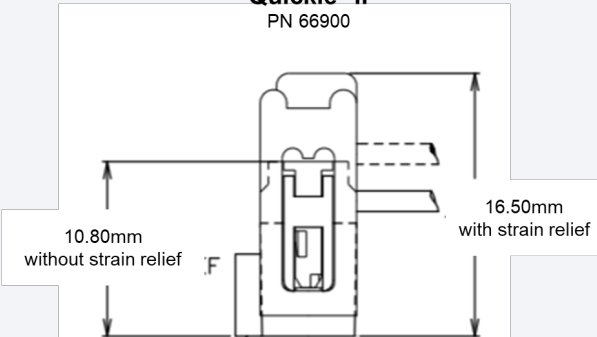
- [Landing page](#)
- [Presentation](#)



Quickie® III and II Comparison

Quickie® III
PN 71600



Quickie® II
PN 66900

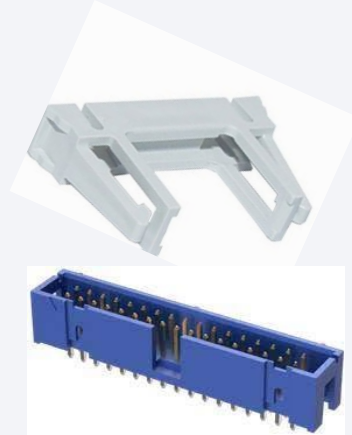
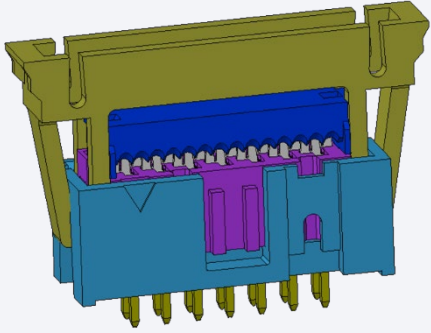


differences	Quickie® III	Quickie® II
Quickie with Center Key		
Partnumbers		
With Standard Strain Relief	71600-0xx	66900-2xx
<i>height</i>	<i>16.8mm</i>	<i>16.5mm</i>
Without Strain relief	71600-1xx	66900-3xx
<i>height</i>	<i>10.6mm</i>	<i>10.8mm</i>
XX: total number of positions		
Material		
Housing: Thermoplastic	Grey	Blue
Flammability Rating	UL94V-0	UL94V-0
Contact:	Phbr	Phbr
	<i>single beam</i>	<i>dual beam</i>
Plating	0.76um Gold	0.76um Gold
Environmental		
Operating Temperature	-65C to +105C	-65C to +105C
Electrical Performance		
Current Rating	1A	1A
Insulation resistance	50000 MOhm min	50000 MOhm min
Contact resistance	15mOhm max	15mOhm max
Dielectric Withstanding Voltage	1000Vrms min.	1000Vrms min.
Mechanical Performance		
Durability	100 Cycles	100 Cycles
Wire Gauge	30-28 AWG	30-28 AWG
Contact insertion force		2.25N max
Contact retention force		0.25N min.
Approvals		MIL-C-83503

Cross-Reference

Description	Positions	Quickie® III	Quickie® II
IDC Receptacle with strain relief	10	71600-010LF	66900-210LF
IDC Receptacle with strain relief	14	71600-014LF	66900-214LF
IDC Receptacle with strain relief	16	71600-016LF	66900-216LF
IDC Receptacle with strain relief	20	71600-020LF	66900-220LF
IDC Receptacle with strain relief	24	71600-024LF	66900-224LF
IDC Receptacle with strain relief	26	71600-026LF	66900-226LF
IDC Receptacle with strain relief	30	71600-030LF	66900-230LF
IDC Receptacle with strain relief	34	71600-034LF	66900-234LF
IDC Receptacle with strain relief	40	71600-040LF	66900-240LF
IDC Receptacle with strain relief	44	71600-044LF	66900-244LF
IDC Receptacle with strain relief	50	71600-050LF	66900-250LF
IDC Receptacle with strain relief	60	71600-060LF	66900-260LF
IDC Receptacle without strain relief	10	71600-110LF	66900-310LF
IDC Receptacle without strain relief	14	71600-114LF	66900-314LF
IDC Receptacle without strain relief	16	71600-116LF	66900-316LF
IDC Receptacle without strain relief	20	71600-120LF	66900-320LF
IDC Receptacle without strain relief	24	71600-124LF	66900-324LF
IDC Receptacle without strain relief	26	71600-126LF	66900-326LF
IDC Receptacle without strain relief	30	71600-130LF	66900-330LF
IDC Receptacle without strain relief	34	71600-134LF	66900-334LF
IDC Receptacle without strain relief	40	71600-140LF	66900-340LF
IDC Receptacle without strain relief	44	71600-144LF	66900-344LF
IDC Receptacle without strain relief	50	71600-150LF	66900-350LF
IDC Receptacle without strain relief	60	71600-160LF	66900-360LF

- Latching Strain Relief



Quickie® IDC Receptacle offer also latching with Quickie® Slimline Header using a Latching Strain Relief P/N 71961 (separate) or 71600-6xxLF (included with IDC receptacle)

- Polarizing key



P/N 67020

- Polarizing plug



P/N 65307

- Press Fit termination



Quickie Super Slim
P/N 10073456



Quickie Eject latch
P/N 10080054

- Dual beam receptacle Quickie II
(for higher performance requirements like vibration)



Serated cable slot
in cover: assures
precise cable
positioning

P/N 66900

- Partial or full terminals loading on headers
(on demand)

Industrial

- Industrial Automation
- Instrumentation
- Medical
- Gaming
- Vending Machines

IT/Datacom

- Servers
- Communication Equipment

Automotive

- Electronic Control Systems

- [Datasheet](#) Quickie® Slimline and Eject Latch Headers TMT
- [Datasheet](#) Quickie® Slimline Header THR (pin in paste)
- [Datasheet](#) Quickie® Slimline and Eject Latch Header Press-Fit

- [Product Specification](#) Quickie® DIL Receptacle (BUS-110-019)
- [Product Specification](#) Quickie® Connector System (BUS-12-082)
- [Product Specification](#) Quickie® Connector System (BUS-12-095)

- [Website](#) Quickie® Connector System

Thank You

Amphenol
COMMUNICATIONS SOLUTIONS

 **FCi Basics**