

Millipacs® 2mm Hard Metrics Series – Right Angle Header Connectors

FLEXIBLE AND HIGH PERFORMING HEADER MODULES

Amphenol's FCI Basics Millipacs® Hard Metric Right Angle Header Modules are available in all popular versions and is designed for applications requiring co-planar board-to-board connection within the normal Hard Metric environment.

- Variety of pin layout configurations are available
- Suitable for Extender or Test Card designs
- Housings are with cable latch lock feature
- Custom contact loading patterns are available



FEATURES

- Millipacs® right angle connectors are offered in Types A, B, C, B19, B22, AB22 and AB25
- Housings are with cable latch lock feature
- Custom contact loading patterns are available
- Suitable for Extender or Test Card designs

BENEFITS

- Wide variety of options
- Allows mating to receptacle cable connectors
- Suits different system requirements
- Suits different designs

TECHNICAL INFORMATION

PERFORMANCE CHARACTERISTICS

- Operating Temperature Range: -55°C to +125°C
- Operating current:
 - 1.5A at 20°C
 - 1.0A at 70°C
- Contact Resistance: 20mΩ max.
- Insulation Resistance: 10⁴MΩ min.
- Mating Force: 0.75N max. per contact pair

IMLA PATTERNS/COMBINATIONS

OVERVIEW

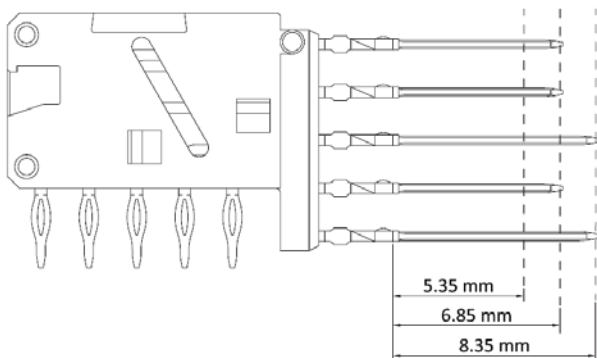
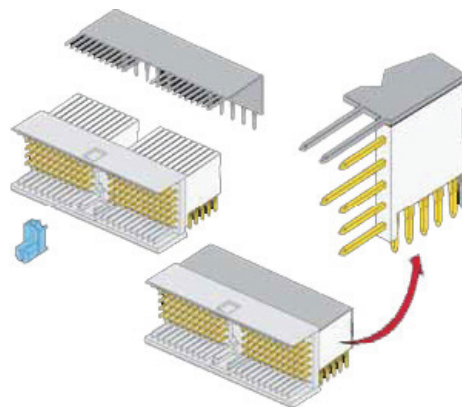
Right angle connectors are based on IMLA based contact assembly process. IMLAs are assembled vertically to the housing as shown in the picture.

Terminal length of the IMLA is 3.7mm and with eye of needle press-fit.

Pin section is 0.4 * 0.5mm.

IMLA s are available in three different contact mating lengths

- Code no. 4 – 5.35mm
- Code no. 5 – 6.85mm
- Code no. 6 – 8.35mm



0	0	0	0	0	0	0	0	0
4	5	5	5	5	5	5	6	4
4	5	5	6	4	4	5	6	4
4	5	6	5	5	5	6	6	5
4	5	5	5	5	4	5	5	4
4	5	5	5	5	5	6	6	4
0	0	0	0	0	0	0	0	0
#1	#2	#3	#4	#5	#6	#7	#8	#9

Nine different combinations are supported with these 3 contact mating lengths.

MATING PRODUCTS

No. of Signal Rows	Header			Mating Receptacle/Cable Connector	
	Type	Part Numbers	Pin Orientation	Part Numbers	Pin Orientation
5	Type A	HM2J07PE..	Right angle	HM2R01P /HM2R10P	Right Angle Receptacle
				HM2S01P /HM2S10P	Vertical Receptacle
	Type B	HM2J08PE..	Right angle	HM2R02P	Right Angle Receptacle
				HM2S02P	Vertical Receptacle
	Type B22	HM2J70PE..	Right angle	HM2R70P	Right Angle Receptacle
				HM2S70P	Vertical Receptacle
	Type B19	HM2J71PE..	Right angle	HM2R71P	Right Angle Receptacle
				HM2S71P	Vertical Receptacle
	Type AB22	HM2J66PE..	Right angle	HM2R66P	Right Angle Receptacle
	Type AB25	HM2J65PE..	Right angle	HM2R67P	Right Angle Receptacle
				HM2S30P	Right Angle Receptacle
	Type C	HM2J09PE..	Right angle	HM2R03P /HM2R30P	Right Angle Receptacle
				HM2S30P	Vertical Receptacle

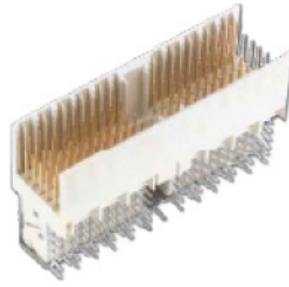
Find part number details using the search box on www.amphenol-cs.com

TYPE A HEADER WITH 110 SIGNALPINS

OVERVIEW

Millipacs® Type A right angle header connector provides 110 signal contacts in a 5 row configuration with press-fit termination.

Type A connectors has integrated multi purpose centre for polarization and coding. Connectors are with cable latch lock feature and with optional top shielding.

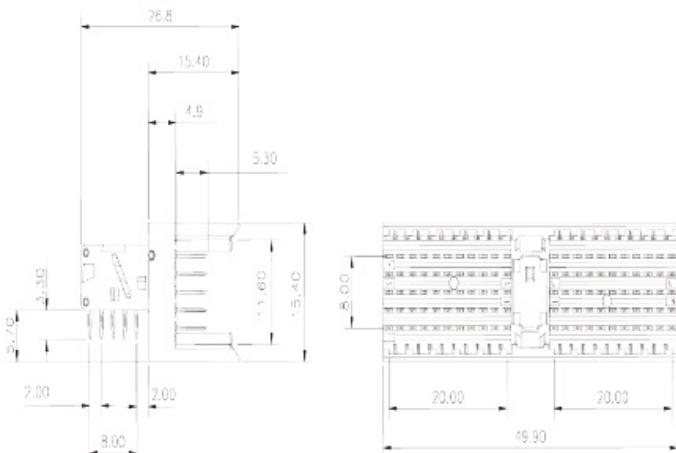


LOADING PATTERNS SUPPORTED

Standard Loading pattern
HM2J07PE5110N9LF

F	0	0	0	0	0	0	0	0	0	0	0	0	0	0	0	0	0	0	0	0	0	0	0	0	0	0	0	0	0	0	0	0	0	0	0	
E	4	4	4	4	4	4	4	4	4	4	4	4	4	4	4	4	4	4	4	4	4	4	4	4	4	4	4	4	4	4	4	4	4	4	4	4
D	4	4	4	4	4	4	4	4	4	4	4	4	4	4	4	4	4	4	4	4	4	4	4	4	4	4	4	4	4	4	4	4	4	4	4	4
C	4	4	4	4	4	4	4	4	4	4	4	4	4	4	4	4	4	4	4	4	4	4	4	4	4	4	4	4	4	4	4	4	4	4	4	4
B	4	4	4	4	4	4	4	4	4	4	4	4	4	4	4	4	4	4	4	4	4	4	4	4	4	4	4	4	4	4	4	4	4	4	4	4
A	4	4	4	4	4	4	4	4	4	4	4	4	4	4	4	4	4	4	4	4	4	4	4	4	4	4	4	4	4	4	4	4	4	4	4	4
Z	0	0	0	0	0	0	0	0	0	0	0	0	0	0	0	0	0	0	0	0	0	0	0	0	0	0	0	0	0	0	0	0	0	0	0	0
	1	2	3	4	5	6	7	8	9	10	11	12	13	14	15	16	17	18	19	20	21	22	23	24	25											

Custom loading patterns are available up on request.



TYPE C HEADER WITH 55 SIGNAL PINS

OVERVIEW

Millipacs® Type C right angle header connector provides 55 signal contacts in a 5 row configuration with press-fit termination.

Connectors are with cable latch lock feature and with optional top shielding.



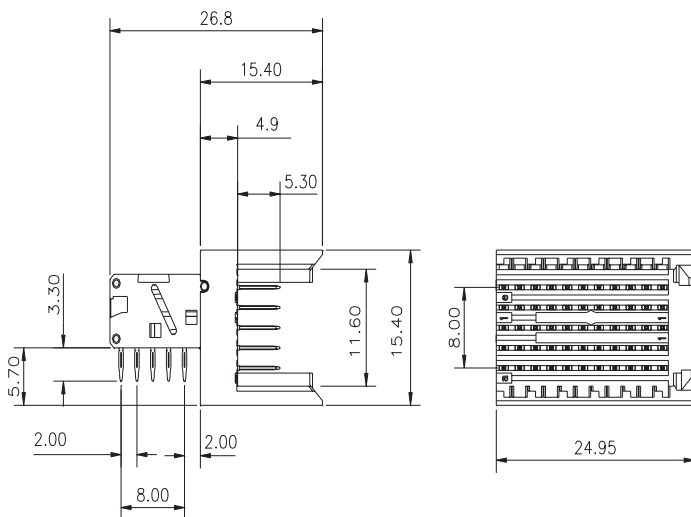
LOADING PATTERNS SUPPORTED

Standard loading pattern
HM2J09PE5110N9LF

F	0	0	0	0	0	0	0	0	0	0	0
E	4	4	4	4	4	4	4	4	4	4	4
D	4	4	4	4	4	4	4	4	4	4	4
C	4	4	4	4	4	4	4	4	4	4	4
B	4	4	4	4	4	4	4	4	4	4	4
A	4	4	4	4	4	4	4	4	4	4	4
Z	0	0	0	0	0	0	0	0	0	0	0
	1	2	3	4	5	6	7	8	9	10	11

Custom loading patterns are available up on request.

DIMENSIONAL DRAWING



TYPE B19 HEADER WITH 95 SIGNAL PINS

OVERVIEW

Millipacs® Type B19 right angle header connector provides 95 signal contacts in a 5 row configuration with press-fit termination.

Connectors are with optional top shielding.



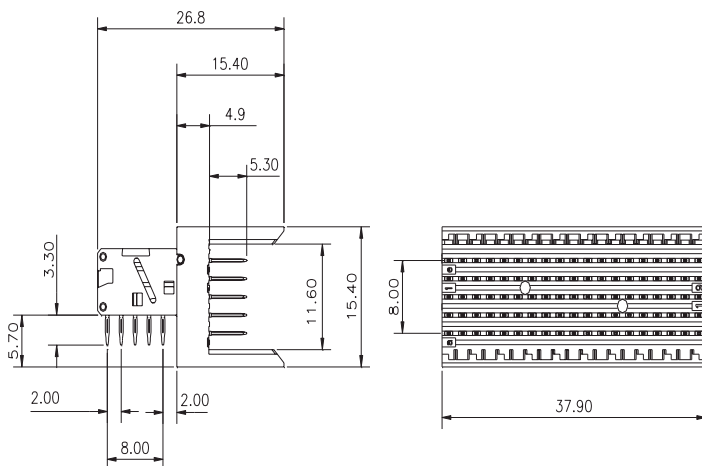
LOADING PATTERNS SUPPORTED

Standard loading pattern
HM2J71PE5110N9LF

F	0	0	0	0	0	0	0	0	0	0	0	0	0	0	0	0	0	0	0
E	4	4	4	4	4	4	4	4	4	4	4	4	4	4	4	4	4	4	4
D	4	4	4	4	4	4	4	4	4	4	4	4	4	4	4	4	4	4	4
C	4	4	4	4	4	4	4	4	4	4	4	4	4	4	4	4	4	4	4
B	4	4	4	4	4	4	4	4	4	4	4	4	4	4	4	4	4	4	4
A	4	4	4	4	4	4	4	4	4	4	4	4	4	4	4	4	4	4	4
Z	0	0	0	0	0	0	0	0	0	0	0	0	0	0	0	0	0	0	0
	1	2	3	4	5	6	7	8	9	10	11	12	13	14	15	16	17	18	19

Custom loading patterns are available up on request.

DIMENSIONAL DRAWING



TYPE AB22 HEADER WITH 110 SIGNAL PINS

OVERVIEW

Millipacs® Type AB22 right angle header connector provides 110 signal contacts in a 5 row configuration with press-fit termination.

Connectors are with optional top shielding



LOADING PATTERNS SUPPORTED

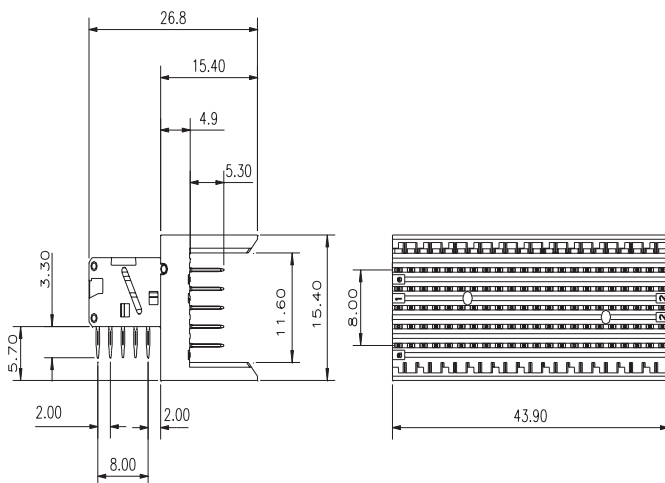
Standard Loading pattern

HM2J66PE5110N9LF

F	6	6	6	6	6	6	6	6	6	0	0	0	6	6	6	6	6	6	6	6	6	6
E	4	4	4	4	4	4	4	4	4	4	4	4	4	4	4	4	4	4	4	4	4	4
D	4	4	4	4	4	4	4	4	4	4	4	4	4	4	4	4	4	4	4	4	4	4
C	4	4	4	4	4	4	4	4	4	4	4	4	4	4	4	4	4	4	4	4	4	4
B	4	4	4	4	4	4	4	4	4	4	4	4	4	4	4	4	4	4	4	4	4	4
A	4	4	4	4	4	4	4	4	4	4	4	4	4	4	4	4	4	4	4	4	4	4
Z	0	0	0	0	0	0	0	0	0	0	0	0	0	0	0	0	0	0	0	0	0	0
	1	2	3	4	5	6	7	8	9	10	11	12	13	14	15	16	17	18	19	20	21	22

Custom loading patterns are available up on request.

DIMENSIONAL DRAWING



TYPE AB25 HEADER WITH 125 SIGNAL PINS

OVERVIEW

Millipacs® Type AB25 right angle header connector provides 125 signal contacts in a 5 row configuration with press-fit termination.

Connectors are with optional top shielding.

NEW



LOADING PATTERNS SUPPORTED

Standard Loading pattern
HM2J65PE5110N9LF

F	0	0	0	0	0	0	0	0	0	0	0	0	0	0	0	0	0	0	0	0	0	0	0	0	0	0	0	0	0	0	0	0	0	0	0		
E	4	4	4	4	4	4	4	4	4	4	4	4	4	4	4	4	4	4	4	4	4	4	4	4	4	4	4	4	4	4	4	4	4	4	4	4	
D	4	4	4	4	4	4	4	4	4	4	4	4	4	4	4	4	4	4	4	4	4	4	4	4	4	4	4	4	4	4	4	4	4	4	4	4	4
C	4	4	4	4	4	4	4	4	4	4	4	4	4	4	4	4	4	4	4	4	4	4	4	4	4	4	4	4	4	4	4	4	4	4	4	4	4
B	4	4	4	4	4	4	4	4	4	4	4	4	4	4	4	4	4	4	4	4	4	4	4	4	4	4	4	4	4	4	4	4	4	4	4	4	4
A	4	4	4	4	4	4	4	4	4	4	4	4	4	4	4	4	4	4	4	4	4	4	4	4	4	4	4	4	4	4	4	4	4	4	4	4	4
Z	0	0	0	0	0	0	0	0	0	0	0	0	0	0	0	0	0	0	0	0	0	0	0	0	0	0	0	0	0	0	0	0	0	0	0	0	0
	1	2	3	4	5	6	7	8	9	10	11	12	13	14	15	16	17	18	19	20	21	22	23	24	25												

Custom loading patterns are available up on request.

DIMENSIONAL DRAWING

