

MicroSpace™ High Voltage selective loaded Crimp-to-Wire Connector Platform

COMPACT, ROBUST AND VERSATILE CONNECTOR SYSTEM

MicroSpace™ High Voltage selective loaded Crimp-to-Wire connector platform's unique design enables LV214 Severity-2 and performs at 3.81mm, 6.35mm, and 8.89mm pitch with 400V, 800V and 1200V. MicroSpace™ High Voltage selective loaded will be available in a staggered version with a top latch configuration.

- LV214 Severity-2 Compatible
- Keying to prevent visual mismatching
- Terminal Positioning Assurance (TPA)
- Primary and secondary contact retention
- Connector Positioning Assurance (CPA)



FEATURES

- Design based on existing and proven design controls
- Existing crimp section and automated crimp tooling up to 22AWG
- 4N normal force for vibration and >75N connector locking strength
- Poka-yoke polarization
- Terminal Positioning Assurance (TPA)
- Current rating up to 4A per contact
- Connector Positioning Assurance (CPA)
- Low insertion force terminal available

BENEFITS

- Suitable for harsh environments
- No specific industrial tools required
- High vibration and locking resistance
- Visual mismatching prevention system
- Ensures proper terminal insertion position and retention
- Meets higher power performance requirements
- Assures that connectors are properly mated and locked together
- Makes it easier to mate with receptacle

TECHNICAL INFORMATION

MATERIAL

- Contact for Board Header Connector: High Current Alloy with optional Tin and Gold plating
- Housing: High temperature thermoplastic, UL94V-0
- Crimping Terminal: High Current Alloy with optional Tin and Gold plating

MECHANICAL PERFORMANCE

- Terminal Insertion Force/Terminal: <3N
- <2N low insertion force terminal available upon request
- Terminal Retention into Housing: >50N
- Durability: 20 mating cycles for Sn; 100 mating cycles for Au
- Wire Pullout Force for 0.35qmm2: >50N min.

ELECTRICAL PERFORMANCE

- Low Level Contact Resistance: <30mΩ
- Insulation Resistance: >100MΩ
- Voltage Rating: 400V – 800V – 1200V
- Current Rating: 4A
- Dielectric Withstanding Voltage: 1200VAC – 2500VAC – 3600VAC
- Temperature Rise: 30°C max.

ENVIRONMENTAL

- Operating Temperature Range: -40°C to +130°C

APPROVALS AND CERTIFICATIONS

- LV214 – Severity 2 Compatible

PACKAGING

- PCB Header: Tape & Reel
- Receptacle Housing: Bag
- Terminal: Reel

TARGET MARKETS/APPLICATIONS



BMS
Camera/Sensor
Cluster/Navigation HVAC
Headliner Lighting
Power Steering

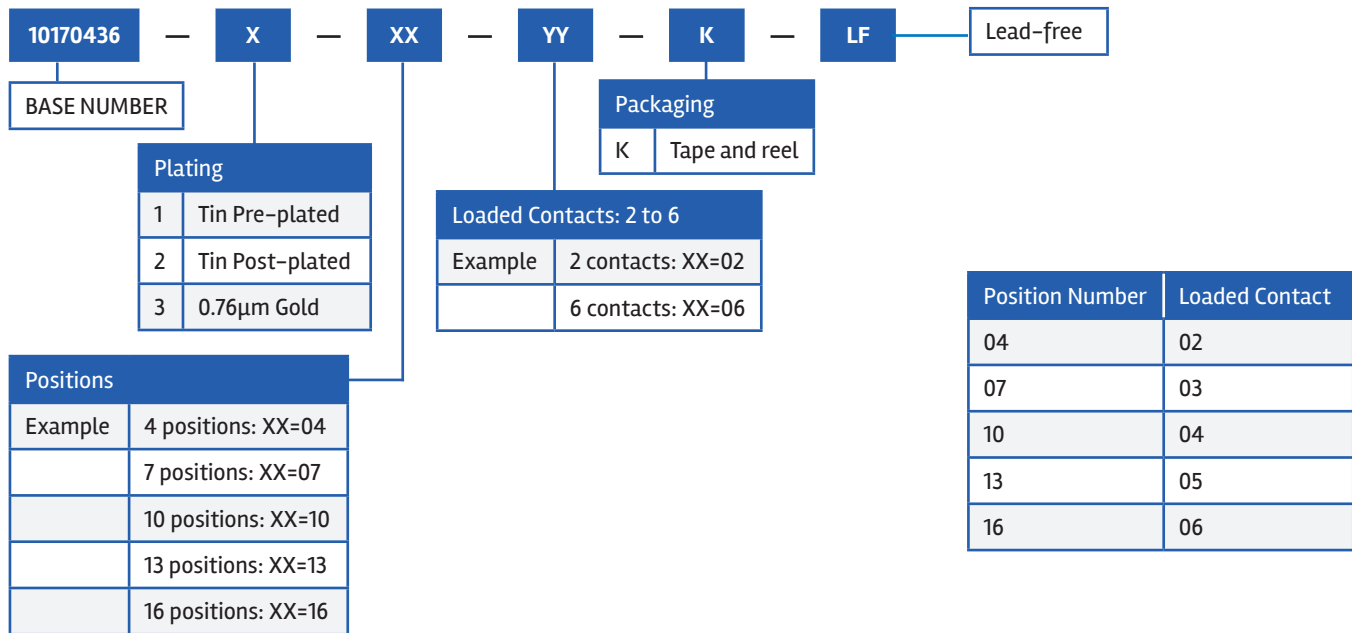
PART NUMBERS

Description	Part Numbers
MicroSpace™ High Voltage Header Horizontal 400V	10170436*
MicroSpace™ High Voltage Header Horizontal 800V	10170437*
MicroSpace™ High Voltage Header Horizontal 1200V	10170438*
MicroSpace™ High Voltage Header Vertical 400V	10170506*
MicroSpace™ High Voltage Header Vertical 800V	10170507*
MicroSpace™ High Voltage Header Vertical 1200V	10170508*
MicroSpace™ High Voltage Receptacle	10170389*
MicroSpace™ Terminals	10141272*

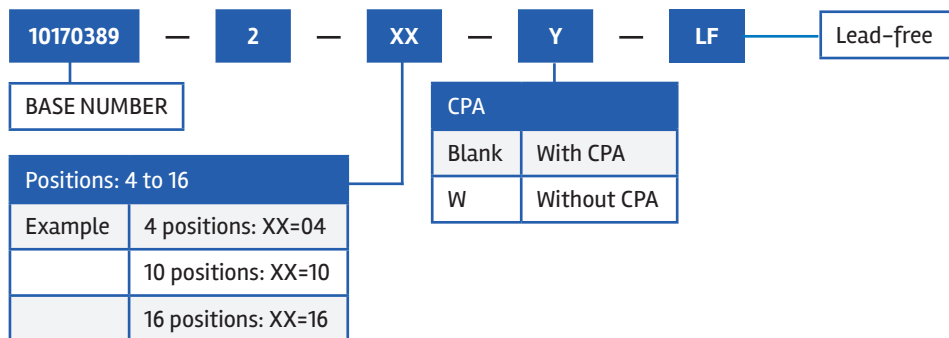
Find part number details using the search box on www.amphenol-cs.com

*Denotes base part number.

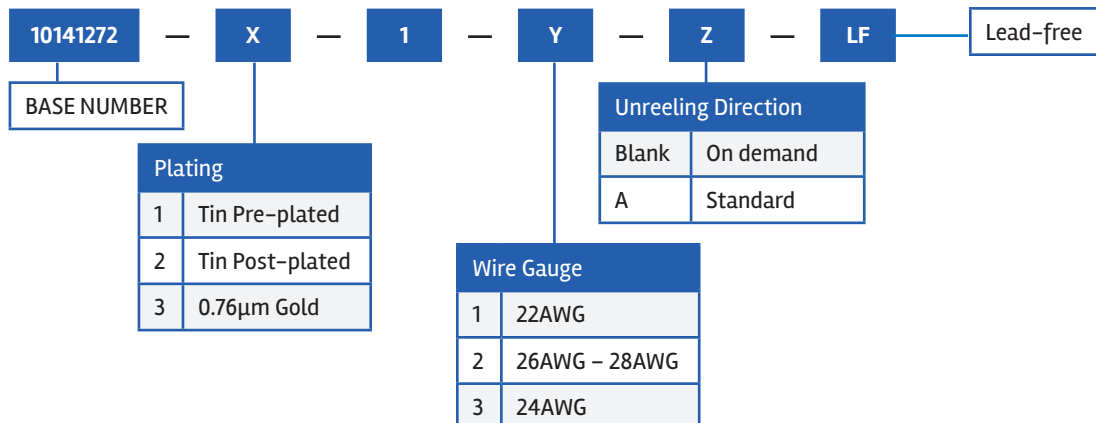
PART NUMBER SELECTOR – HEADER



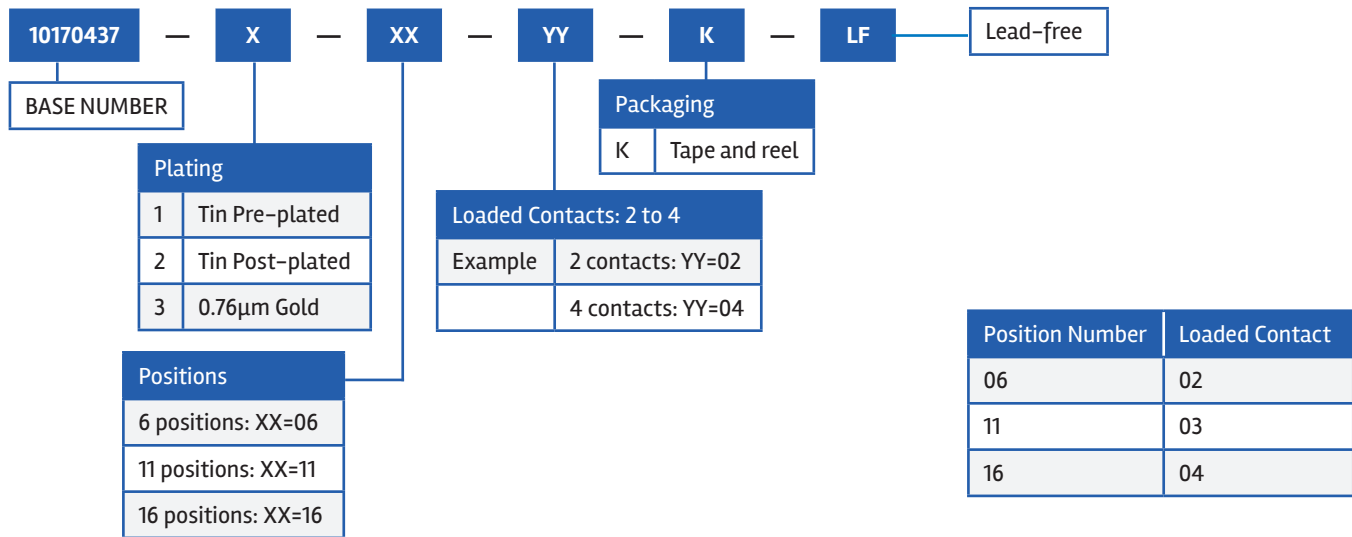
PART NUMBER SELECTOR – RECEPTACLE



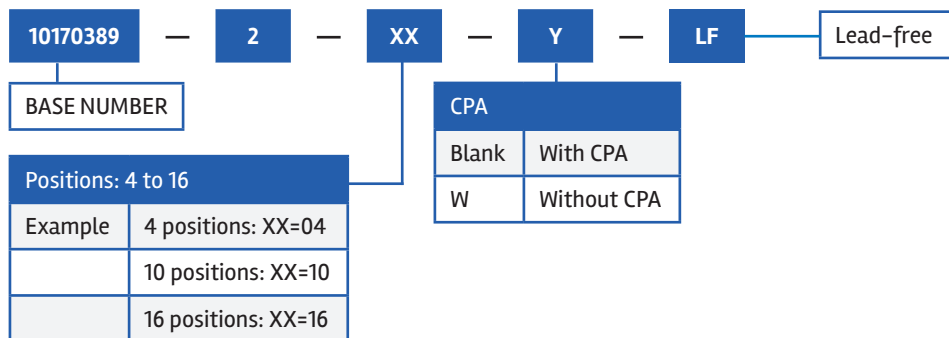
PART NUMBER SELECTOR – TERMINALS



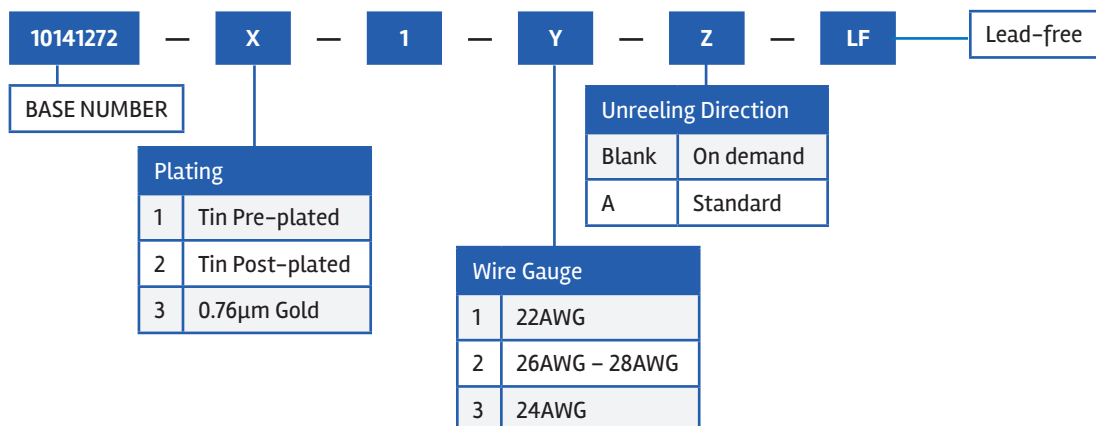
PART NUMBER SELECTOR – HEADER



PART NUMBER SELECTOR – RECEPTACLE

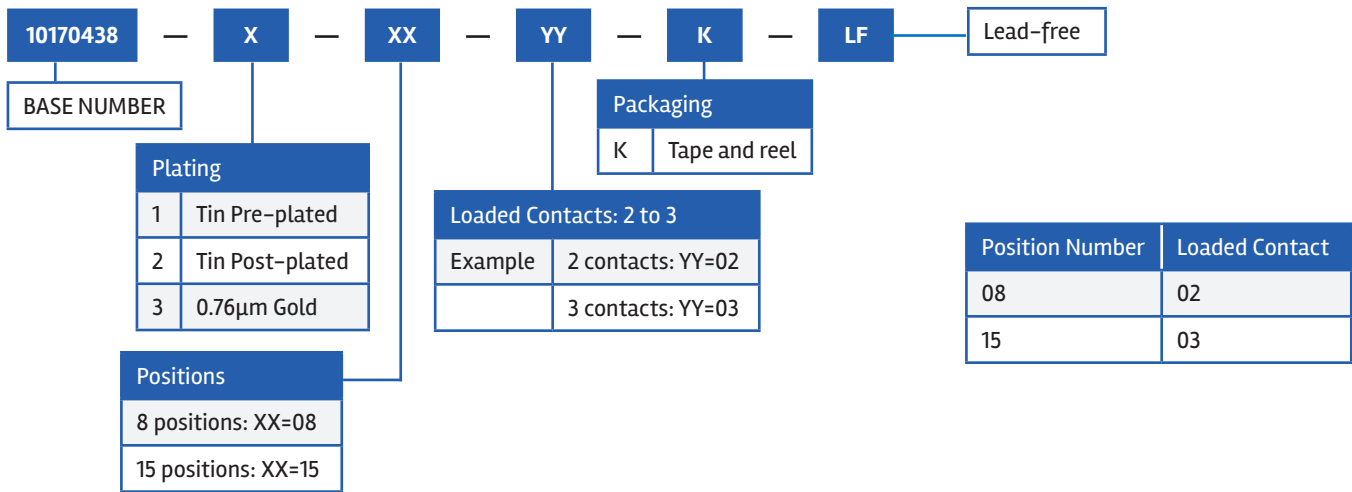


PART NUMBER SELECTOR – TERMINALS

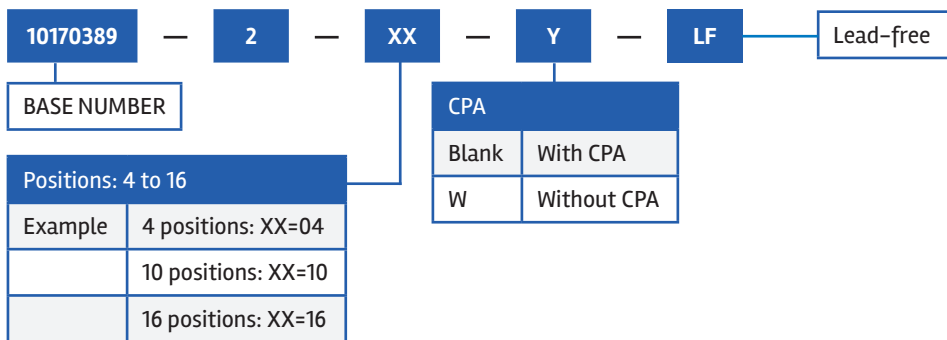


MicroSpace™ High Voltage selective loaded Crimp-to-Wire Connector Platform – 1200V

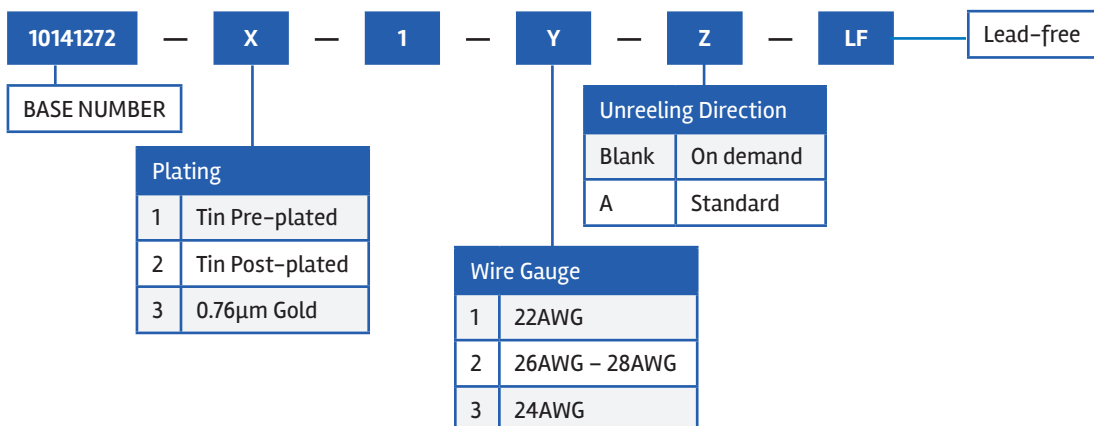
PART NUMBER SELECTOR – HEADER



PART NUMBER SELECTOR – RECEPTACLE



PART NUMBER SELECTOR – TERMINALS



BASICSMTKMSHV0524E4