

0.50mm Pitch FFC/FPC – F300/F301 Series

RIGHT ANGLE ZIF FLEX CONNECTOR

F300/F301 series are 0.50mm pitch vertical ZIF Flex Connectors with front flip locking mechanism, double contacts, and surface mount termination. These connectors feature a height of 2.00mm and are offered in 6 to 60 contacts. These series feature a cable thickness of 0.30mm and provide enhanced durability of 30 mating cycles. The connectors come with a robust design and prevent solder and flux wicking. These are ideal for automotive, data, industrial, communication, consumer, and medical applications.

- Easy to operate and strong FFC/FPC retention makes it vibration-proof
- Double contact points provide enhanced contact stability
- Ensures high solderability and high durability
- Wide operating temperature range of -40°C to $+105^{\circ}\text{C}$



TARGET MARKETS



FEATURES

- ZIF (Zero Insertion Force) mechanism
- Front flip locking function
- Double contact points
- Design against solder and flux wicking
- High-temperature thermoplastic housing
- 6 to 60 positions available
- Lead and halogen-free

BENEFITS

- Absence of frictional mating wear resulting in high mating cycle life
- Easy to operate and strong FFC/FPC retention makes it vibration-proof
- Ensures enhanced contact stability
- Ensures high solderability
- Wide operating temperature range of -40°C to $+105^{\circ}\text{C}$
- Comprehensive range to satisfy different customer requirements
- Meets environmental, health and safety requirements

TECHNICAL INFORMATION

MATERIAL

- Housing: LCP, Natural color (UL94V-0)
- Actuator: PA9T, Black color (UL94V-0)
- Contact: Phosphor Bronze, T=0.15mm
- Stator: Brass, T=0.15mm

MECHANICAL PERFORMANCE

- FFC/FPC Retention Force: 30gf/pin
- Terminal Retention Force: 100gf/terminal min.
- Stator plate Retention Force: 100gf/plate min.
- Durability: 30 mating cycles

ELECTRICAL PERFORMANCE

- Voltage Rating: 50VAC/VDC
- Current Rating: 0.5A
- Contact Resistance: 30MΩ max.
- Insulation Resistance: 500MΩ min.
- Dielectric Withstanding Voltage: No short or breakdown after 500VAC, 2mA, 1min.

PACKAGING

- Tape & Reel

APPROVALS AND CERTIFICATIONS

- UL file number E106764
- RoHS compliant

SPECIFICATION

- Aurora Product Specification: IS.EQC.033

ENVIRONMENTAL

- Operating Temperature Range: -40°C to +105°C

TARGET MARKETS/APPLICATIONS



Car Multimedia
Car Navigation
Dashboard
PND



Base Station
Power
Switches



Notebook
Tablets
Wearables
Gaming
DSC
LCD & PDP TV



Router
Server
ODD
HDD



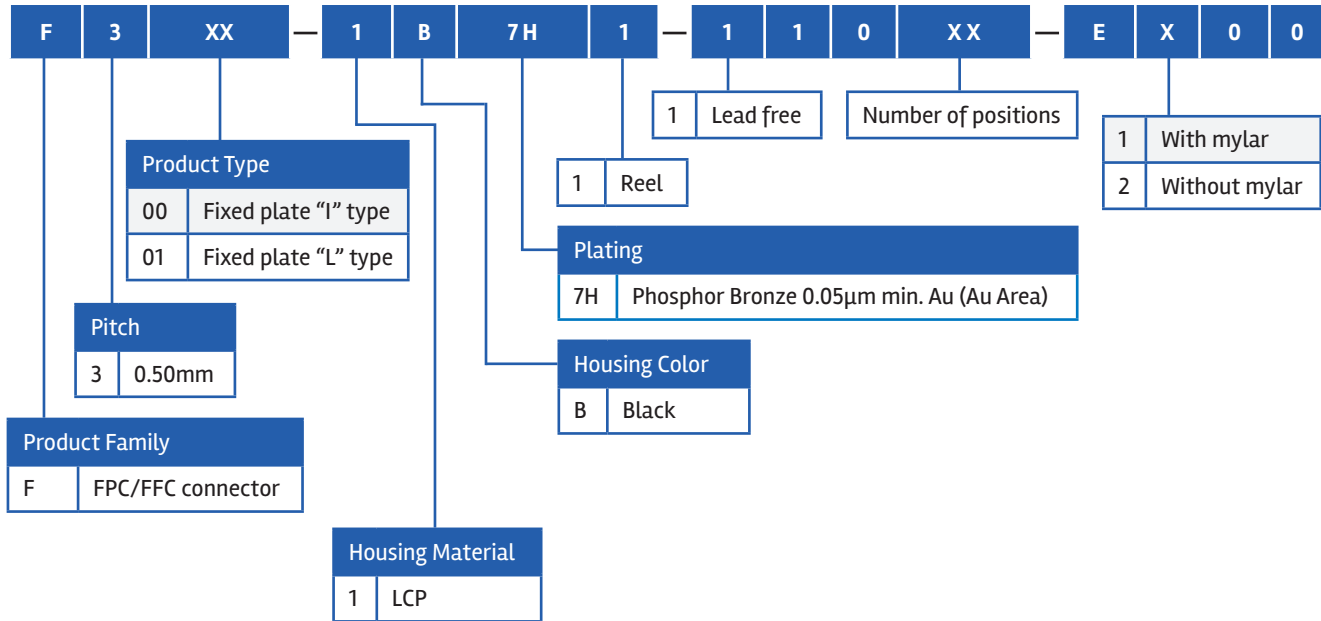
Sensing Element
Monitoring Camera
Human Machine Interface
Industrial PC
Robotics



Ultrasonic
Patient Monitor
MRI
CT
Infusion Pump

PART NUMBER SELECTOR

Find part number details using the search box on www.amphenol-cs.com



AORORAF300301025EA4