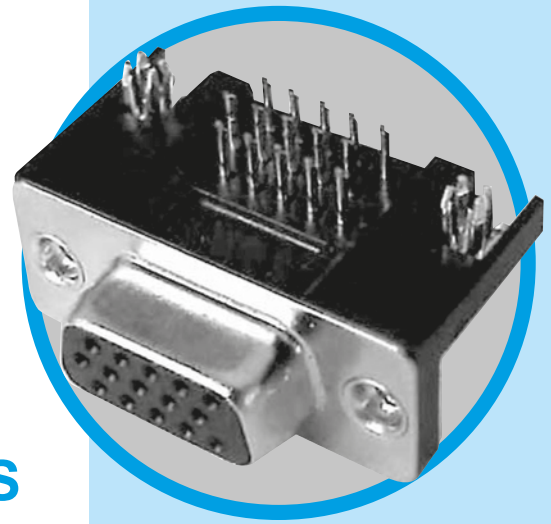


# HD

D-Sub connectors - Stamped and Formed Contacts



## RIGHT ANGLE HIGH DENSITY CONNECTORS

### Specifications

- Connector interfaces according to: MIL C24308
- UL File: E232356

MAIN CHARACTERISTICS

Materials and Platings	
<b>Shells</b>	Steel, tin over nickel plating
<b>Insulator</b>	Glass-filled thermoplastic, UL 94V- 0
<b>Contacts</b>	Brass, selected gold in mating area; 2.54µm (100 µ") min.tin on termination area over 1.27µm (50µ") min.nickel
<b>Rear insert</b>	Brass, 2.54µm (100µ") min.nickel plated
<b>Boardlock</b>	Brass, 2.54µm (100µ") min.nickel plated
<b>Screwlock</b>	Brass, 2.54µm (100µ") min.nickel plated

Electrical Data	
<b>Current rating</b>	3A
<b>Voltage rating</b>	250V AC/ rms 50Hz
<b>Withstanding voltage</b>	1000V AC/rms 50Hz for one minute
<b>Insulation resistance</b>	5000MΩ at 500V DC
<b>Contact resistance</b>	25mΩ max

Climatic Data	
<b>Operating temperature</b>	-55°C to +105°C
<b>Salt spray</b>	24 hours

Mechanical Data		
<b>Single contact insertion force</b>	0.34kg (0.75lb) max.	
<b>Single contact withdrawal force</b>	0.02kg (0.044lb) min.	
<b>Mating and unmating force</b> Unit: kg ( lb)		
<b>No. of Cts</b>	<b>Mate (max)</b>	<b>Unmate (min)</b>
15	3.81 (8.42)	0.52 (1.14)
26	5.95 (13.16)	1.05 (2.32)
44	9.26 (20.46)	1.37 (3.02)
62	13.48 (29.78)	1.76 (3.88)
<b>Standard plating thickness</b>	<ul style="list-style-type: none"> <li>• Gold flash</li> <li>• 0.38µm (15µ") Gold</li> <li>• 0.76 µm (30µ") Gold</li> </ul>	

DESCRIPTION

Amphenol's high density D-Sub connectors complement Amphenol's extensive D-Sub connector line. This line offers many superior features, high performance level and low installation cost.

The decreased contact spacing accommodates greater signal density in comparison to conventional D-Sub connectors.

*Economical  
right angle PCB  
connectors*

APPLICATIONS

- Industrial
- Telecom
- Any industry standard I / O connections

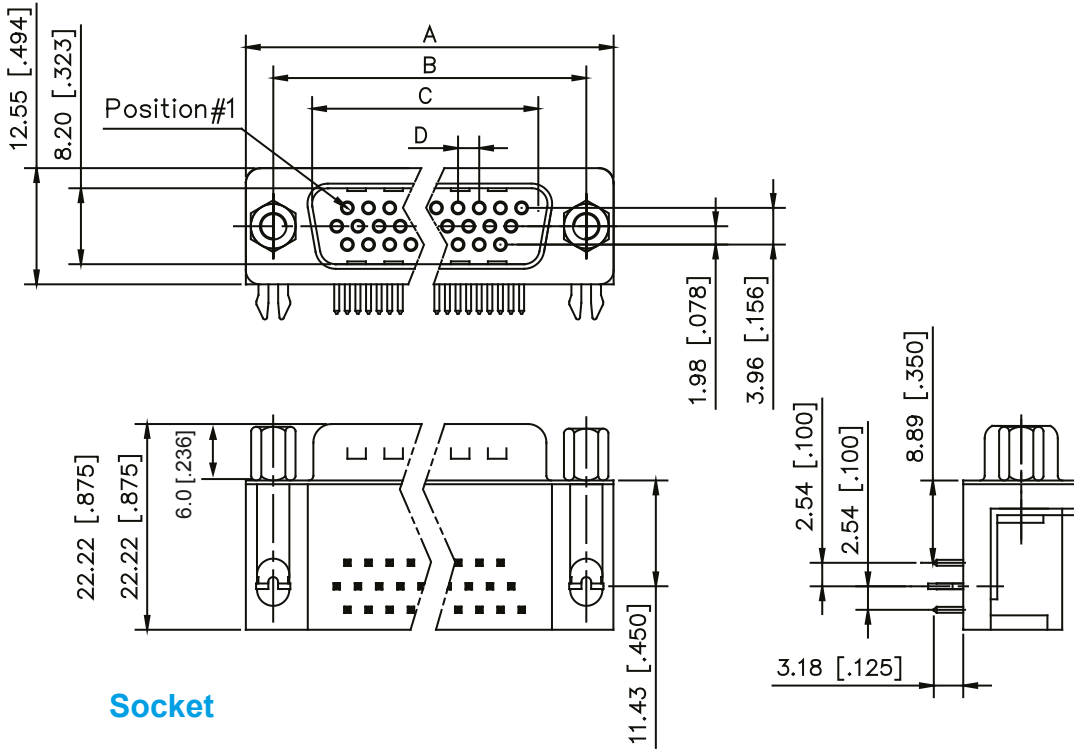


**Amphenol**

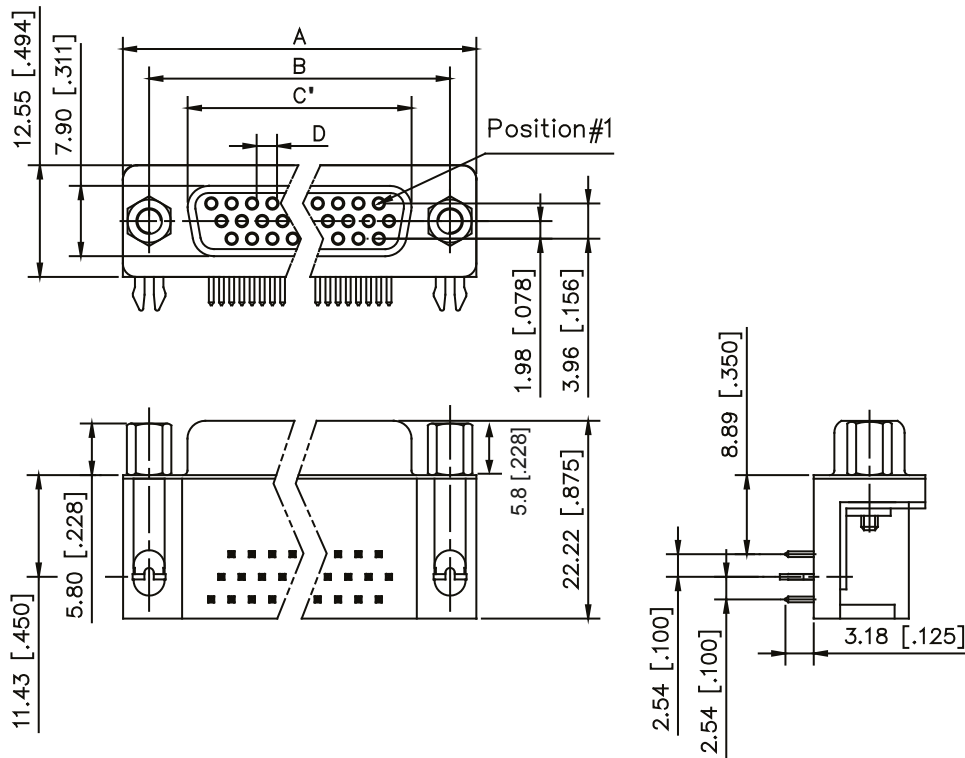
HD / E19

# Shell size dimensions

## Pin

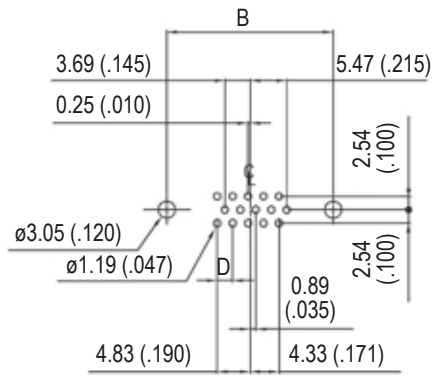


## Socket

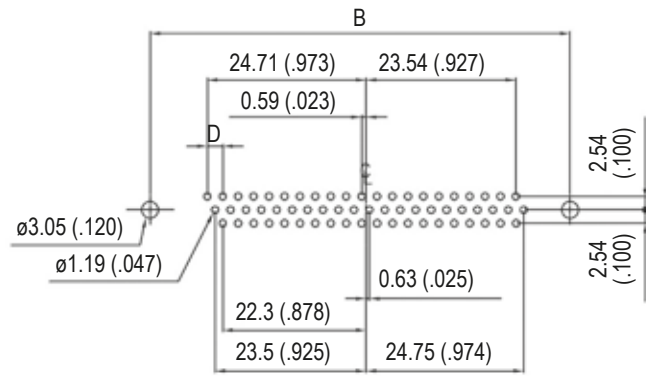


Nb OF CONTACTS	DIMENSIONS mm (inch)				
	A	B	C	C'	D
15	30.84 (1.214)	24.99 (.984)	16.92 (.661)	16.26 (.640)	2.29 (.090)
26	39.24 (1.545)	33.32 (1.312)	25.25 (.994)	24.56 (.967)	2.29 (.090)
44	53.04 (2.088)	47.04 (1.852)	38.96 (1.534)	38.30 (1.508)	2.29 (.090)
62	69.34 (2.730)	63.50 (2.500)	55.42 (2.182)	54.76 (2.156)	2.41 (.095)

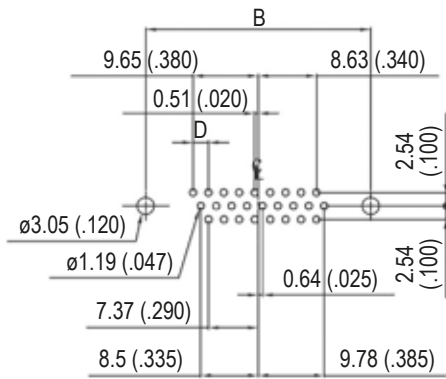
## P.C.B. Layout



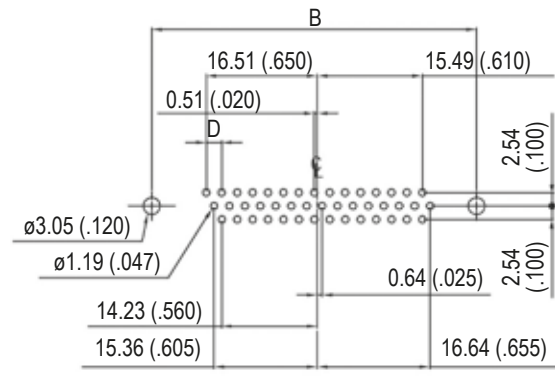
**15 PIN**



**62 PIN**



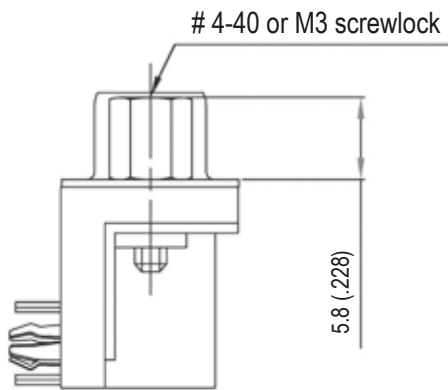
**26 PIN**



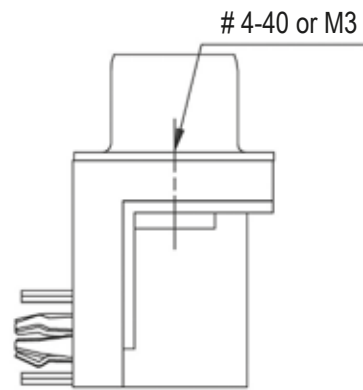
**44 PIN**

PCB layout for Socket connector, top view

## Panel mounting option

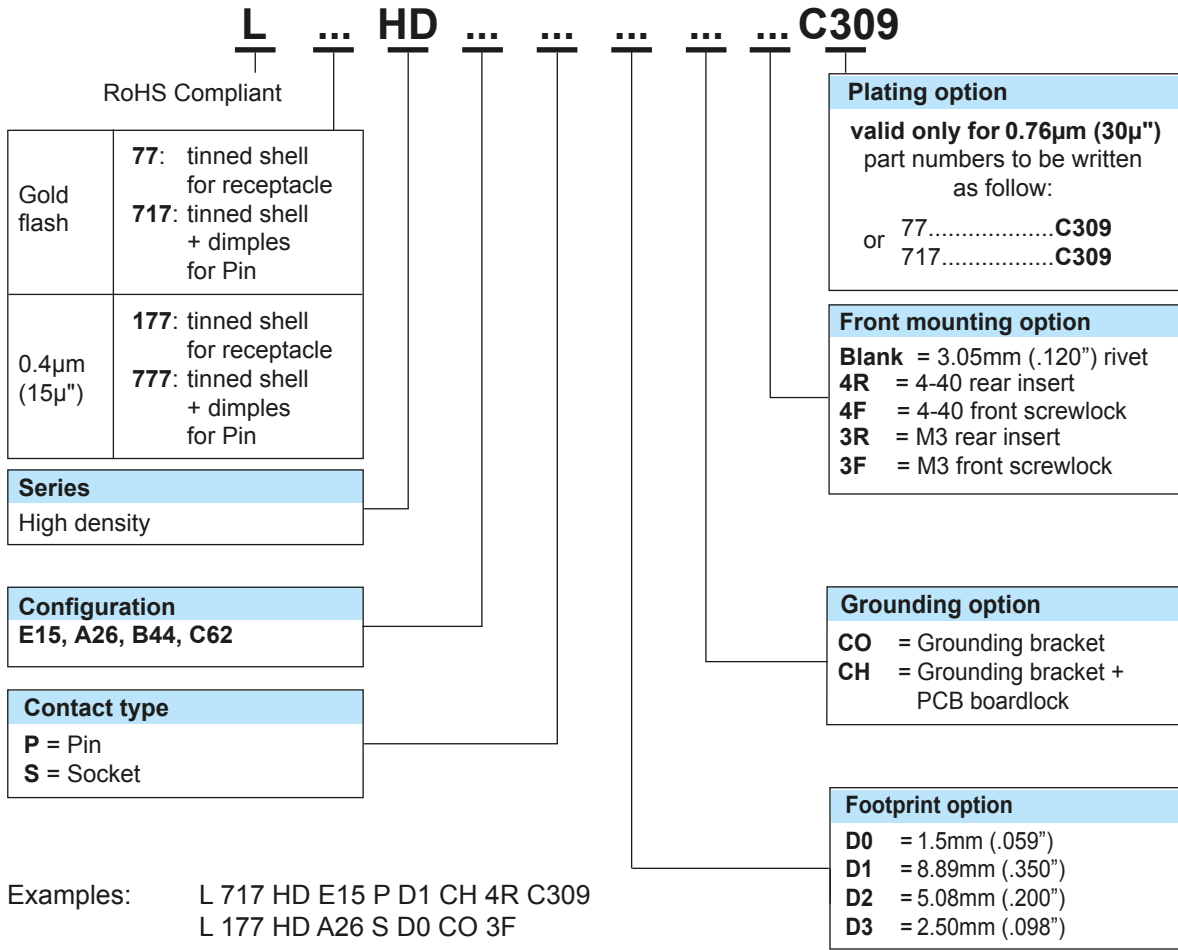


**Front female screwlock**  
**4F / 3F**



**Threaded rear insert**  
**4R / 3R**

## How to order



**For special request, please consult factory**