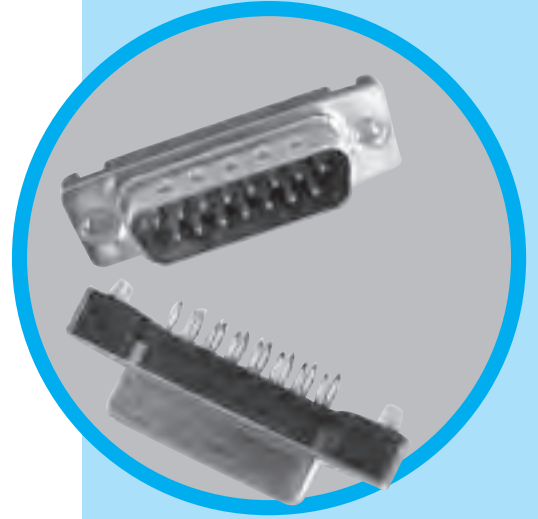


TF

D-Sub connectors - Stamped and Formed Contacts

PRESS FIT STRAIGHT PCB TERMINATION

UL File: E232356



CHARACTERISTICS

Materials and Platings	
Shells	Steel, tin plated
Insulator	Glass-filled thermoplastic, UL 94V-0
Contacts	Copper Alloy ; 2.54µm (100µ") min. tin on termination area over 1.27µm (50µ") min. nickel
Rear inserts	Brass, 2.54µm (100µ") min. nickel plated
Boardlocks	Brass, 2.54µm (100µ") min. tin over 1.27µm (50µ") min. nickel plated
Screwlocks	Brass, 2.54µm (100µ") min. nickel plated

Electrical Data	
Current rating	3A
Voltage rating	250V AC
Withstanding voltage	1000V AC/rms 60Hz for one minute
Insulation resistance	1000MΩ
Contact resistance	20mΩ max

Climatic Data	
Operating temperature	-55°C to +85°C
Salt spray	24 hours

Mechanical Data	
Single contact insertion force	≤ 3.60 N
Single contact withdrawal force	≥ 0.2 N
Single contact insertion on board	≤ 100 N
Single contact withdrawal from board	≥ 20 N
Standard plating thickness	Gold flash 0.38µm (15µ") gold 0.76µm (30µ") gold

	Terminal Specification	Boardlock Specification
Finished Hole	1 (+0.00/- 0.05 mm)	3.3 (+0.00/- 0.05 mm)
Cu	> 25 µm	Min 25 µm
Sn	< 15 µm	5-15 µm

DESCRIPTION

The Amphenol "TF" series features eye of needle formed contacts, and insulator with closed entry contacts cavities.

This series gives you Amphenol's high standards of quality and reliability to meet all your technical requirements.

*Solderless
straight PCB
mount
connectors*

APPLICATIONS

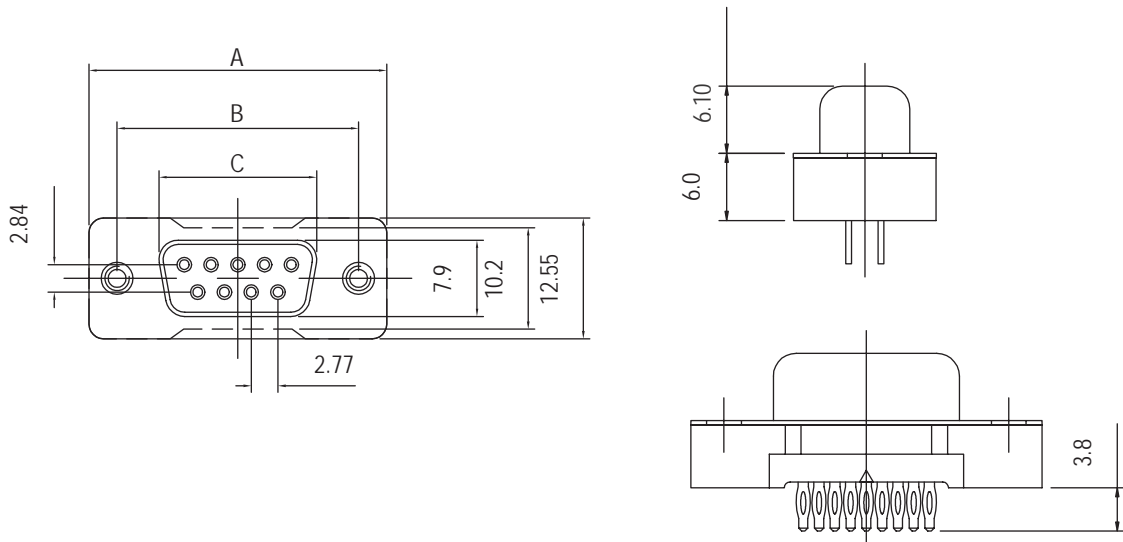
- Industrial
- Telecom
- Any backplanes connections



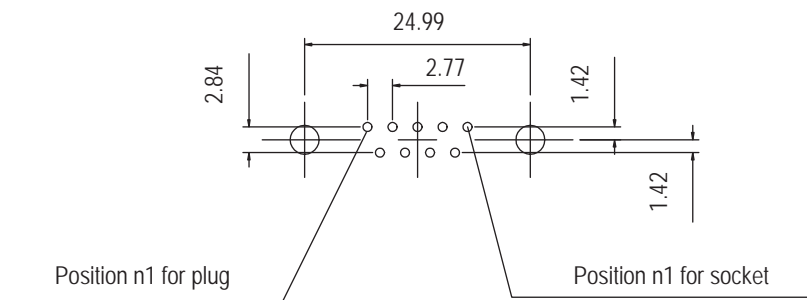
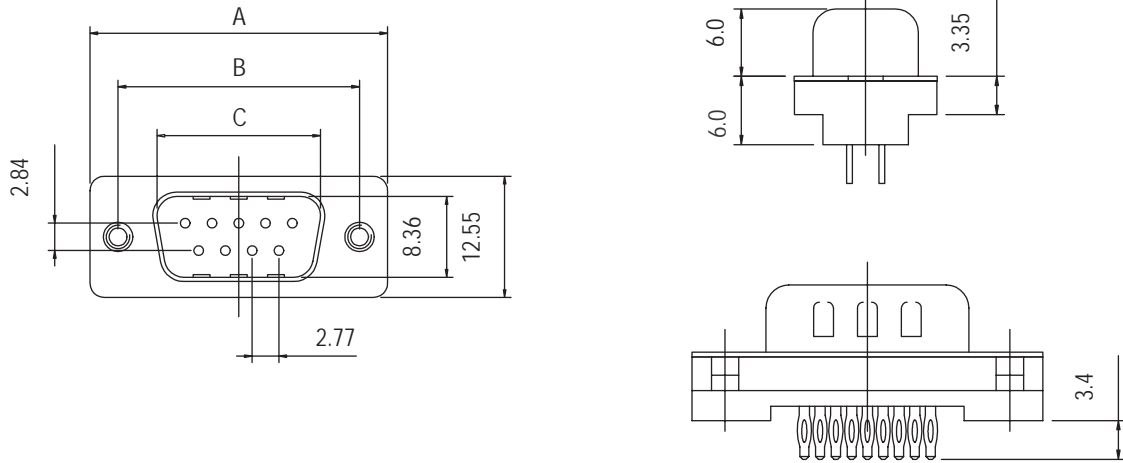
Amphenol

TF / E4

Socket version

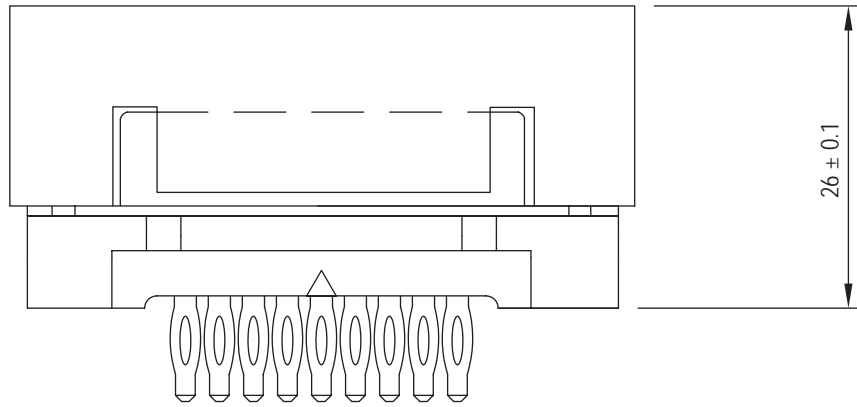


Plug version

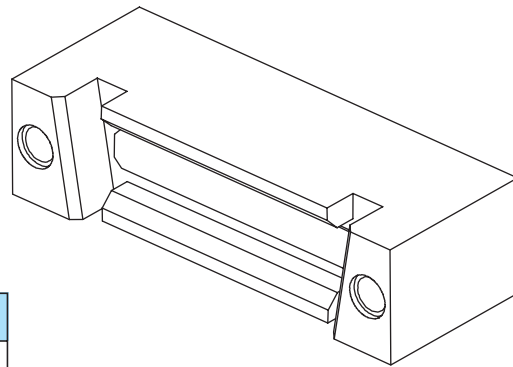


For PCB holes diameters, see on page 1 (finished holes)

Nb OF CONTACTS	DIMENSIONS mm (inch)			
	A	B	C plug	C socket
9	30.81 (1.185)	24.99 (0.984)	16.92 (0.666)	16.33 (0.643)
15	39.14 (1.54)	33.32 (1.312)	25.50 (1.004)	24.66 (0.97)
25	53.04 (2.088)	47.04 (1.852)	28.96 (1.534)	38.38 (1.511)
37	69.32 (2.729)	63.50 (2.5)	55.42 (2.182)	54.84 (2.16)

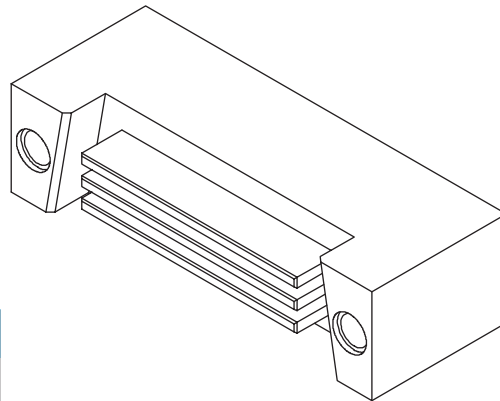


Female



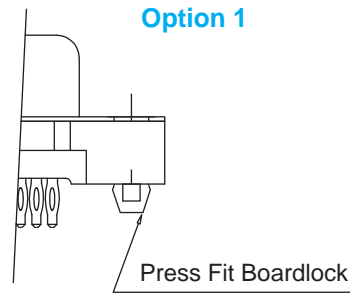
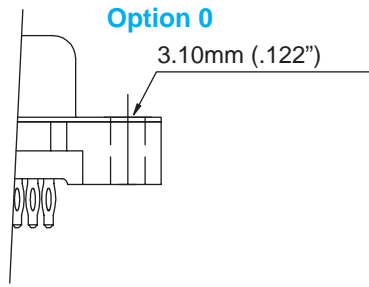
Size of connectors	Tooling PN
9	981 MC
15	982 MC
25	983 MC
37	984 MC

Male

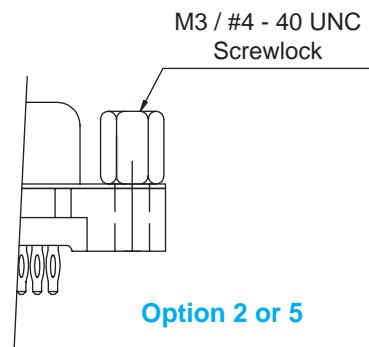
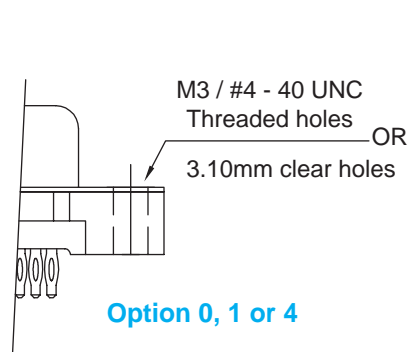


Size of connectors	Tooling PN
9	985 MC
15	986 MC
25	987 MC
37	988 MC

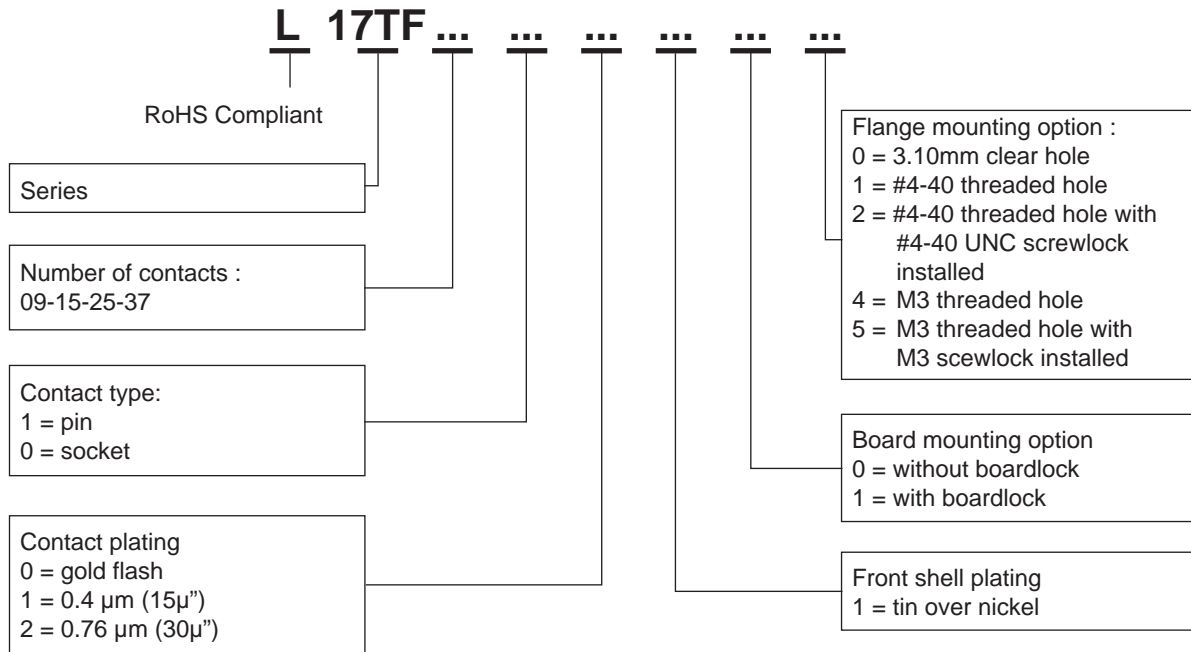
Board mounting option



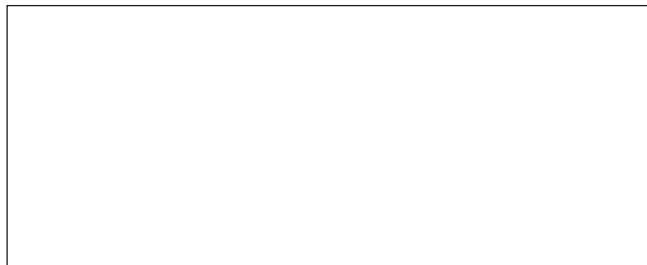
Flange mounting option



How to order



Do not hesitate to contact us for further information



Amphenol

Amphenol IT & Communication Products

Block A3/A4, The 4th Industrial District of Industrial Headquarters, Dong Keng Road Gong Ming Town, Shen Zhen China
Fax: +86(0)755 2754 9955

Technical Support

Tel: +86(0)755 2717 7945
Info-dsub@amphenol.com.cn
http://www.dsubconnector.com