

XP-13B1-40DA

28Gb/s 1310nm SFP28 40km Transceiver

PRODUCT FEATURES

- Supports 24.3Gb/s to 26.5Gb/s bit rates
- Up to 40km transmission on SMF
- EML TOSA and APD receiver
- Metal enclosure, for lower EMI
- 2-wire interface with integrated Digital Diagnostic monitoring
- Specifications compliant with SFF 8472
- Compliant with SFP28 MSA with LC connector
- Single 3.3V power supply
- Power dissipation < 2W
- Case operating temperature range: Commercial: 0 °C to +70 °C
Industrial: -40 °C to +85 °C



APPLICATIONS

- 25G Ethernet
- CPRI 10

STANDARD

- Compliant to SFF-8431
- Compliant to SFF 8472
- Compliant to IEEE 802.3 CC
- RoHS Compliant.

● **Ordering information**

Product part Number	Data Rate (Gbps)	Media	Wavelength (nm)	Transmission Distance(km)	Temperature Range (Tcase) (°C)	
XP-13B1-40D	25.78	Single mode fiber	1310	40	0~70	Commercial
XP-13B1-40DA	25.78	Single mode fiber	1310	40	-40~85	Industrial

I Absolute Maximum Ratings

Parameter	Symbol	Min.	Typ.	Max.	Unit	Note
Storage Temperature	Ts	-40	-	85	°C	
Relative Humidity	RH	5	-	95	%	
Power Supply Voltage	VCC	-0.3	-	4	V	

II Recommended Operating Conditions

Parameter	Symbol	Min.	Typ.	Max.	Unit	Note
Case Operating Temperature	Tcase	0	-	70	°C	Commercial
		-40	-	85	°C	Industrial
Power Supply Voltage	VCC	3.14	3.3	3.47	V	
Power Supply Current	ICC	-	-	550	mA	Commercial
		-	-	600	mA	Industrial
Data Rate	BR	24.3	25.78	26.5	Gbps	
Transmission Distance	TD	-	-	40	km	
Coupled fiber	Single mode fiber					9/125um SMF

III Optical Characteristics

Parameter	Symbol	Min	Typ	Max	Unit	NOTE
Transmitter						
Output Opt. Power	POUT	-1.6		6	dBm	1
Optical Wavelength	λ	1295		1310	nm	
Spectral Width (-20dB)	σ			1	nm	
Side-mode suppression ratio	SMSR	30			dB	
Optical Extinction Ratio	ER	4			dB	

Power off Tx disable	P _{OFF}			-30	dBm	1
Transmitter reflection				-12	dB	
RIN (OMA)				-130	dB/Hz	
Transmitter eye mask	{0.31,0.4,0.45,0.34,0.38,0.4}					
Receiver						
Rx Sensitivity	Sen			-19	dBm	2
Input Saturation Power (Overload)	Psat	-5			dBm	
Rx Sensitivity (OMA)				-19	dBm	
Rx Power (OMA)		-4			dBm	
Receiver reflection	Rf			-26	dBm	
Wavelength Range	λ_c	1295		1325	nm	
LOS De -Assert	LOSD			-20	dBm	
LOS Assert	LOSA	-35			dBm	
LOS Hysteresis	L-H	0.5		5	dB	

Notes:

1. Class 1 Laser Safety per FDA/CDRH and IEC-825-1 regulations.
2. Measured with a PRBS $2^{31}-1$ test pattern, @25.78Gb/s, BER@ $5*10^{-5}$.

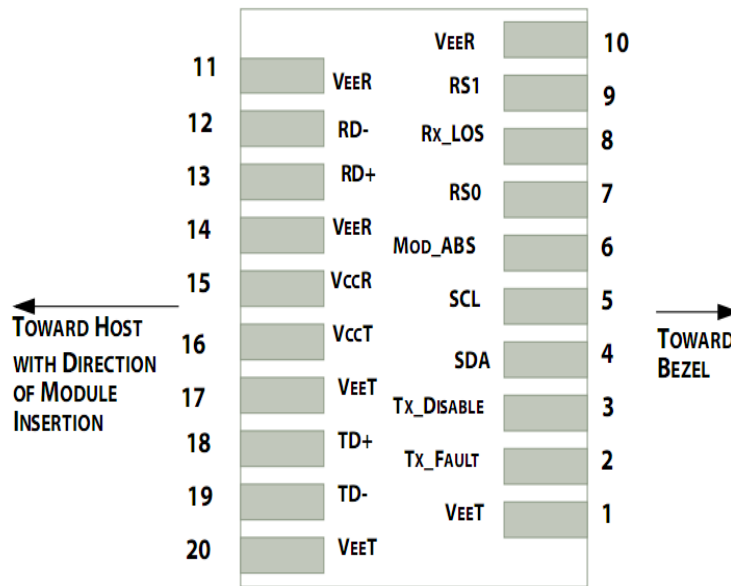
IV. Electrical Characteristics

Parameter	Symbol	Min	Typ	Max	Unit	NOTE
Supply Voltage	V _{cc}	3.14	3.3	3.46	V	
Supply Current	I _{cc}			500	mA	Commercial
				550	mA	Industrial
Transmitter						
Input differential impedance	R _{in}		100		Ω	1
Single ended data input swing	V _{in,pp}	180		700	mV	
Transmit Disable Voltage	VD	2.0		V _{cc} +0.3	V	
Transmit Enable Voltage	VEN	-0.3		0.8	V	2
Receiver						
Differential data output swing	V _{out,pp}	500		900	mV	3
LOS Fault	VLOS fault	2.4		V _{cc} +0.3	V	4
LOS Normal	VLOS norm	-0.3		0.4	V	4

Notes:

1. Connected directly to TX data input pins. AC coupled thereafter.
2. Or open circuit.
3. Into 100 ohms differential termination.
4. Loss Of Signal is LVTTTL. Logic 0 indicates normal operation; logic 1 indicates no signal detected.

V. Pin Assignment



Pin out of Connector Block on Host Board

Pin	Symbol	Name/Description	NOTE
1	V _{EET}	Transmitter Ground (Common with Receiver Ground)	1
2	T _{FAULT}	Transmitter Fault.	2
3	T _{DIS}	Transmitter Disable. Laser output disabled on high or open.	3
4	SDA	2-wire Serial Interface Data Line	4
5	SCL	2-wire Serial Interface Clock Line	4
6	MOD_ABS	Module Absent. Grounded within the module	4
7	RS0	Rate Select 0	5
8	LOS	Loss of Signal indication. Logic 0 indicates normal operation.	6
9	RS1	No connection required	1
10	V _{EER}	Receiver Ground (Common with Transmitter Ground)	1
11	V _{EER}	Receiver Ground (Common with Transmitter Ground)	1
12	RD-	Receiver Inverted DATA out. AC Coupled	
13	RD+	Receiver Non-inverted DATA out. AC Coupled	
14	V _{EER}	Receiver Ground (Common with Transmitter Ground)	1
15	V _{CCR}	Receiver Power Supply	
16	V _{CCT}	Transmitter Power Supply	
17	V _{EET}	Transmitter Ground (Common with Receiver Ground)	1
18	TD+	Transmitter Non-Inverted DATA in. AC Coupled.	
19	TD-	Transmitter Inverted DATA in. AC Coupled.	

20	V_{EET}	Transmitter Ground (Common with Receiver Ground)	1
----	-----------	--	---

Notes:

1. Circuit ground is internally isolated from chassis ground.
2. T_{FAULT} is an open collector/drain output, which should be pulled up with a 4.7k – 10k Ohms resistor on the host board if intended for use. Pull up voltage should be between 2.0V to $V_{CC} + 0.3V$. A high output indicates a transmitter fault caused by either the TX bias current or the TX output power exceeding the preset alarm threshold. A low output indicates normal operation. In the low state, the output is pulled to <0.8V.
3. Laser output disabled on $T_{DIS} > 2.0V$ or open, enabled on $T_{DIS} < 0.8V$.
4. Should be pulled up with 4.7kΩ- 10kΩ host board to a voltage between 2.0V and 3.6V. MOD_ABS pulls line low to indicate module is plugged in.
5. Internally pulled down per SFF-8431 Rev 4.1.
6. LOS is open collector output. It should be pulled up with 4.7kΩ – 10kΩ on host board to a voltage between 2.0V and 3.6V. Logic 0 indicates normal operation; logic 1 indicates loss of signal.

VI. Digital Diagnostic Functions

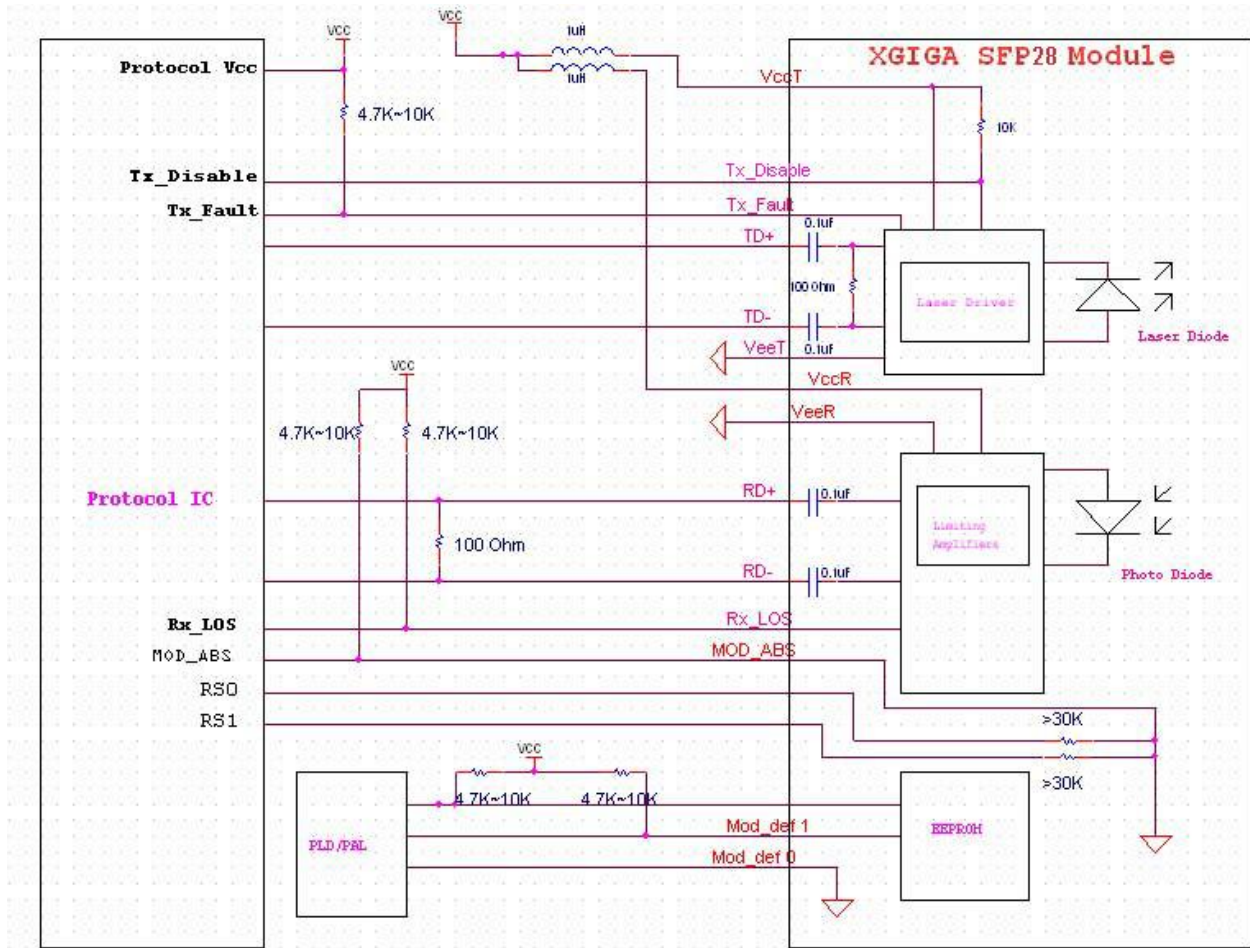
XGIGA XP-13B1-40DA transceivers support the 2-wire serial communication protocol as defined in the SFP28 MSA. The standard SFP serial ID provides access to identification information that describes the transceiver’s capabilities, standard interfaces, manufacturer, and other information.

Additionally, XGIGA SFP28 transceivers provide a unique enhanced digital diagnostic monitoring interface, which allows real-time access to device operating parameters such as transceiver temperature, laser bias current, transmitted optical power, received optical power and transceiver supply voltage. It also defines a sophisticated system of alarm and warning flags, which alerts end-users when particular operating parameters are outside of a factory set normal range.

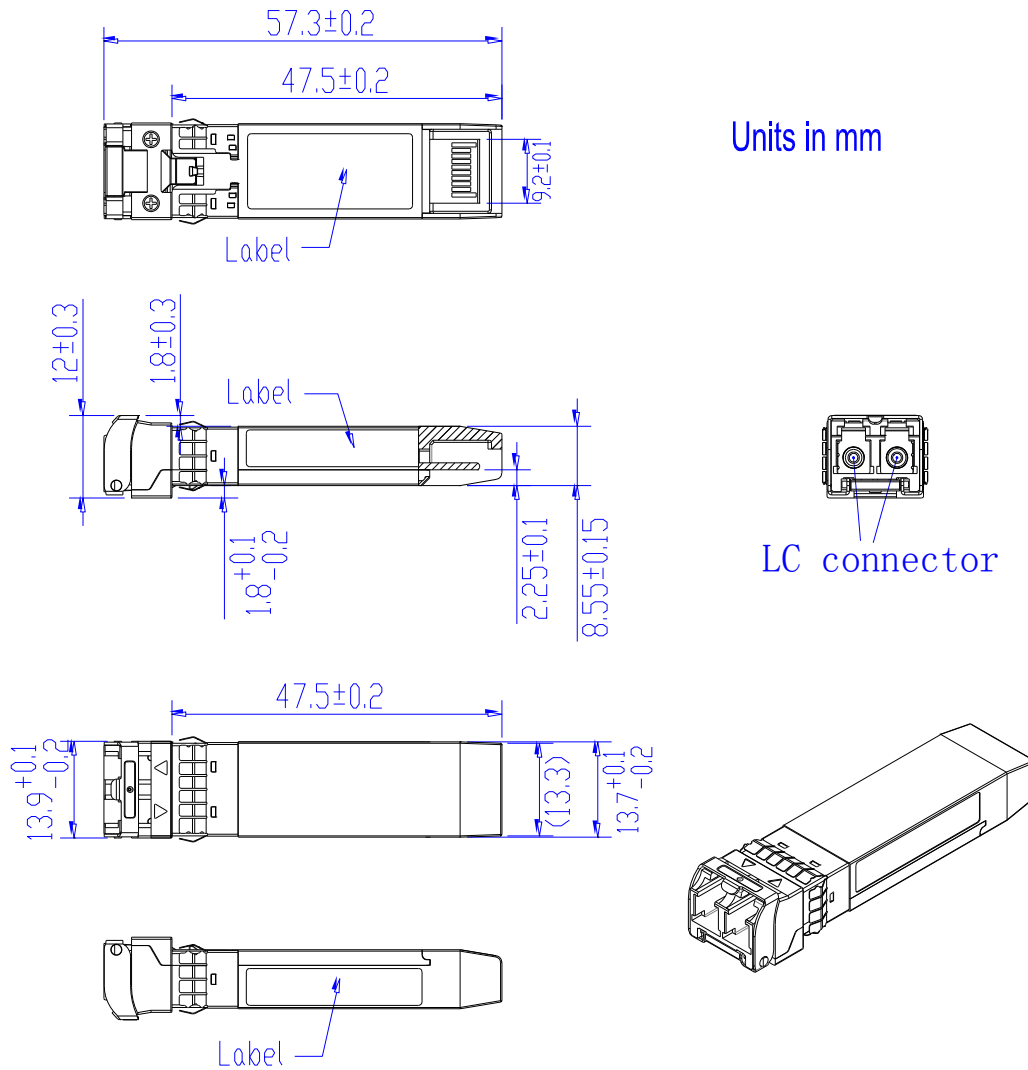
The SFP MSA defines a 256-byte memory map in EEPROM that is accessible over a 2-wire serial interface at the 8 bit address 1010000X (A0h). The digital diagnostic monitoring interface makes use of the 8 bit address 1010001X (A2h), so the originally defined serial ID memory map remains unchanged.

The operating and diagnostics information is monitored and reported by a Digital Diagnostics Transceiver Controller (DDTC) inside the transceiver, which is accessed through a 2-wire serial interface. When the serial protocol is activated, the serial clock signal (SCL, Mod Def 1) is generated by the host. The positive edge clocks data into the SFP transceiver into those segments of the E2PROM that are not write-protected. The negative edge clocks data from the SFP transceiver. The serial data signal (SDA, Mod Def 2) is bi-directional for serial data transfer. The host uses SDA in conjunction with SCL to mark the start and end of serial protocol activation. The memories are organized as a series of 8-bit data words that can be addressed individually or sequentially.

VII. Host - Transceiver Interface Block Diagram



VIII. Outline Dimensions



Appendix A. Document Revision

Version No.	Date	Description
1.0	2019-03-27	Preliminary datasheet
2.0	2020-12-12	Update power dissipation from 1.8W to 2W Update power Supply Current from 500mA to 550mA@ Commercial, from 550mA to 600mA@ Industrial Update Rx Sensitivity from -19.6dBm to -19dBm. Update Rx Sensitivity (OMA) from -17.6dBm to -19dBm. Update Rx Power (OMA) from -5dBm to -4dBm.
3.0	2021-09-09	Update LOS Hysteresis from min 0 to 0.5~5dB