

UMBER <b>GS-20-0489</b>	CATEGORY <b>APPLICATION SPECIFICATION</b>	<b>Amphenol FCI</b>	
<b>TITLE</b>  <b>OCTIS PLUG KIT ASSEMBLY – SFP</b>		PAGE 1 of 7	REVISION B
		GUARDIAN (VERIFIED BY) BONEY THOMAS	DATE 02/20/19
		APPROVED BY BIJU K PAUL	
		CLASSIFICATION : <b>UNRESTRICTED</b>	

**PRELIMINARY**

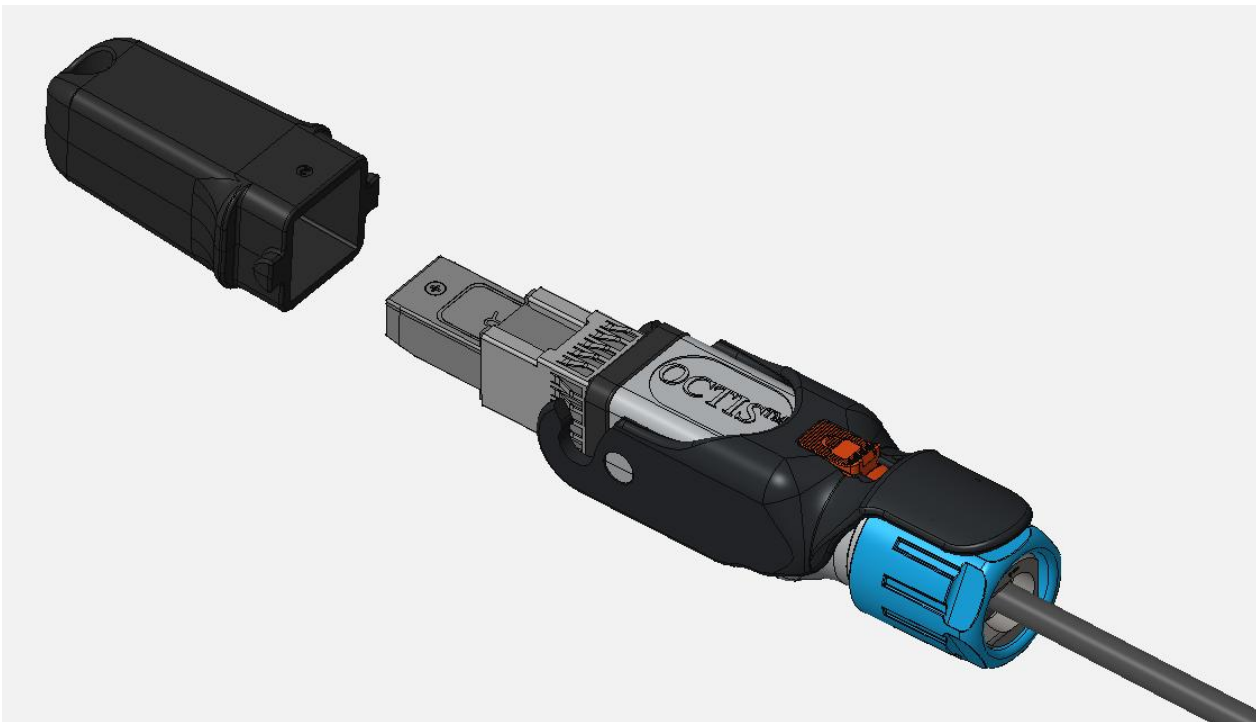
**TABLE OF CONTENTS**

<u>Section:</u>	<u>Page no.</u>
1. OCTIS SFP PLUG KIT ASSEMBLY .....	2
2. OBJECTIVE.....	2
3. SCOPE .....	2
4. GENERAL .....	2
5. DRAWINGS AND APPLICABLE DOCUMENTS .....	3
6. APPLICATION REQUIREMENTS .....	3
7. PIECE PARTS DETAILS .....	3
8. THE PLUG KIT ASSEMBLY PROCEDURE.....	4
9. REVISION RECORD .....	13

NUMBER <b>GS-20-0489</b>	CATEGORY <b>APPLICATION SPECIFICATION</b>	<b>Amphenol FCI</b>	
<b>OCTIS PLUG KIT ASSEMBLY – SFP</b>		PAGE 2 of 7	REVISION <b>B</b>
		GUARDIAN (VERIFIED BY) <b>BONEY THOMAS</b>	DATE <b>02/20/19</b>
		APPROVED BY <b>BIJU K PAUL</b>	
		CLASSIFICATION : <b>UNRESTRICTED</b>	

## 1. OCTIS PLUG KIT ASSEMBLY - SFP

AFCI SFP Plug kit Part Number 10135746-101LF  
(Transceiver and LC Duplex cable are excluded from the kit)



## 2. OBJECTIVE

This specification provides information and requirements for customer application of the OCTIS SFP plug kit assembly. It is intended to provide general guidance for application process development. It should be recognized that no single process will work under all customer applications and that customers should develop processes to meet individual needs. However, if the process varies greatly from the recommended one, AFCI cannot guarantee acceptable results.

## 3. SCOPE

This specification provides information and requirements on the assembly of the OCTIS SFP plug kit (AFCI part number: 10135746-101LF) at customer premises.

NUMBER <b>GS-20-0489</b>	CATEGORY <b>APPLICATION SPECIFICATION</b>	<b>Amphenol FCI</b>	
TITLE <b>OCTIS PLUG KIT ASSEMBLY – SFP</b>		PAGE 3 of 7	REVISION <b>B</b>
		GUARDIAN (VERIFIED BY) <b>BONEY THOMAS</b>	DATE <b>02/20/19</b>
		APPROVED BY <b>BIJU K PAUL</b>	
CLASSIFICATION : <b>UNRESTRICTED</b>			

#### 4. GENERAL

This document is a general application guide. If there is a conflict between the product drawings and this specification, the drawings take precedence.

#### 5. DRAWINGS AND APPLICABLE DOCUMENTS

AFCI product drawings and specifications are available by accessing the AFCI website or contacting the AFCI Technical Service. In the event of a conflict between this specification and the product drawing, the drawing takes precedence. Customers should refer to the latest revision level of AFCI product drawings for appropriate product details.

- Product Specification GS-12-1141 (SFP+ board connector )
- Application specification GS-20-0385 (SFP+ board connector )
- SFP Board connector Part Number - 10122424-X01LF
- SFP Board connector cage Part number- 10133694-101LF
- SFP Plug kit Part Number - 10135746-101LF

#### 6. APPLICATION REQUIREMENTS

- Plug kit supplied by AFCI
- Standard LC Duplex cable assembly and SFP/SFP+ transceiver module.

#### 7. PIECE PARTS

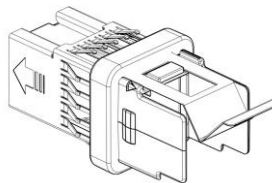
Necessary piece parts and sub assemblies to make OCTIS SFP plug kit assembly is shown below:

##### 7.1 Parts supplied in Octis SFP field terminable plug kit.

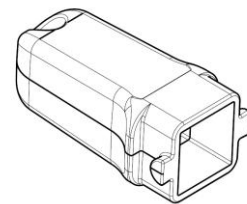
Housing subset kit



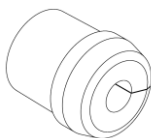
Holder subset kit



Plug cap



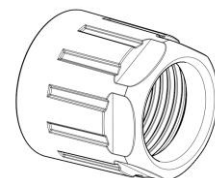
Split Rubber gland



Tightening cone



Gland nut



NUMBER <b>GS-20-0489</b>	CATEGORY <b>APPLICATION SPECIFICATION</b>	<b>Amphenol FCI</b>	
TITLE <b>OCTIS PLUG KIT ASSEMBLY – SFP</b>		PAGE 4 of 7	REVISION <b>B</b>
		GUARDIAN (VERIFIED BY) <b>BONEY THOMAS</b>	DATE <b>02/20/19</b>
		APPROVED BY <b>BIJU K PAUL</b>	
		CLASSIFICATION : <b>UNRESTRICTED</b>	

- Rubber gland selection

$\Phi D^*$	Recommended gland size
From 4.8 min to 5.8 Max	" $\Phi 6$ "
From 5.8 min to 6.8 Max	" $\Phi 7$ "
From 6.8 min to 7.8 Max	" $\Phi 8$ "
From 7.8 min to 8.8 Max	" $\Phi 9$ "
From 8.8 min to 9.8 Max	" $\Phi 10$ "
From 10.3 min to 11.3 Max	" $\Phi 11.5$ "

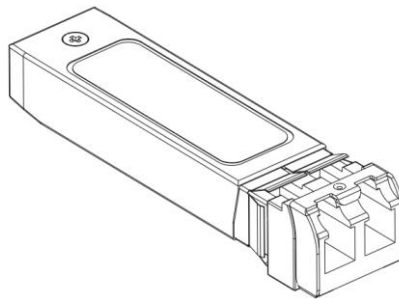
Gland size is written on the gland edge



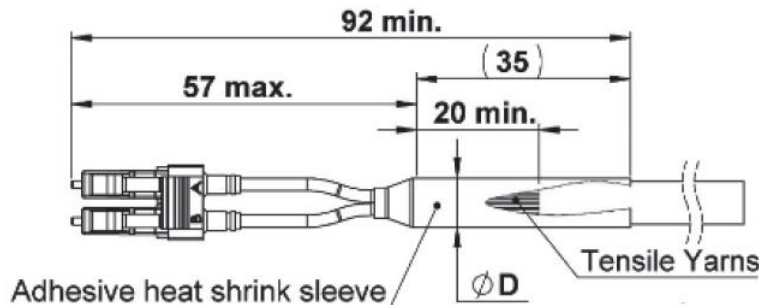
\*Cable diameter under the gland. If the cable has a sleeve, the diameter over the sleeve should be considered  
The tolerances of  $\Phi D$  should be taken into account to make sure it is always within the specified range

## 7.2 Other parts required for the plug - cable assembly

- A. SFP/SFP+ Transceiver module



- B. LC duplex connector cable assembly



NUMBER <b>GS-20-0489</b>	CATEGORY <b>APPLICATION SPECIFICATION</b>	<b>Amphenol FCI</b>	
TITLE <b>OCTIS PLUG KIT ASSEMBLY – SFP</b>		PAGE 5 of 7	REVISION <b>B</b>
		GUARDIAN (VERIFIED BY) <b>BONEY THOMAS</b>	DATE <b>02/20/19</b>
		APPROVED BY <b>BIJU K PAUL</b>	
CLASSIFICATION : <b>UNRESTRICTED</b>			

Fan out dimensions

## 8. APPLICATION PROCEDURE

### 8.1 Assembly instruction

PAGE 1/2	ISSUE 10/09/2018	SERIES OCTIS	PART NUMBER	10135746-XXXLF
----------	------------------	--------------	-------------	----------------

Assembly instruction

ΦD*	Recommended gland size
From 4.8 min to 5.8 Max	*Φ6"
From 5.8 min to 6.8 Max	*Φ7"
From 6.8 min to 7.8 Max	*Φ8"
From 7.8 min to 8.8 Max	*Φ9"
From 8.8 min to 9.8 Max	*Φ10"
From 10.3 min to 11.3 Max	*Φ11.5"

\*Cable diameter under the gland. If the cable has a sleeve, the diameter over the sleeve should be considered. The tolerances of ΦD should be taken into account to make sure it is always within the specified range.

1

2

3

4

5

6

7

8

9

10

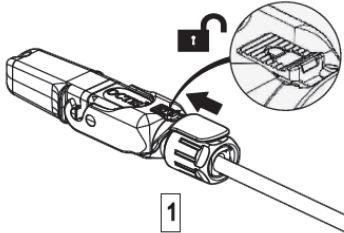
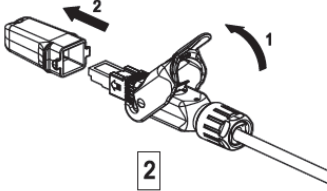
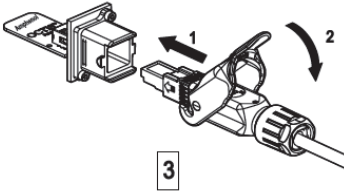
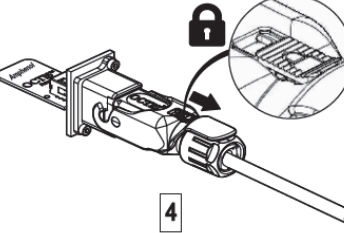
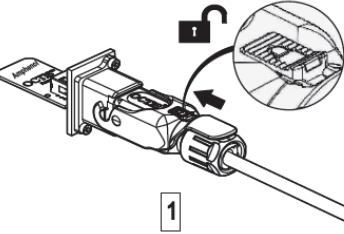
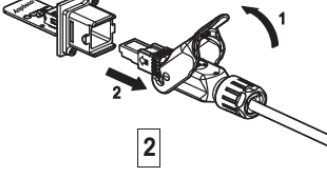
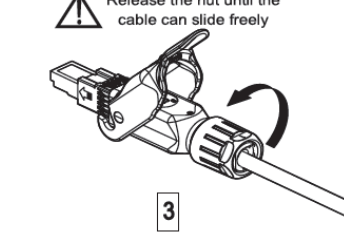
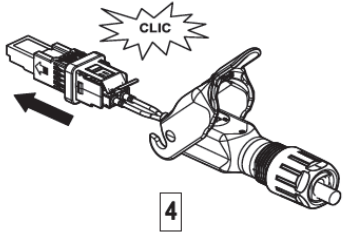
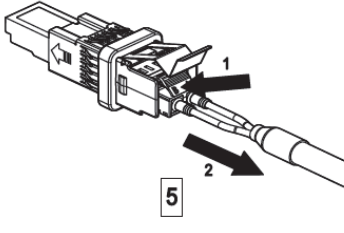
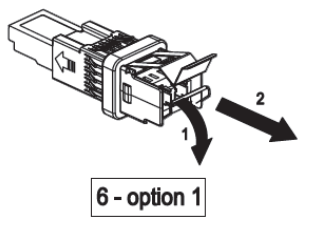
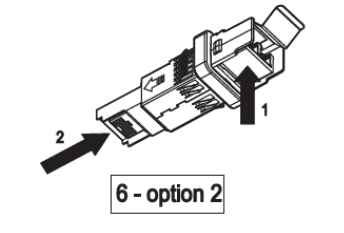
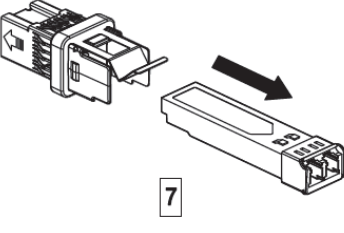
11

NUMBER <b>GS-20-0489</b>	CATEGORY <b>APPLICATION SPECIFICATION</b>	<b>Amphenol FCI</b>	
TITLE <b>OCTIS PLUG KIT ASSEMBLY – SFP</b>		PAGE 6 of 7	REVISION <b>B</b>
		GUARDIAN (VERIFIED BY) <b>BONEY THOMAS</b>	DATE <b>02/20/19</b>
		APPROVED BY <b>BIJU K PAUL</b>	
CLASSIFICATION : <b>UNRESTRICTED</b>			

## 8.2 Mating instruction and SFP replacement

PAGE 2/2	ISSUE 10/09/2018	SERIES OCTIS	PART NUMBER	10135746-XXXLF
----------	------------------	--------------	-------------	----------------

<b>Mating instruction</b>				
				
				
	<p>Release the nut until the cable can slide freely</p> <p>CLIC</p>			

**Note:** User instruction will be available in Octis plug kit

UMBER <b>GS-20-0489</b>	CATEGORY <b>APPLICATION SPECIFICATION</b>	<b>Amphenol FCI</b>	
<b>TITLE</b>  <b>OCTIS PLUG KIT ASSEMBLY – SFP</b>		PAGE 7 of 7	REVISION B
		GUARDIAN (VERIFIED BY) BONEY THOMAS	DATE 02/20/19
		APPROVED BY BIJU K PAUL	
		CLASSIFICATION : <b>UNRESTRICTED</b>	

## 9. REVISION RECORD

REV	PAGE	DESCRIPTION	EC #	DATE
A	All	NEW DOCUMENT	-	10/31/2016
B	All	Correcting assembly instructions	ELX-I-32723-1	02/19/2019