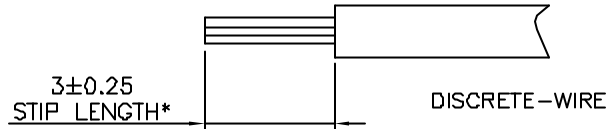
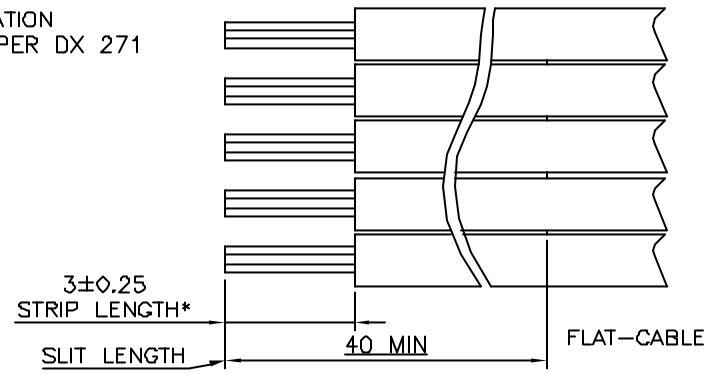
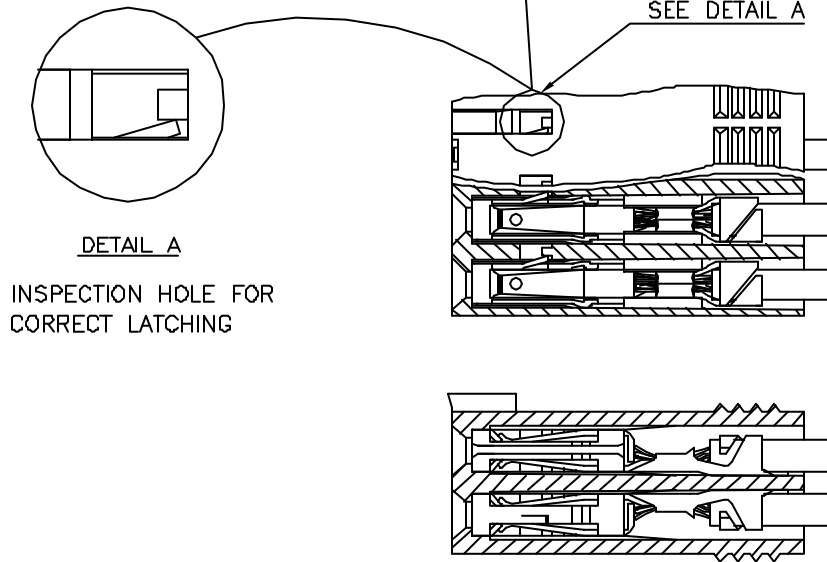
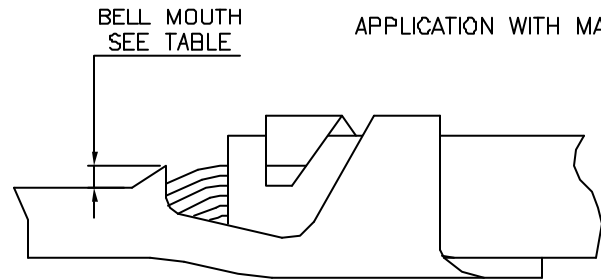
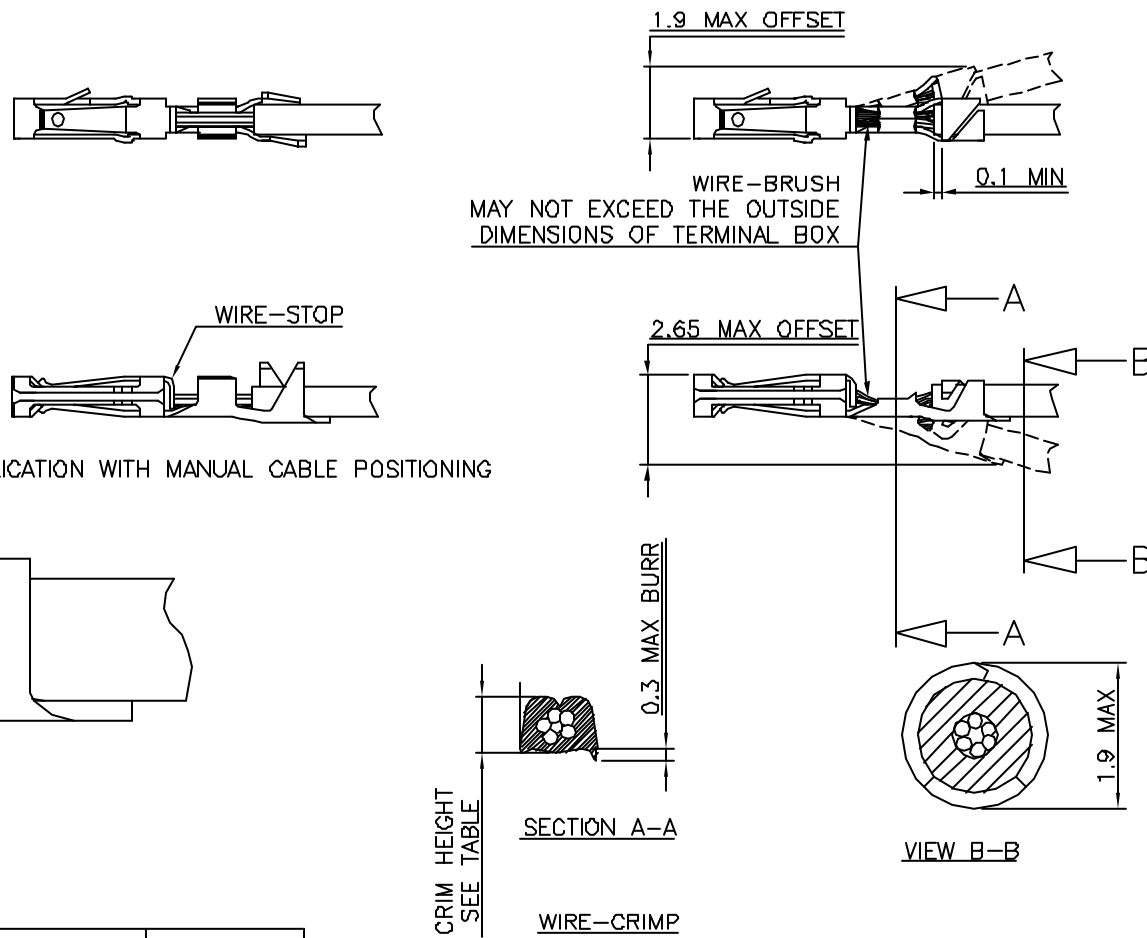
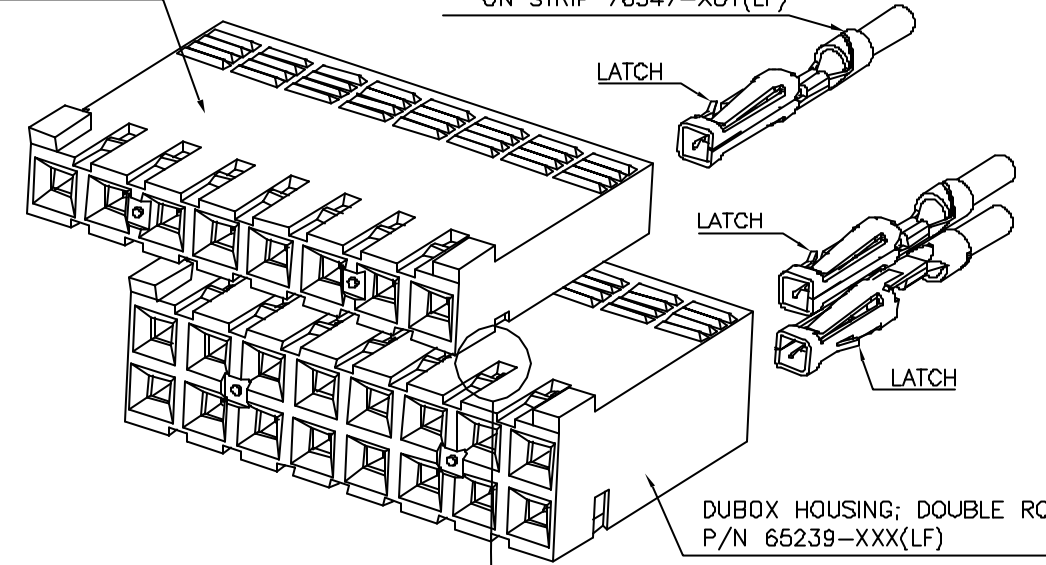


*2.50±0.20 FOR APPLICATION
MACHINE STRIPPER CRIMPER DX 271
ONLY.



DUBOX HOUSING; SINGLE ROW
P/N 65240-XXX(LF)

DUBOX TERMINAL
LOOSE PIECE 76357-XOY(LF)
ON STRIP 76347-XDY(LF)



WIRE SIZE AWG	CRIMP HEIGHT STRANDED WIRE		BELL-MOUTH
	MACHINE	HAND TOOL	
30	0.66±0.04	0.63-0.7	0.20±0.05
28	0.66±0.04		+0.1 0.2-0.05
26	0.69±0.04	0.83-0.89	0.15±0.10
24	0.84±0.04		
22	0.87±0.04		

mat'l. code	surface	tolerance	projection	product family
lfr ecn no dr date	ISO 1302	ISO 416 ISO 1101	ISO 10	DUBOX
F 30685 PNZ 90.10.08	tolerances unless otherwise specified	angles	mm	title
G F00168 DLE 00.03.20	linear	scale N/A		DUBOX CTW APPLICATION DATA
H F04-0375 DLE 04.11.24				dwg no
J F06-0234 DLE 06.07.12	dr D LEGRAND 00.03.20			sheet 1 of 1
	enrg P NIZZI 00.03.20			size
	chr JF NOTTEAU 00.03.20			A2
	appd PNZ 00.03.20			type
				CUSTOMER Drawing
sheet index	revision sheet			