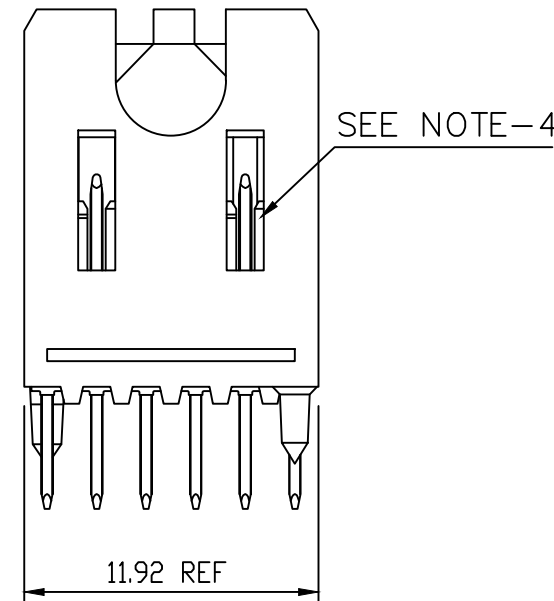
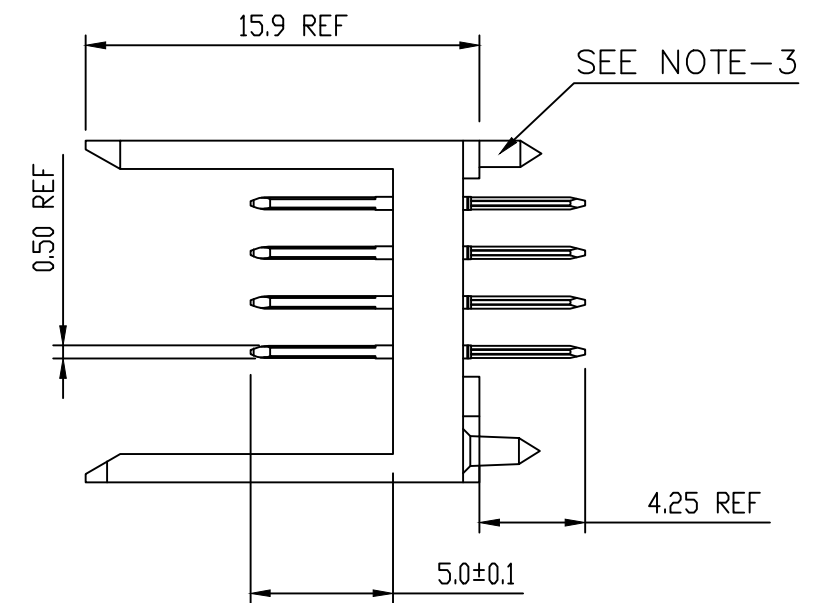
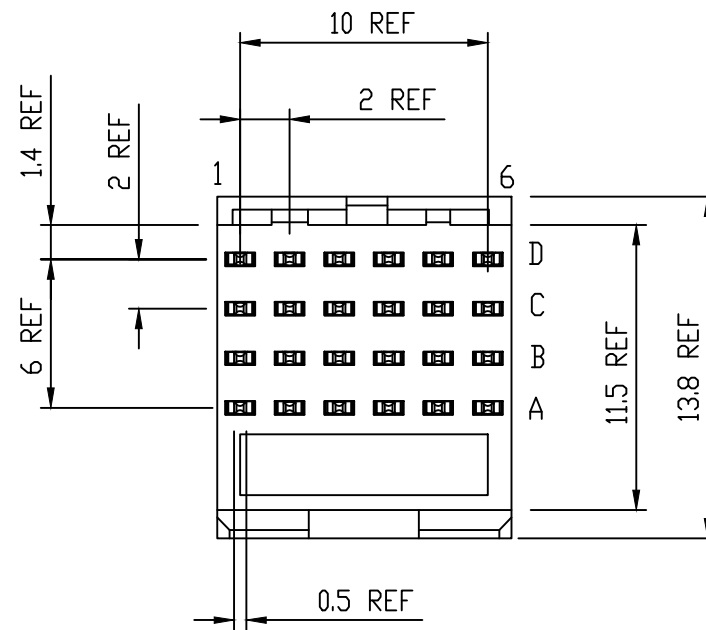


LAYOUT FOR PCB
CONNECTOR SIDE VIEW
FOR PTH DETAILS REFER DRAWING 58351



REFER NOTE-2

HM1N41ATR400HXLF-XY YLF

NOTES:

1. MATERIAL : BODY : LCP UL94-V0
: CONTACT : COPPER ALLOY.
2. FOR PLATING PERFORMANCE REFER DRAWING # 10159409 $\triangle K$
3. TWO PEGS AT EACH END ONLY.
4. CAVITY FOR CODING KEY MOUNTING AND CABLE CONNECTOR LATCH.
5. IF SUFFIX "P" IS ADDED IN P/N, PACKING IN TRAYS BUT CONNECTOR MARKING WITH OUT "P"
FOR EXAMPLE: HM1NxxxxxxxxHXPLF, MARKED HM1NxxxxxxxxHXLF.
6. GENERAL CHARACTERISTICS AND ROHS INFORMATIONS: SEE DRAWING C-8626-000S.
7. THIS PRODUCT MEETS EUROPEAN UNION DIRECTIVES AND OTHER COUNTRY REGULATIONS
AS DESCRIBED IN GS-47- 0004.
8. A $\triangle K$ SYMBOL WILL BE NEXT TO ANY DIMENSION, VIEW, OR NOTE WHICH HAS BEEN MODIFIED
WITH THE CURRENT DRAWING REVISION.

SPECIFIC DATAS:

VISUAL INSPECTION: 100%

- MARKING FAILURES.
- HOUSING MATERIAL FAILURES.
- SPOILT HOUSING.
- STAINED HOUSING.
- BROKEN CONTACTS (TWISTED OR LOOSEN).

mat'l. code				surface	tolerance	projection	product family			
				ISO 1302	ISO 406	ISO 1101	METRAL			
tolerances unless otherwise specified						mm		title		
ltr	ecn no	dr	date	angles	linear			METRAL SIGNAL HEADER		
A	DG10-0190	TER	2010-06-05	0°±2°				1 MOD 4 ROW NARROW BODY STB		
B	ELX-1-38990	MINI	2020-11-17			scale -		dwg no		
				dr	TERRAN.H	2010-06-05			sheet 1 of 1	
				enr	ARUN	2020-11-17			size	
				chr	ALEX BABU	2020-11-17			10114951	
				appd	SANOJ	2020-11-17			A3	
sheet index		revision	B							
		sheet	1							