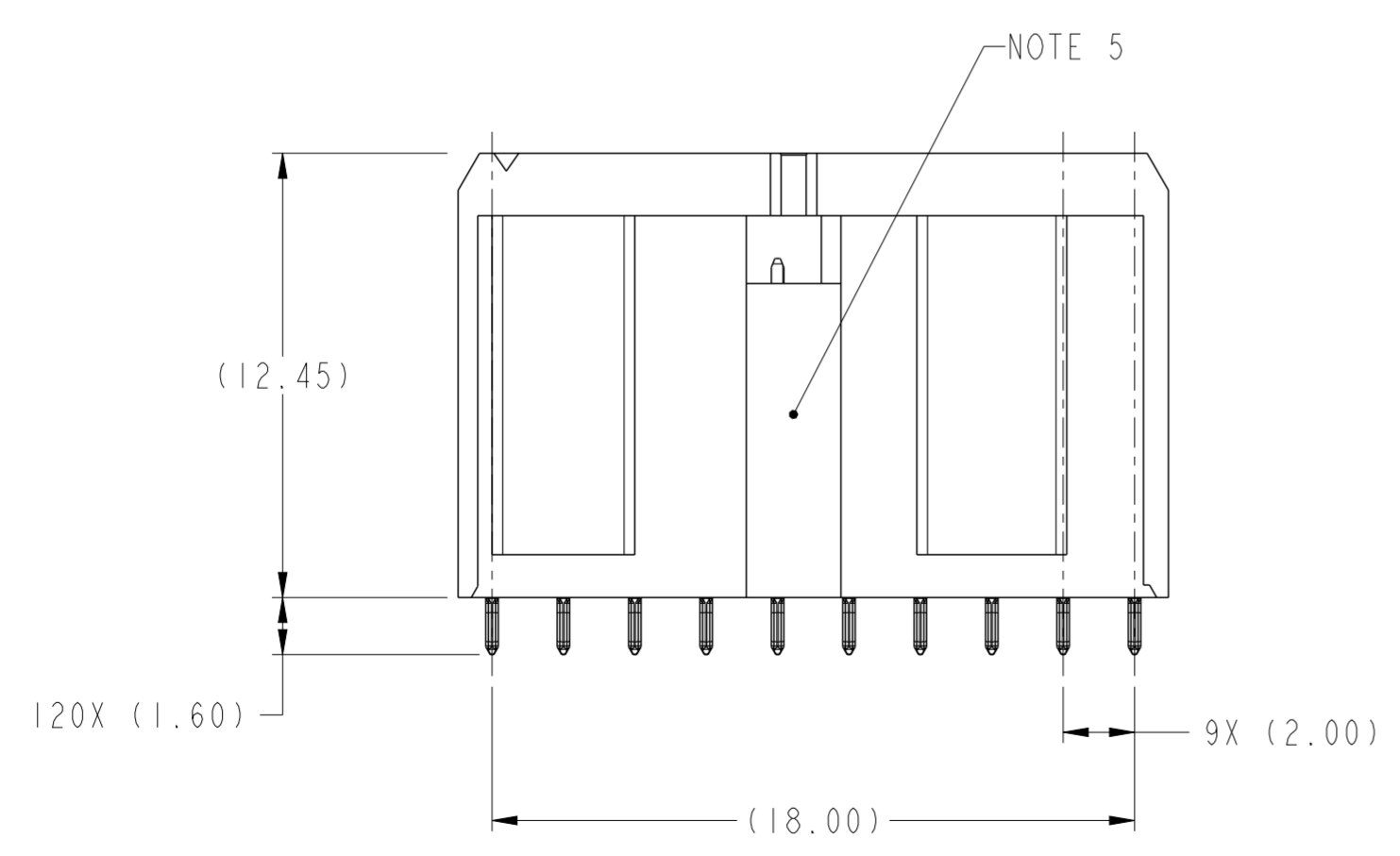
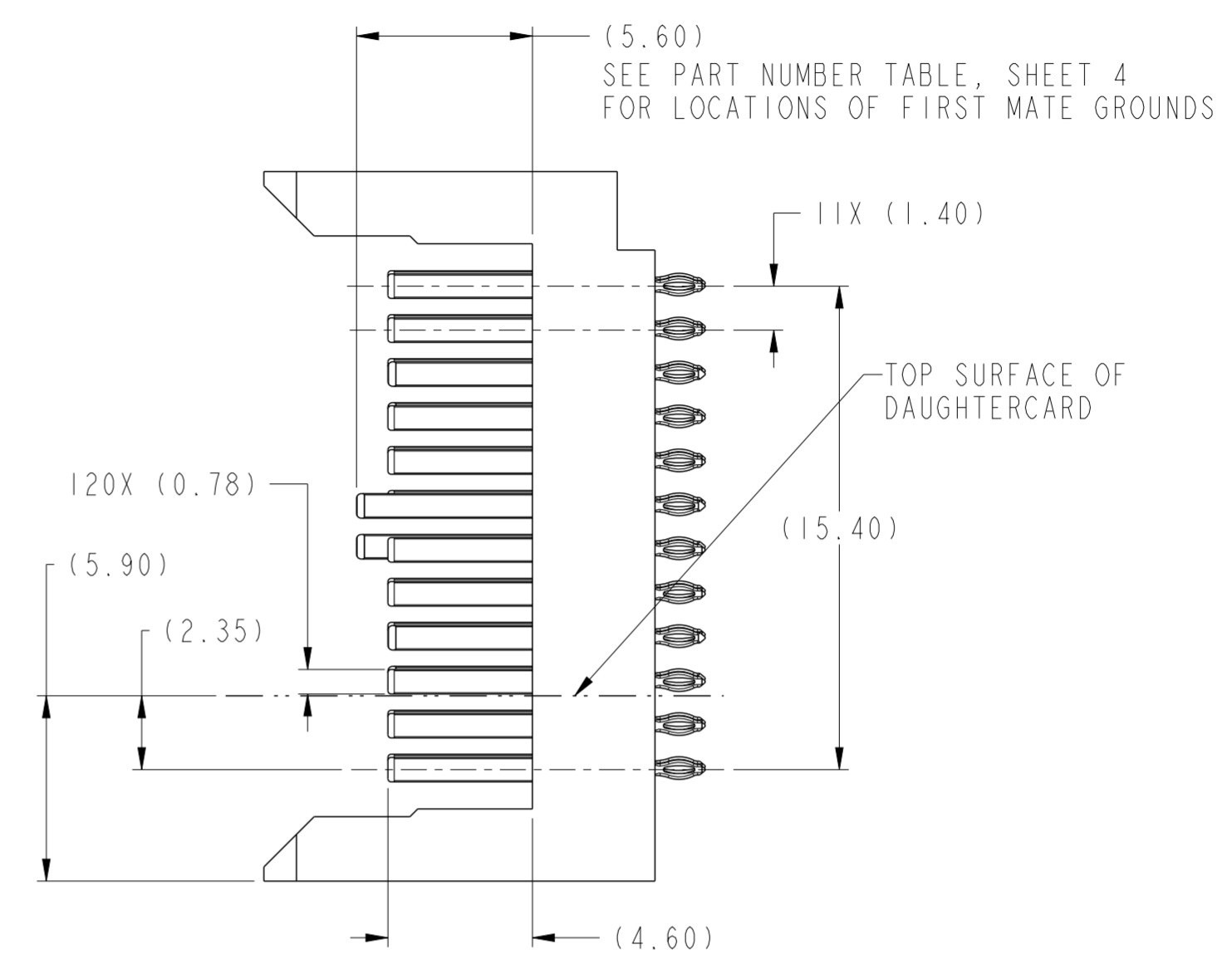
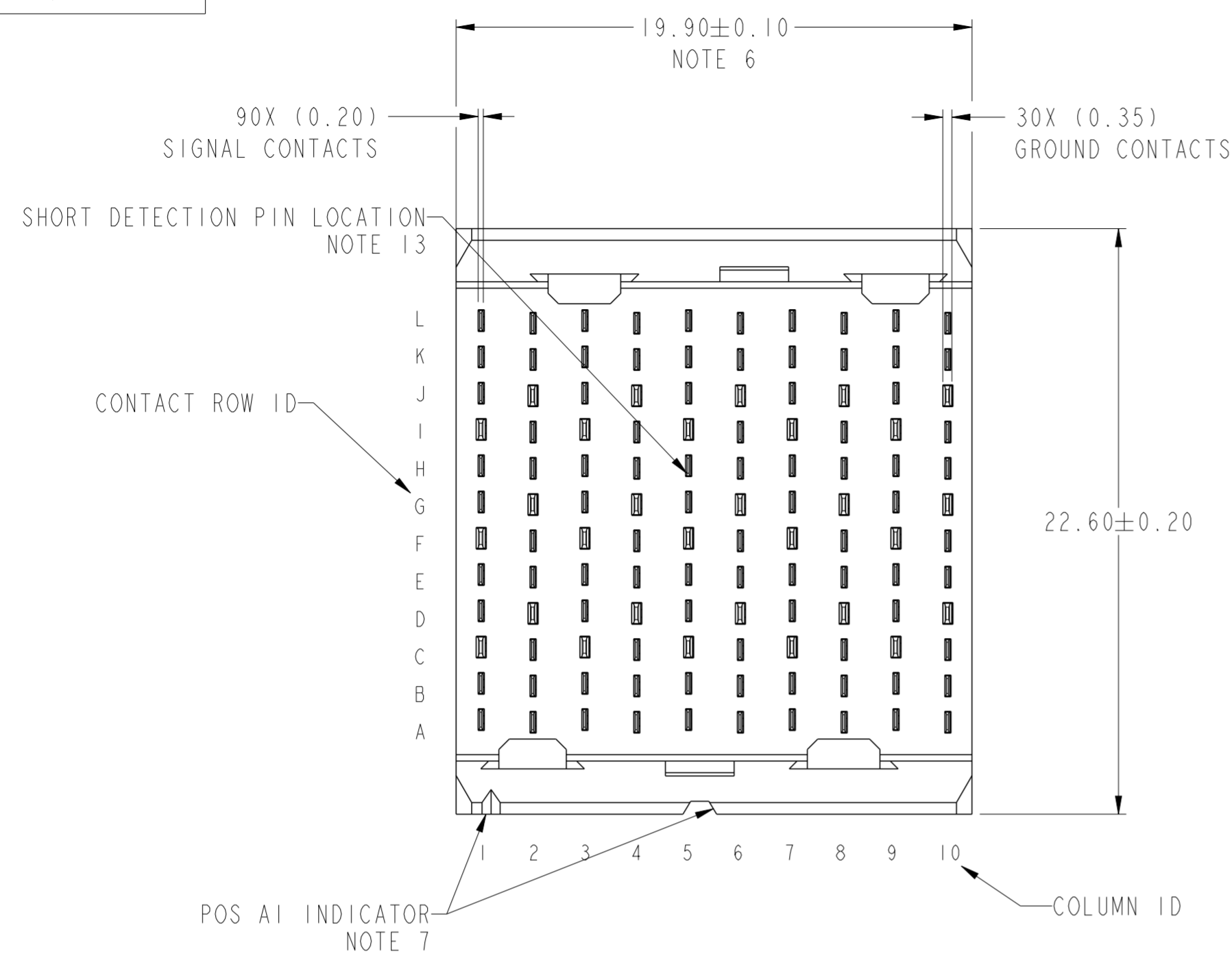


Product number  
SEE TABLE, SHT 4

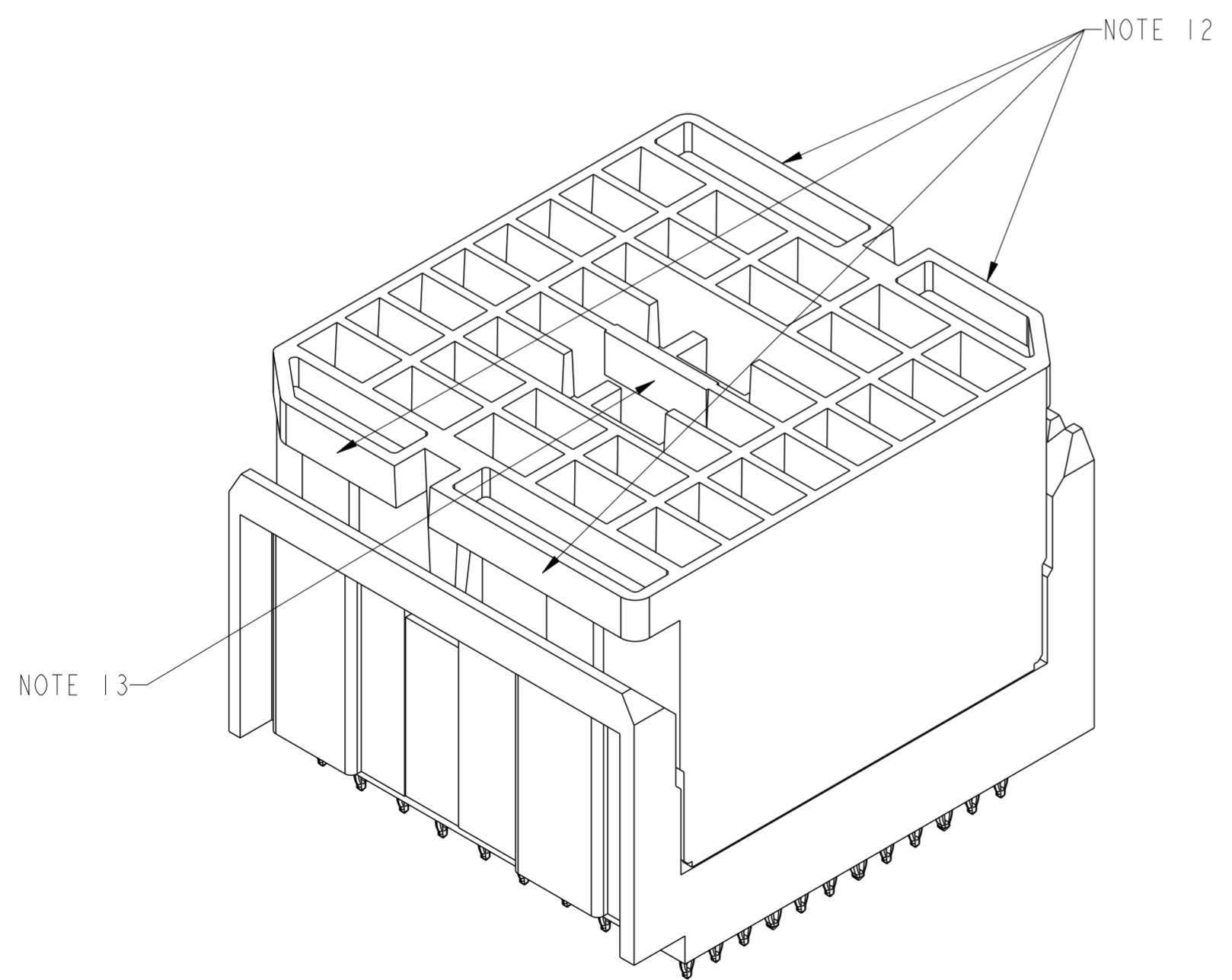
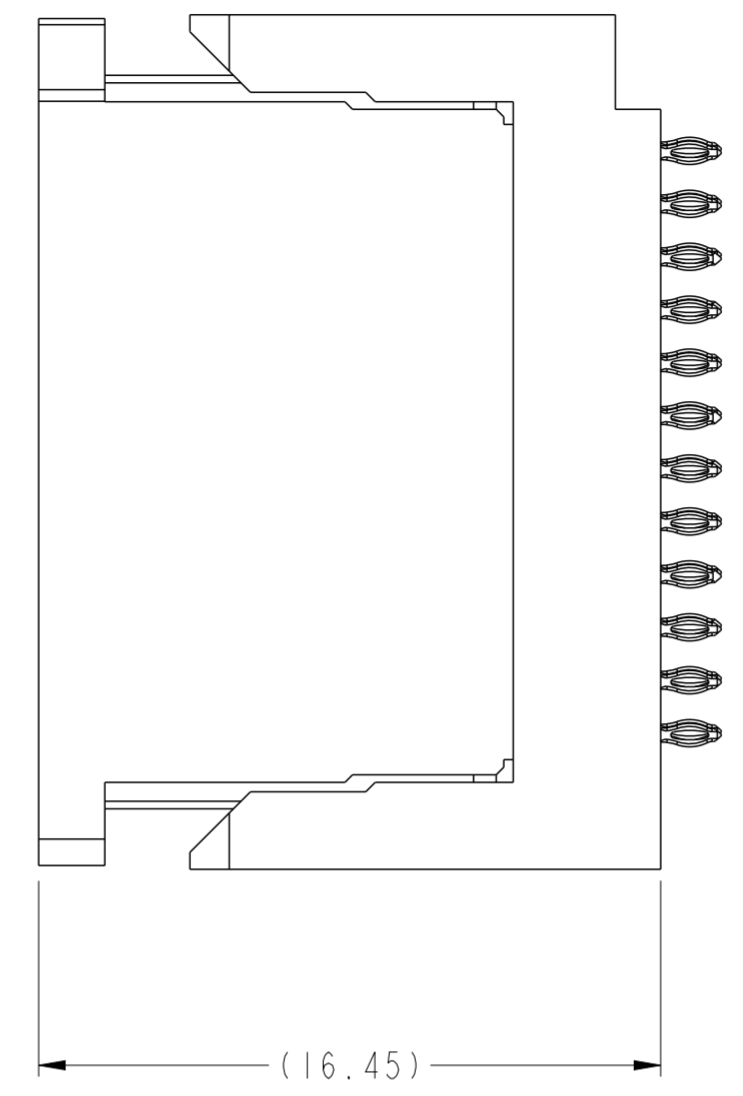
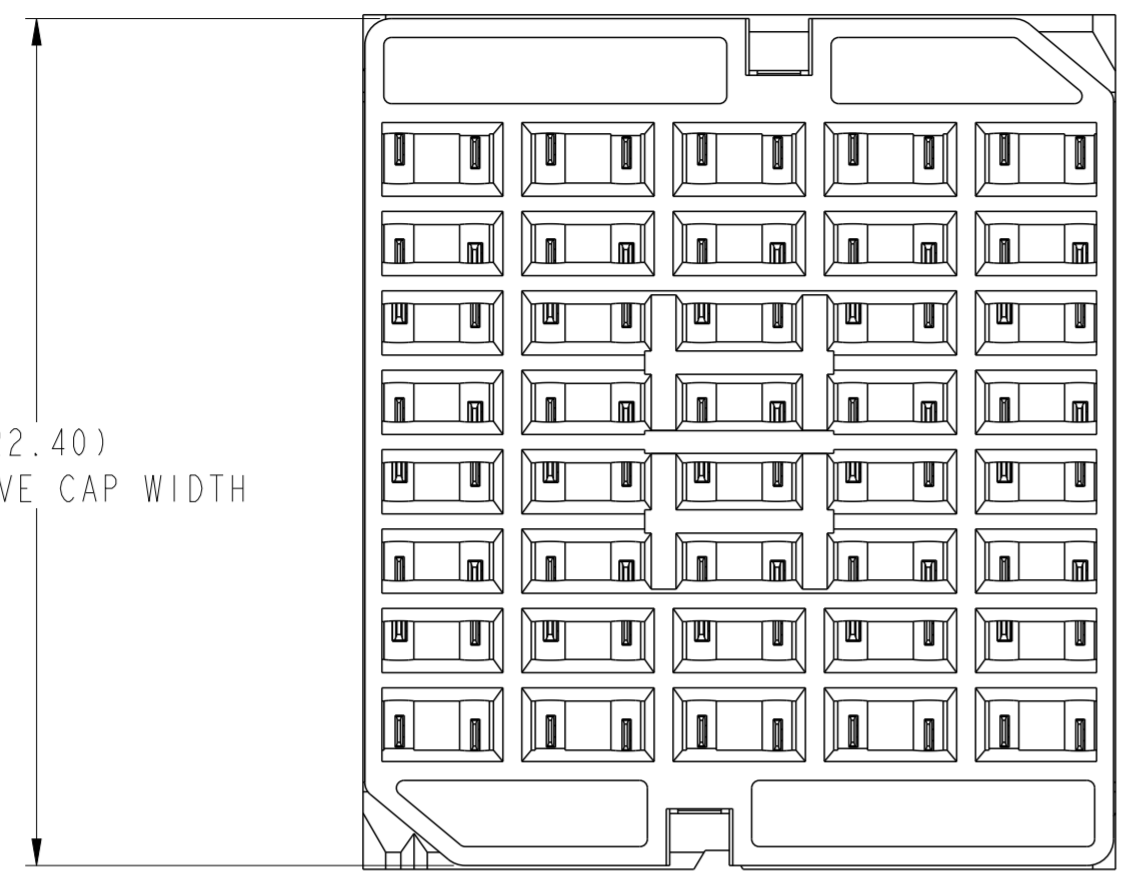


spec ref	-	dr	Sandar Soe	2012/09/13	projection	MM	size	A2	scale	5:1
tolerance std	ASME Y14.5	eng	Terry Luo	2020/09/08	chr	-	ecn no	ELX-DG-38252-1	rel level	Released
TOLERANCES UNLESS OTHERWISE SPECIFIED		appr	Heaven Cen	2020/09/17	product family	AIRMAX VS	rel level	Released		
surface	-	linear	0.X	±0.3	Amphenol FCi	AIRMAX VS2 VERTICAL HEADER 4 PAIR 120 POS 2MM 10 COL,GXT+	divg no	10122770	rev	D
			0.XX	±0.10						
			0.XXX	±0.050						
		angular	0°	±2°	cat. no.	-	Product - Customer Drw	sheet 1 of 4		

Amphenol  
FCi

© 2016 AFCI

(22.40)  
PROTECTIVE CAP WIDTH



VIEWS SHOWN WITH  
PROTECTIVE COVER INSTALLED  
10122770-1\*1LF

Amphenol  
FCi

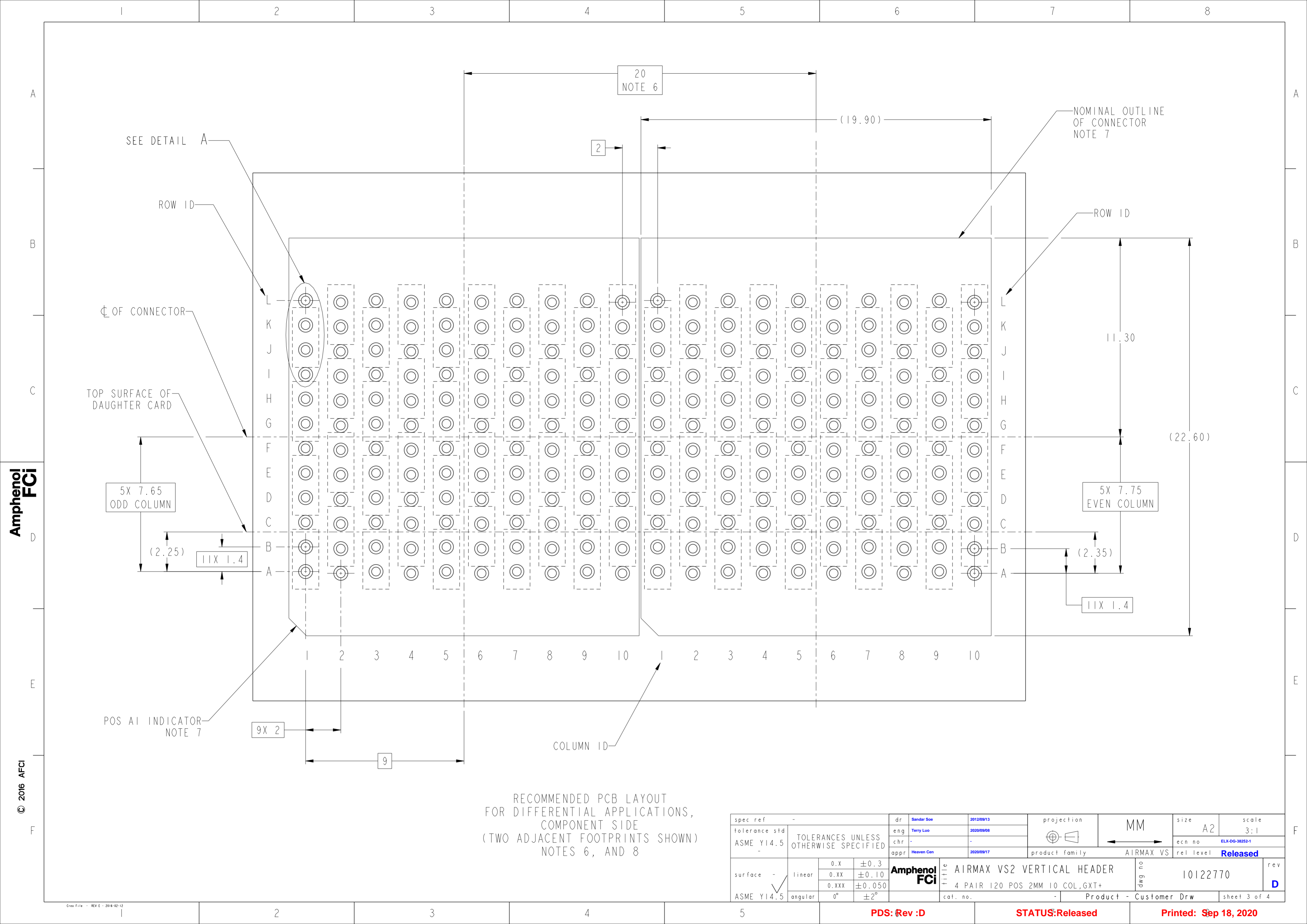
© 2016 AFCI

spec ref	-	dr	Sandar Soe	2012/09/13	projection	MM	size	A2	scale	5:1	
tolerance std	ASME Y14.5	eng	Terry Luo	2020/09/08			ecn no	ELX-DG-38252-1			
		chr	-	appr			Heaven Cen	2020/09/17	product family	AIRMAX VS	rel level
surface	-	linear	0.X	±0.3		<b>AIRMAX VS2 VERTICAL HEADER</b> 4 PAIR 120 POS 2MM 10 COL,GXT+	cat. no.	10122770		rev	D
			0.XX	±0.10			Product - Customer Drw	sheet 2 of 4			
		angular	0°	±2°							

PDS: Rev :D

STATUS:Released

Printed: Sep 18, 2020



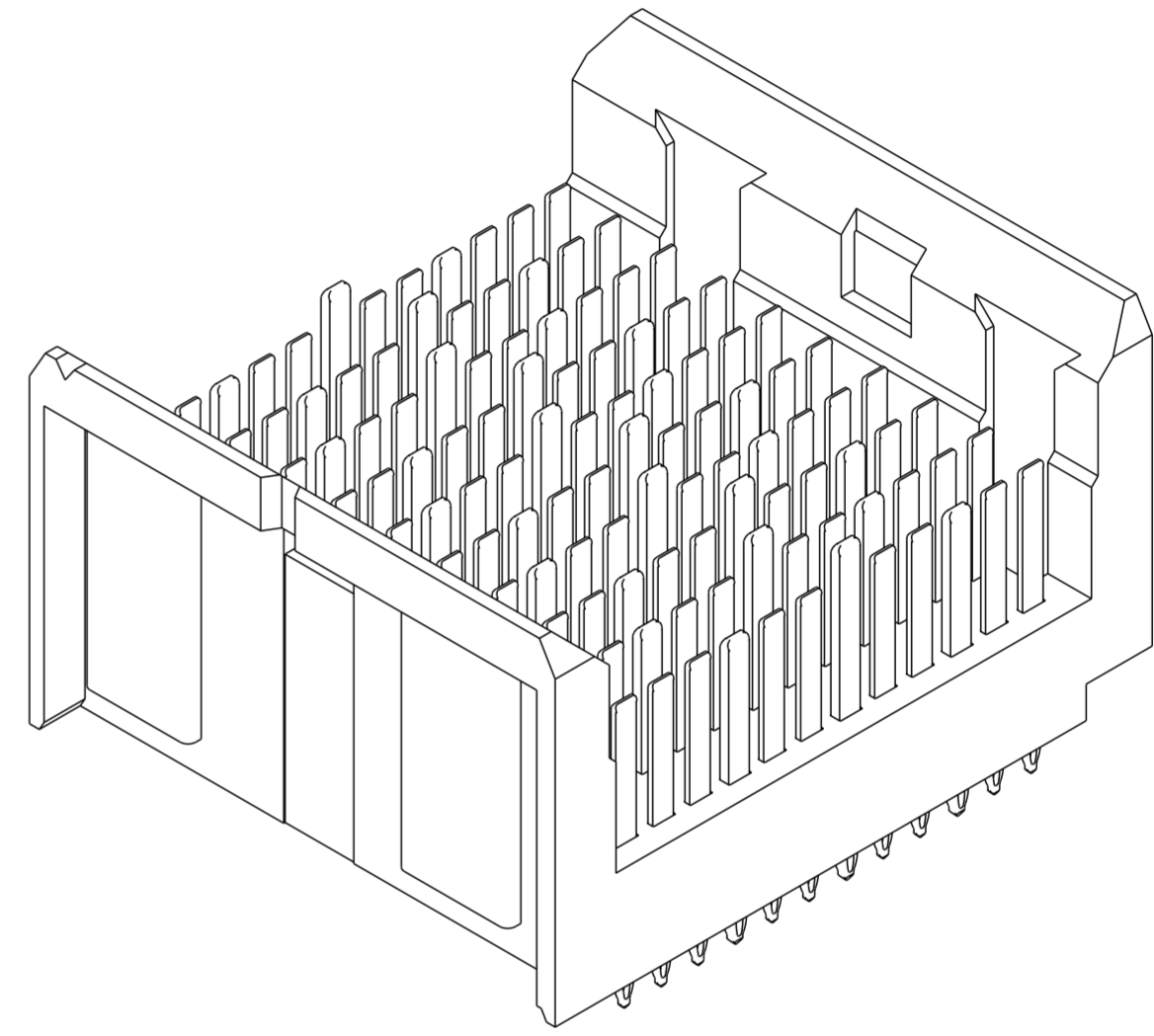
RECOMMENDED PCB LAYOUT  
 FOR DIFFERENTIAL APPLICATIONS,  
 COMPONENT SIDE  
 (TWO ADJACENT FOOTPRINTS SHOWN)  
 NOTES 6, AND 8

spec ref	-	dr	Sandar Soe	2012/09/13	projection	MM	size	A2	scale	3:1
tolerance std	ASME Y14.5	eng	Terry Luo	2020/09/08			ecn no	ELX-DG-38252-1		
		chr	-	2020/09/17				product family	AIRMAX VS	rel level
surface	-	appr	Heaven Cen	2020/09/17	<b>Amphenol FCI</b>			title	AIRMAX VS2 VERTICAL HEADER	
ASME Y14.5	linear	0.X	±0.3	0.XX	±0.10	0.XXX	±0.050	4 PAIR 120 POS 2MM 10 COL,GXT+	cat. no.	-
	angular	0°	±2°	<b>Amphenol FCI</b>			part no	10122770	rev	D
					Product - Customer Drw			sheet 3 of 4		

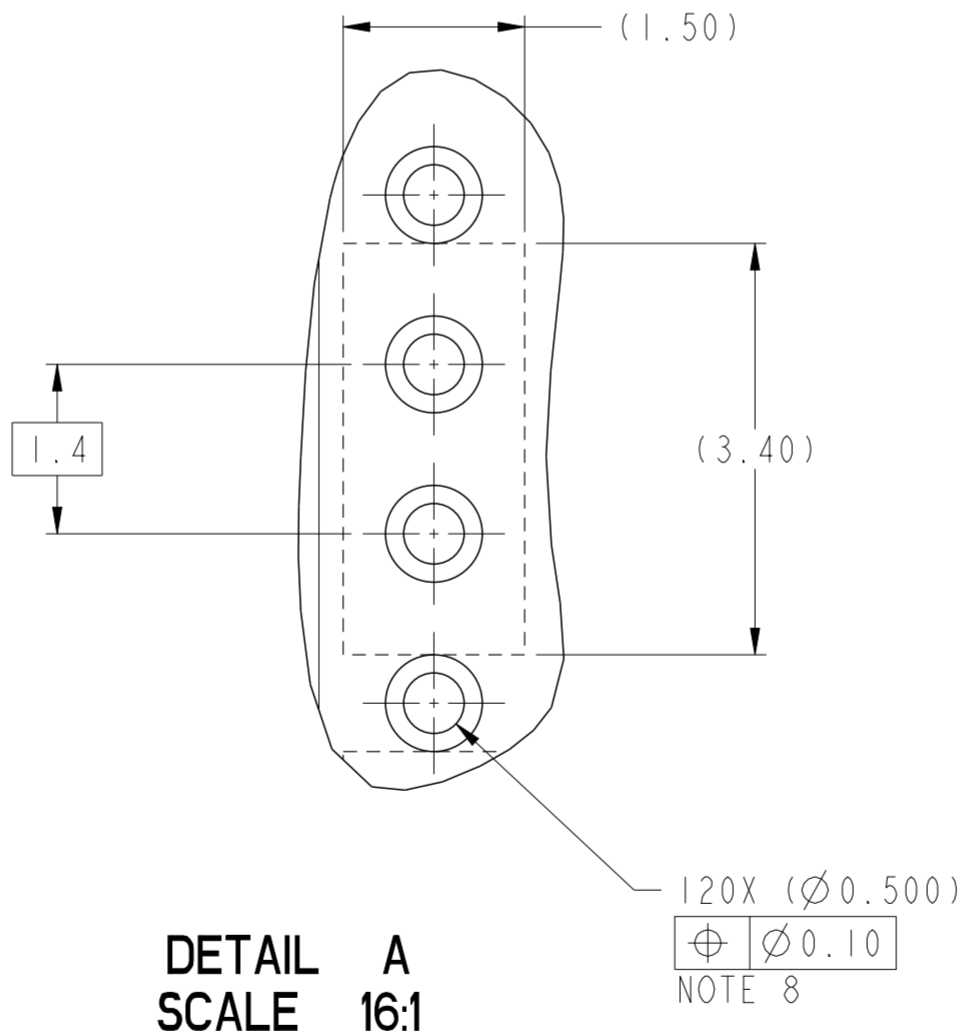
PART NUMBER	PRESS-FIT TAIL PLATING TYPE	DETECTION PIN	PROTECTIVE COVER	LONG GND PIN LOCATIONS (5.6mm)	REMARKS
10122770-101LF	TIN OVER NICKEL (LEAD FREE)	NO	YES	F1, F3, F5, F7, F9, G2, G4, G6, G8, G10	2-SIDED PLATING
10122770-111LF		YES	YES		
10122770-121LF		YES	YES	NO LONG GND PIN	

NOTES:

- CONNECTOR MATERIALS:  
HOUSING: HIGH TEMP THERMOPLASTIC, BLACK, UL94V-0  
CONTACT: COPPER ALLOY
- CONTACT PLATING:  
SEPARABLE INTERFACE: PERFORMANCE-BASED PLATING, QUALIFIED TO MEET THE REQUIREMENTS OF FCI PRODUCT SPECIFICATION GS-12-239 INCLUDING TELCORDIA GR-1217-CORE (NOVEMBER 1995) CENTRAL OFFICE TEST SEQUENCE  
PRESS-FIT TAILS: SEE TABLE
- PRODUCT SPECIFICATION: GS-12-239.
- APPLICATION SPECIFICATION: GS-20-035.
- PRODUCT MARKING, (PROTOTYPE, PART NUMBER & LOT CODE), ON THIS SURFACE.
- THE MINIMUM CENTERLINE SPACING BETWEEN ADJACENT MODULES IS 20.0 mm.
- CONNECTOR OUTLINE WITH HOUSING POS AI INDICATOR MAY BE SCREEN PRINTED ONTO CUSTOMER PCB TO BE USED AS A GUIDE FOR MANUAL CONNECTOR PLACEMENT.
- REFER TO CUSTOMER DRAWING 10104444 FOR INFORMATION ON PCB HOLE DIAMETERS AND PLATING OPTIONS.
- THIS PRODUCT MEETS EUROPEAN UNION DIRECTIVES AND OTHER COUNTRY REGULATIONS AS DESCRIBED IN GS-22-008.
- PACKAGING MEETS GS-14-920 LEAD FREE LABELING SPECIFICATION.
- FOR REMOVAL OF THE PROTECTIVE CAP BY HAND GRIP USING THESE SURFACES.
- FOR REMOVAL OF THE PROTECTIVE CAP WITH PLIERS GRIP USING THIS FEATURE.
- SHORT DETECTION PIN IS 0.5mm LESS WIPE NOMINLA THAN THE SHORTEST PIN .



10122770-1\*1LF WITHOUT PROTECTIVE COVER



spec ref	-	dr	Sandar Soe	2012/09/13	projection	MM	size	A2	scale	5:1	
tolerance std	ASME Y14.5	eng	Terry Luo	2020/09/08	chr	-	ecn no	ELX-DG-38252-1	rel level	Released	
surface	-	appr	Heaven Cen	2020/09/17	product family	AIRMAX VS	cat. no.	10122770	rev	D	
ASME Y14.5	linear	0.X	±0.3	0.XX	±0.10	0.XXX	±0.050	angular	0°	±2°	
TOLERANCES UNLESS OTHERWISE SPECIFIED		Amphenol FCI		title		AIRMAX VS2 VERTICAL HEADER		4 PAIR 120 POS 2MM 10 COL,GXT+		Product - Customer Drw	sheet 4 of 4