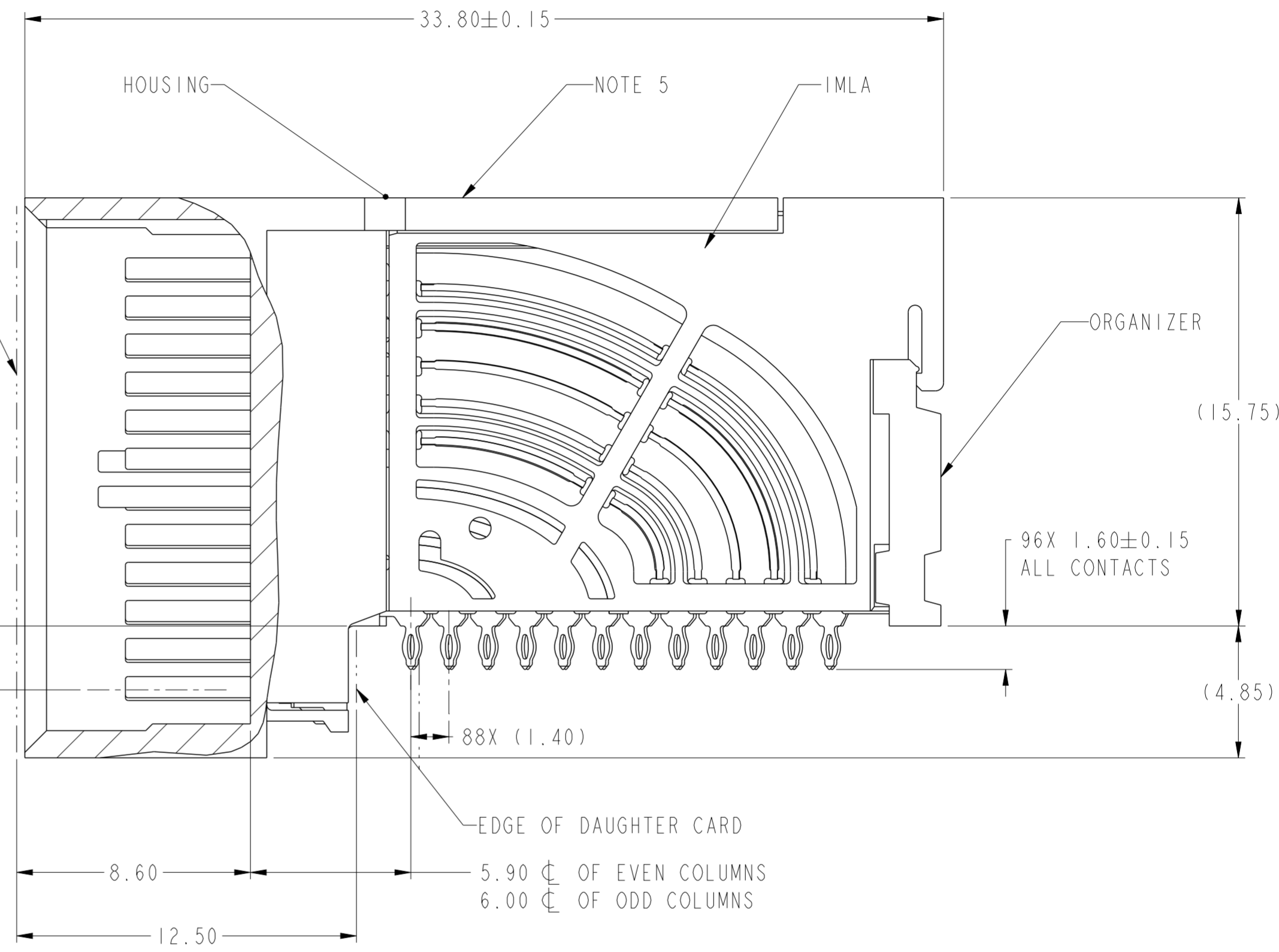
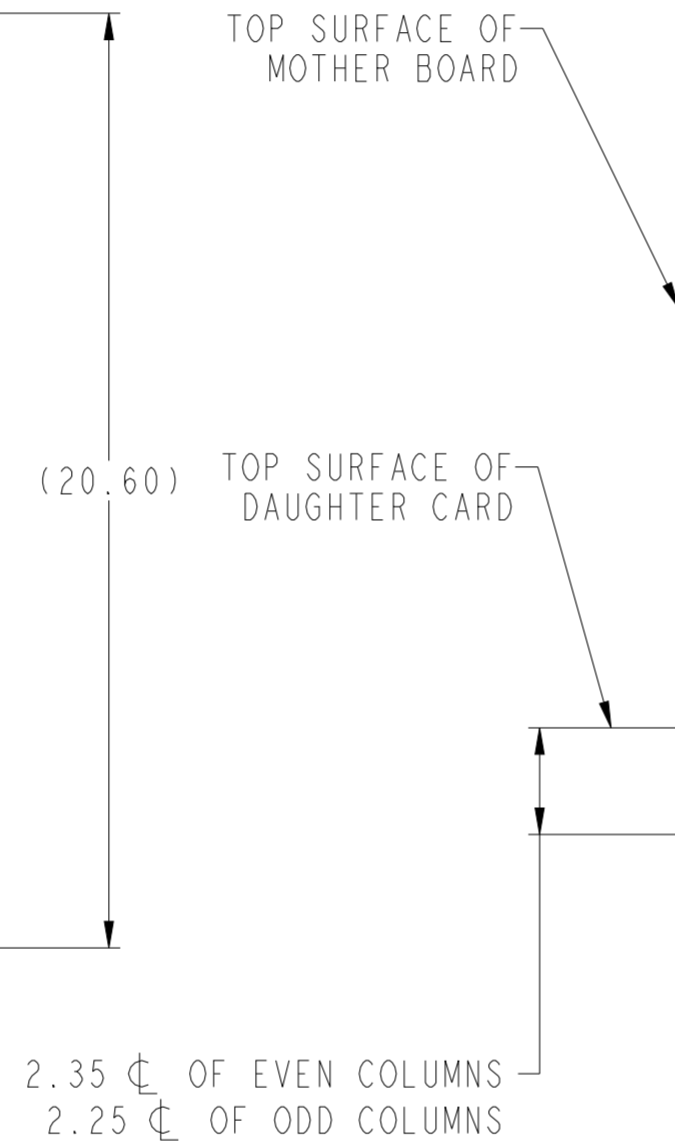
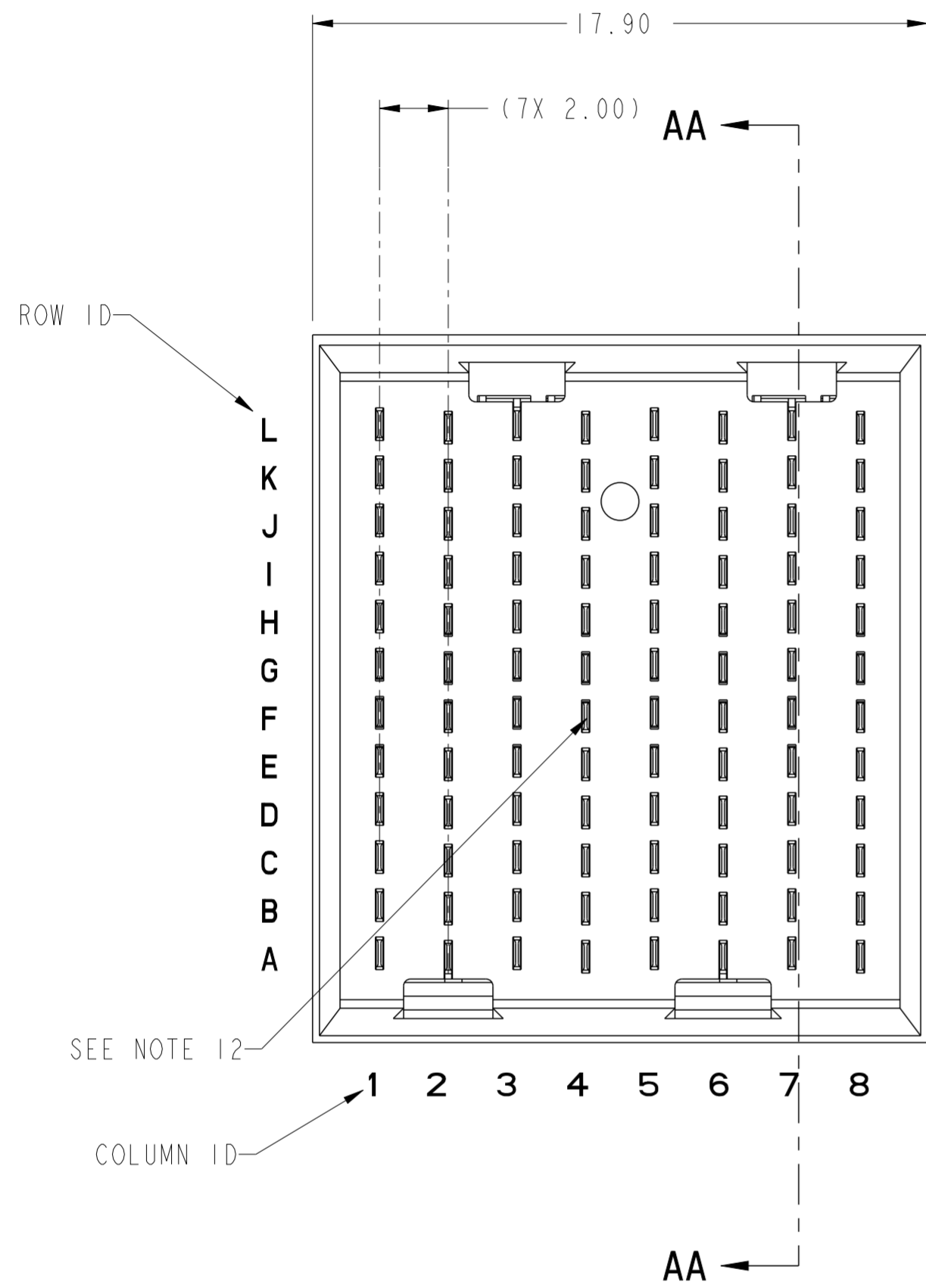


PRODUCT NUMBER
SEE SHEET 3



SECTION AA-AA

Amphenol
FCi

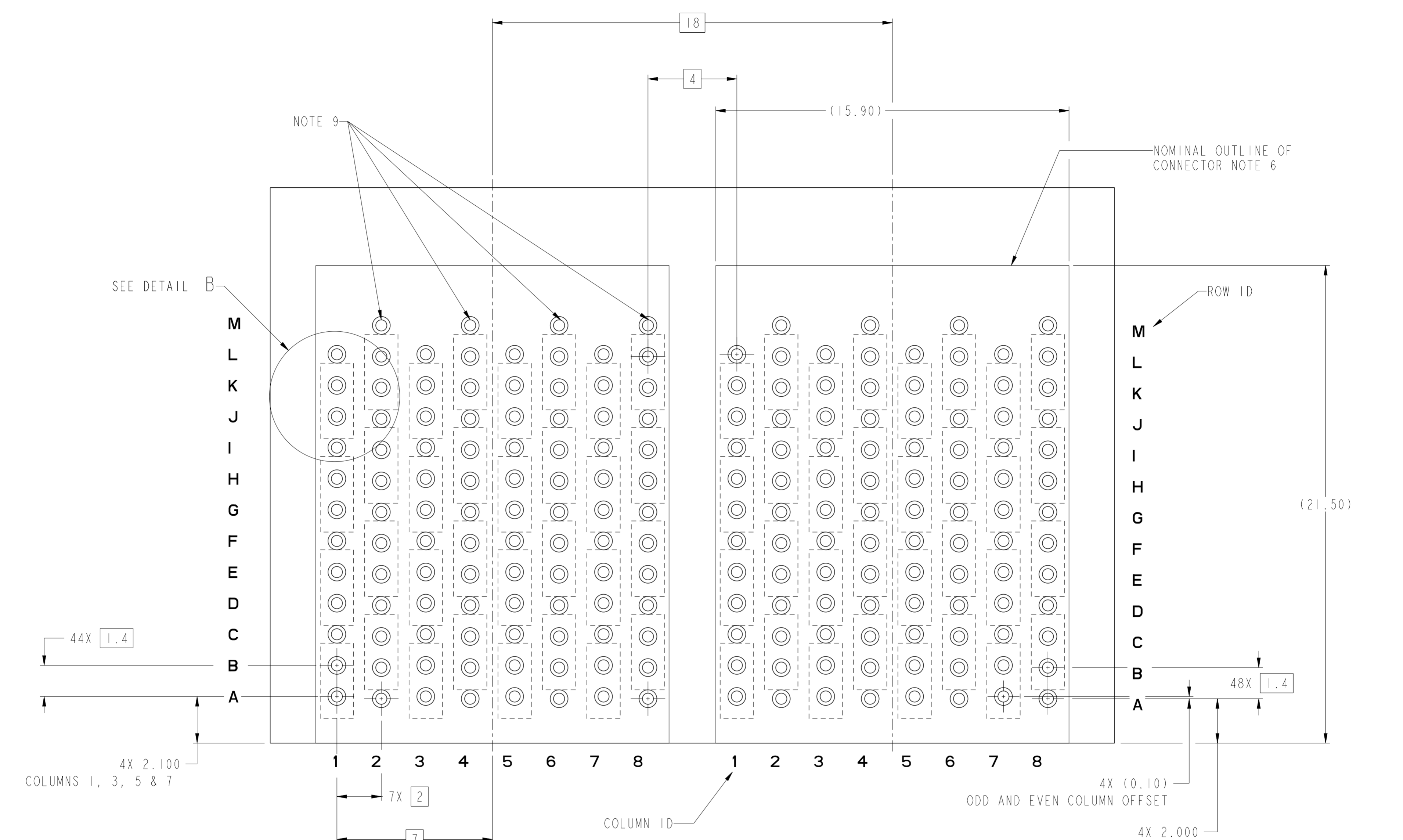
© 2016 AFci

spec ref	---	dr	Kou Xu	2013/06/05	projection	MM	size	A2	scale	10:1
tolerance std	ASME Y14.5M	eng	Terry Luo	2020/10/21			ecn no	ELX-DG-38696-1		
TOLERANCES UNLESS OTHERWISE SPECIFIED		chr	-	appr			Heaven Cen	2022/08/23	rel level	Released
surface	-	linear	0.X	±.3			product family	-		
			0.XX	±.15	Amphenol FCI		title	AirMax VS2 RA HEADER		
			0.XXX	±.050			4 Pair, 96 pos, 2 mm, 8 COL, GXT+	dwg no	10125530	
		angular	0°	±2°			cat. no.	-		Product - Customer Drw
							rev	D		sheet 1 of 3

PDS: Rev :D

STATUS:Released

Printed: Nov 29, 2022



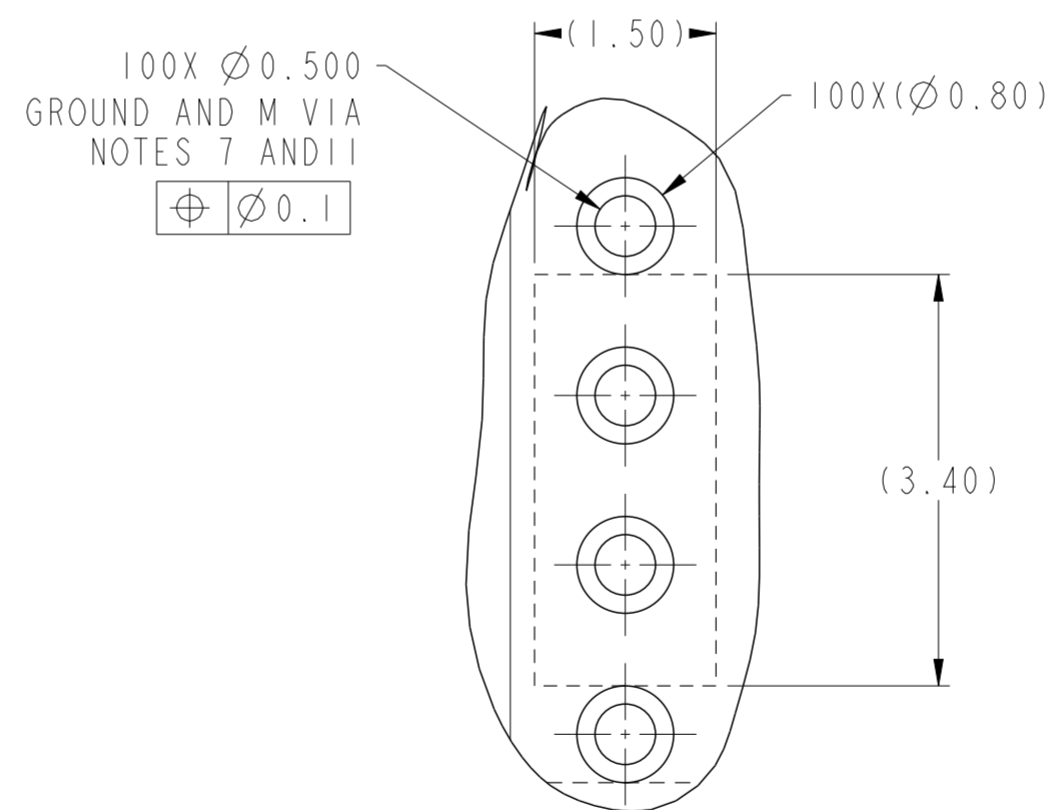
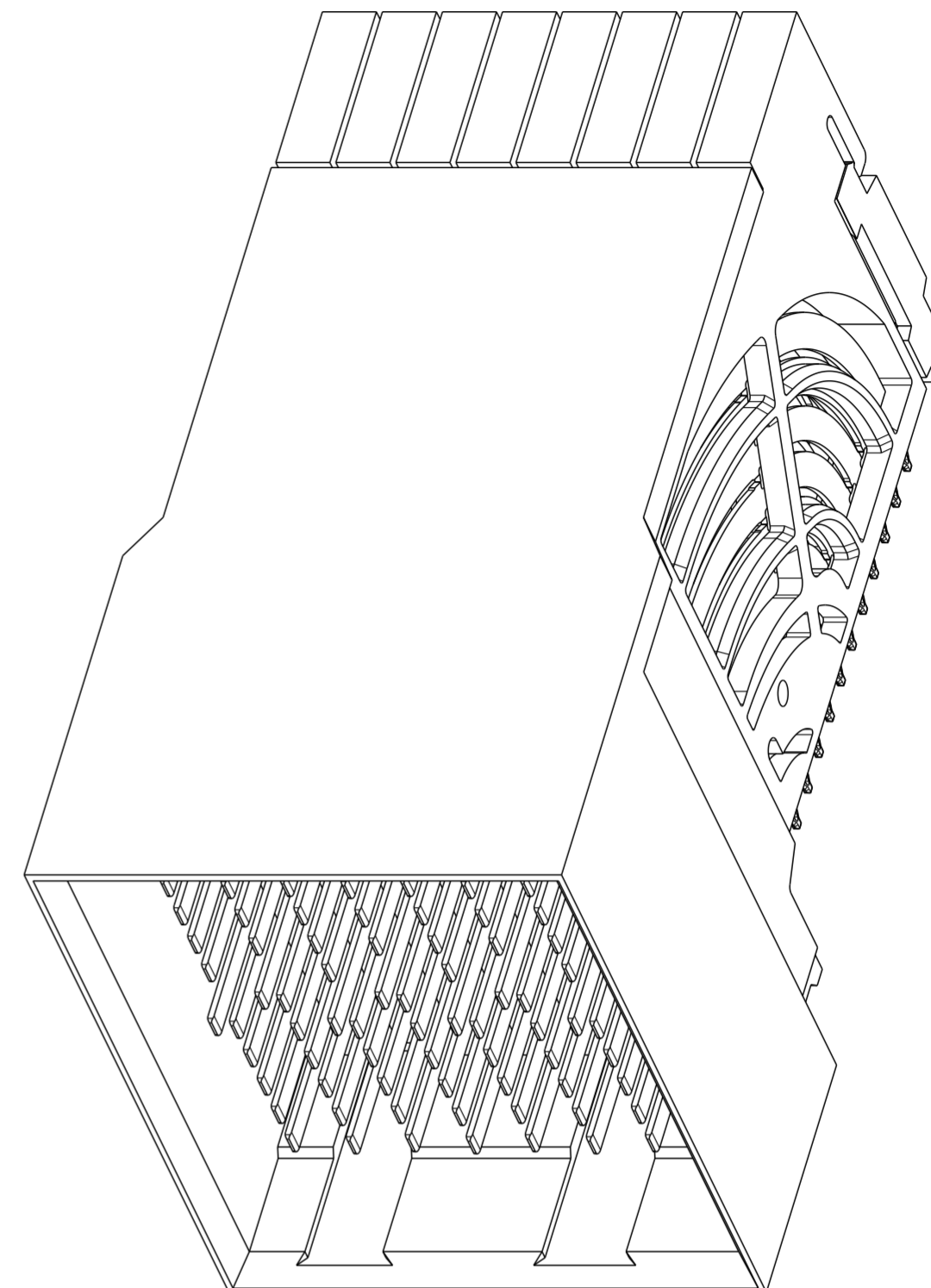
RECOMMENDED PCB LAYOUT
FOR DIFFERENTIAL APPLICATIONS
COMPONENT SIDE
(TWO ADJACENT FOOTPRINTS SHOWN)
NOTES 7 & 11

SCALE 8:1

spec ref	---	dr	Kou Xu	2013/06/05	projection	MM	size	A2	scale	8:1	
tolerance std	ASME Y14.5M	eng	Terry Luo	2020/10/21			ecn no	ELX-DG-38696-1			
TOLERANCES UNLESS OTHERWISE SPECIFIED		chr	-	appr			Heaven Cen	2022/08/23	product family	-	rel level
surface	-	linear	0.X	±.3			Amphenol FCI title AirMax VS2 RA HEADER 4 Pair, 96 pos, 2 mm, 8 COL, GXT+		cat. no. -	Product - Customer Drw	sheet 2 of 3
	✓	angular	0°	±2°							

PRODUCT NUMBER	PRESS-FIT TAIL PLATING TYPE	SHORT DETECT CONTACT	REMARKS
10125530-101	TIN/LEAD ALLOY OVER NICKEL	NO	1-SIDE PLATING CUSTOMER SPECIAL
10125530-101LF	TIN OVER NICKEL (LEAD FREE)		
10125530-102	TIN/LEAD ALLOY OVER NICKEL	NO	2-SIDES PLATING
10125530-102LF	TIN OVER NICKEL (LEAD FREE)		
10125530-112LF	TIN OVER NICKEL (LEAD FREE)	YES (SEE NOTE 12)	

- 1 - CONNECTOR MATERIALS:
HOUSING: HIGH TEMP THERMOPLASTIC, NATURAL, UL94-V0
IMLA PLASTIC: HIGH TEMP THERMOPLASTIC, BLACK, UL94-V0
CONTACT: COPPER ALLOY
ORGANIZER: HIGH TEMP THERMOPLASTIC, NATURAL, UL94-V0
- 2 - CONTACT PLATING:
SEPARABLE INTERFACE:
PERFORMANCE-BASED PLATING, QUALIFIED TO MEET THE REQUIREMENTS OF FCI PRODUCT SPECIFICATION GS-12-0956 INCLUDING TELCORDIA GR-1217-CORE (NOVEMBER 1995) CENTRAL OFFICE TEST SEQUENCE
- PRESS-FIT TAILS: SEE TABLE
- 3 - PRODUCT SPECIFICATION: GS-12-0956
- 4 - APPLICATION SPECIFICATION: GS-20-0305
- 5 - PRODUCT MARKING, (PROTOTYPE, PART NUMBER & LOT CODE), ON THIS SURFACE.
- 6 - CONNECTOR OUTLINE MAY BE SCREEN PRINTED ONTO CUSTOMER PCB TO BE USED AS A GUIDE FOR CONNECTOR PLACEMENT.
- 7 - REFER TO CUSTOMER DRAWING 10104444 FOR INFORMATION ON PCB HOLE DIAMETERS AND PLATING OPTIONS
- 8 - LEAD FREE PRODUCT MEETS THE EUROPEAN UNION DIRECTIVES & OTHER COUNTRY REGULATIONS AS DESCRIBED IN GS-22-008
- 9 - THESE OUTER VIAS (M) ARE OPTIONAL. WHILE NO CONNECTOR EONS ARE PRESSED INTO THESE HOLES WE RECOMMEND (Ø0.500) FINISHED HOLES AT THESE LOCATIONS TO PROVIDE GROUND SYMMETRY THROUGH THE PCB.
- 10 - PACKAGING MEETS GS-14-920 LEAD FREE LABELING SPECIFICATION.
- 11 - GROUND CONTACTS (C, F, I & L IN ODD COLUMNS AND A, D, G & J IN EVEN COLUMNS) REQUIRE (Ø0.50) FINISHED HOLES. SIGNAL LOCATIONS REQUIRE (Ø0.50) FINISHED HOLES
- 12 - MATING PIN F4 HAS 0.5mm LESS NOMINAL WIPE THAN THE SHORTEST PIN.



DETAIL B
SCALE 16:1

10125530-101 OR -101LF

spec ref	---	dr	Kou Xu	2013/06/05	projection	MM	size	A2	scale	10:1
tolerance std	ASME Y14.5M	eng	Terry Luo	2020/10/21	chr	-	ecn no	ELX-DG-38696-1		
TOLERANCES UNLESS OTHERWISE SPECIFIED		appr	Heaven Cen	2022/08/23	product family	-	rel level	Released		
surface	linear	0.X	±.3	Amphenol FCi	title		AirMax VS2 RA HEADER	dwg no	10125530	rev
		0.XX	±.15		4 Pair, 96 pos, 2 mm, 8 COL, GXT+				D	
	angular	0°	±2°		cat. no.	-	Product - Customer Drw		sheet 3 of 3	