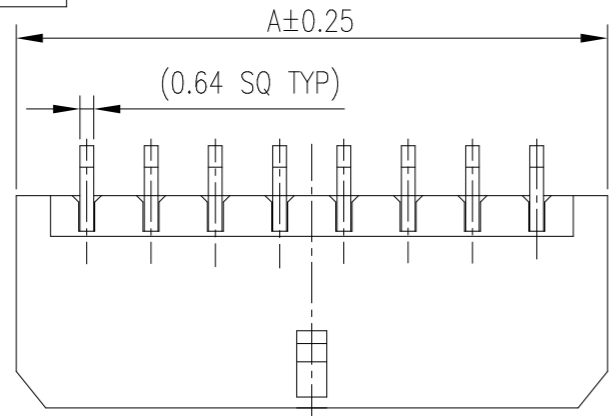


PRODUCT NUMBER

SEE P/N SCHEME



NOTE:

1. MATERIAL:
HOUSING: LCP, UL94V-0, HALOGEN FREE, COLOR: BLACK
CONTACT: COPPER ALLOY.
2. CONTACT FINISH: NICKEL 50u" Min. UNDERPLATED OVERALL.
OPTIONAL PLATING ON CONTACT AREA, TIN ON SOLDER TAIL.
3. REFER GS-20-0399 APPLICATION SPECIFICATION FOR MATING CONNECTOR.
4. PRODUCT SPECIFICATION: GS-12-1177.
5. PACKAGE SPECIFICATION: GS-14-2359.
6. APPLICATION SPECIFICATION: GS-20-0399
7. THE HOUSING WILL WITHSTAND EXPOSURE TO
260°C PEAK TEMPERATURE FOR 10 SECONDS IN A REFLOW OVEN.
8. THE HOUSING WILL WITHSTAND EXPOSURE TO
260°C PEAK TEMPERATURE FOR 5 SECONDS IN A WAVE SOLDER
9. LEAD FREE PRODUCTS MEET EUROPEAN UNION DIRECTIVES
AND OTHER COUNTRY REGULATIONS AS DESCRIBED IN GS-47-0004
10. PART NUMBER SCHEME:

10127720- XX X X X X LF

POS. CODE:

02: 2 POS

04: 4 POS

5

24: 24 POS

LEAD FREE

OPTIONAL PACKAGES:

BLANK: TRAY

R: TAPE AND REEL

OPTIONAL PEGS:

BLANK: WITH PEGS

N: NO PEG, ONLY FOR 4,8,10 POS

PLATING CODE:

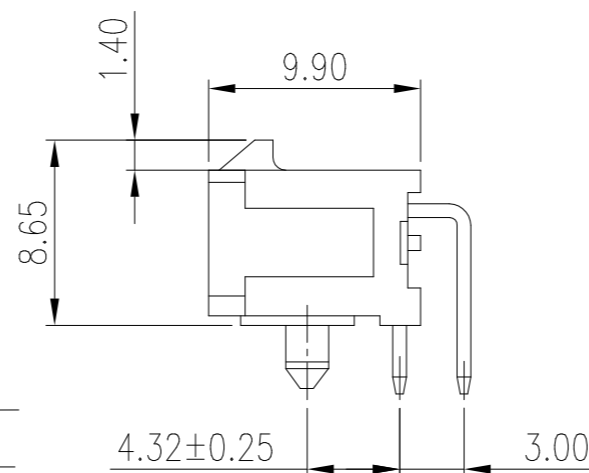
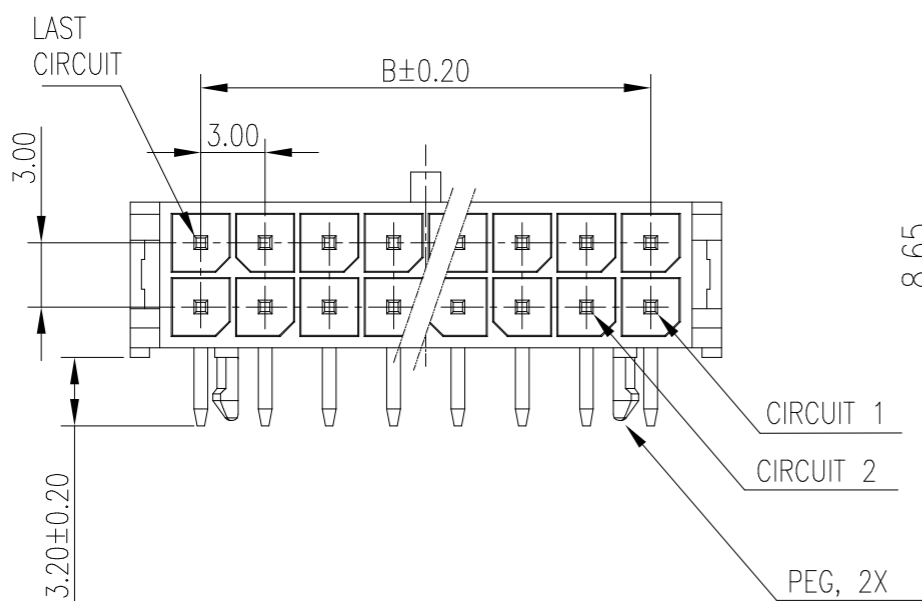
1: 100u" Min. MATTE TIN OVERALL

2: GOLD FLASH OVERALL

3: 15u"Min Au ON CONTACT AREA,
100u"Min MATTE TIN ON TAIL

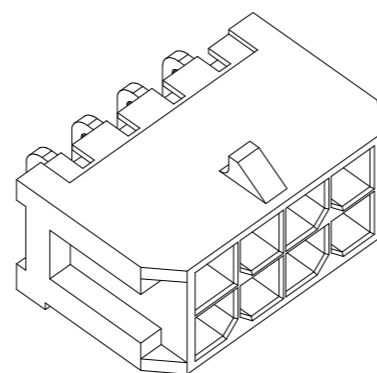
4: 30u" Au ON CONTACT AREA,
100u"Min MATTE TIN ON TAIL

5: 160u" Min MATTE TIN OVERALL



P/N & DIMENSION TABLE

PART NO.	POS	A	B	C	D
10127720-02XXXXLF	2	6.60	--	--	--
10127720-04XXXXLF	4	9.60	3.00	--	--
10127720-06XXXXLF	6	12.60	6.00	--	--
10127720-08XXXXLF	8	15.60	9.00	7.70	4.70
10127720-10XXXXLF	10	18.60	12.00	10.70	7.70
10127720-12XXXXLF	12	21.60	15.00	13.70	10.70
10127720-14XXXXLF	14	24.60	18.00	16.70	13.70
10127720-16XXXXLF	16	27.60	21.00	19.70	16.70
10127720-18XXXXLF	18	30.60	24.00	22.70	19.70
10127720-20XXXXLF	20	33.60	27.00	25.70	22.70
10127720-22XXXXLF	22	36.60	30.00	28.70	25.70
10127720-24XXXXLF	24	39.60	33.00	31.70	28.70



mat'l. code		surface ISO 1302 ✓		tolerance ISO 406 ISO 1101		projection mm		product family MINITEK PWR3.0	
ltr		ecn no		dr		date		title	
J		ELX-N-30249		TONY		2018-05-23		DUAL ROW, R/A DIP TYPE	
K		ELX-I-43460		ASLAM		2022-01-21		MINITEK 3.0 STANDARD HEADER	
								dwg no	
								sheet 1 of 2	
								size	
								10127720	
								A3	
								type	
								Product Customer Drawing	
sheet		revision		K		K			
index		sheet		1		2			



Amphenol
FCi

© 2016 AFci

©

©

©

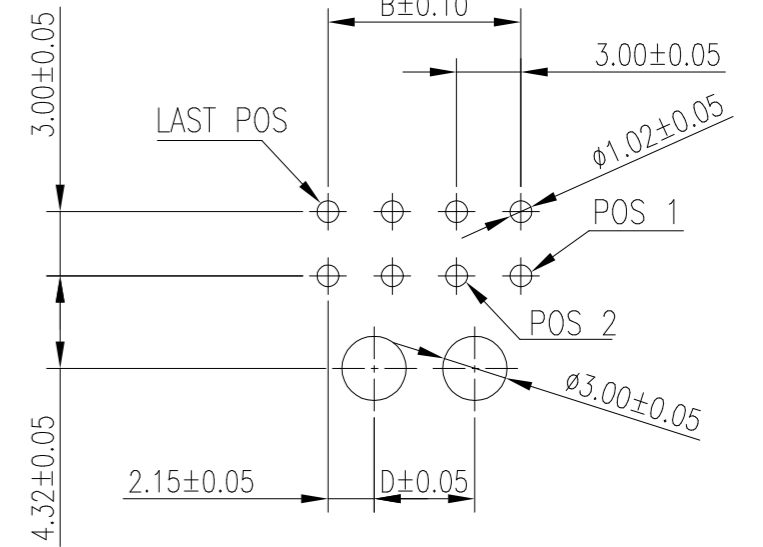
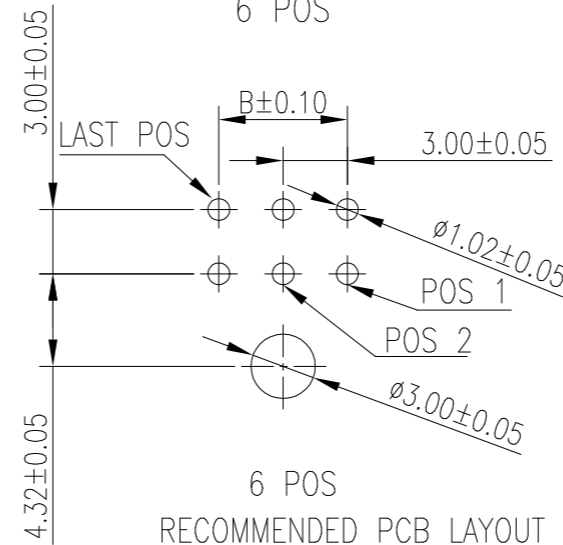
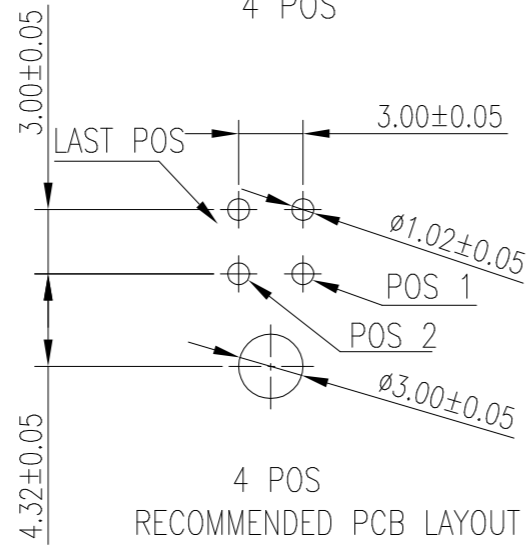
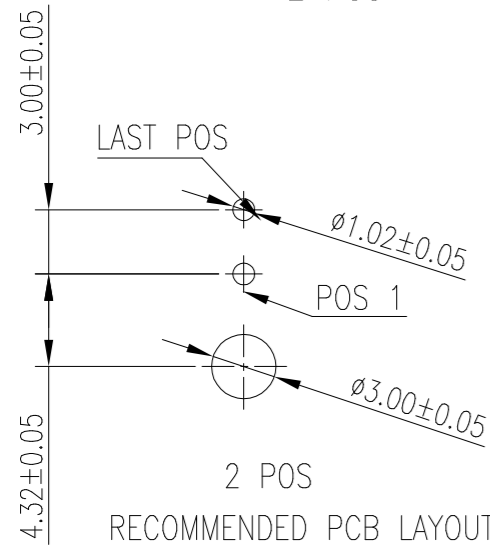
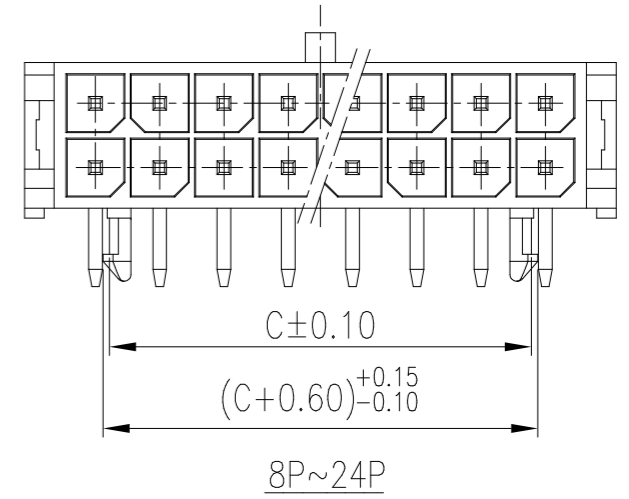
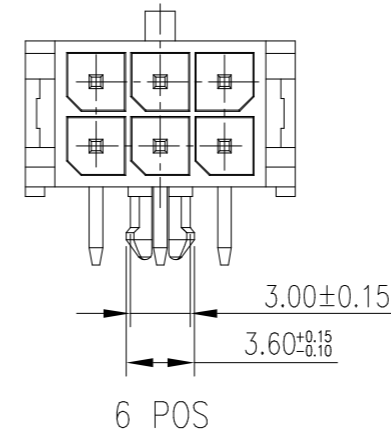
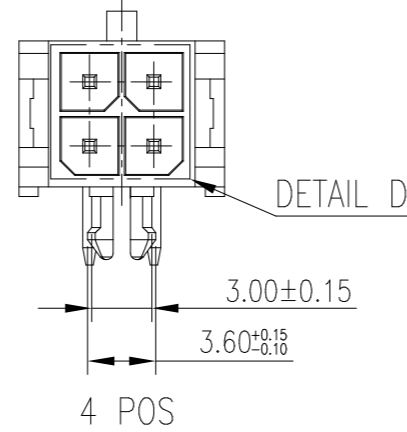
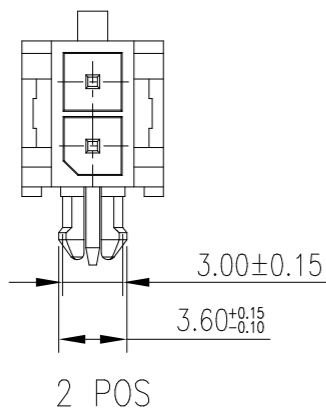
1

2 3

4

5

6

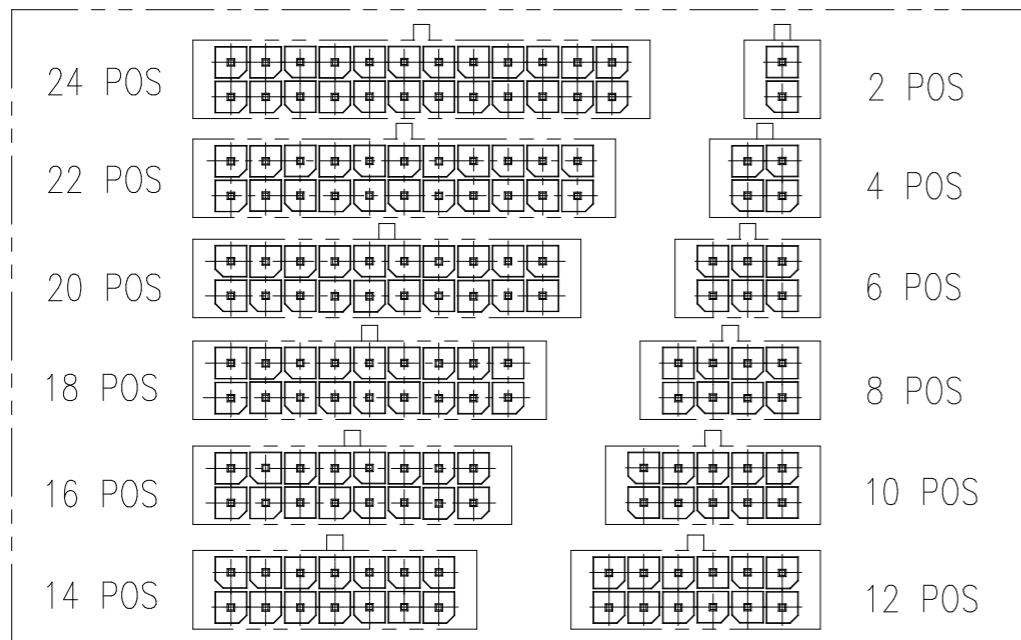


RECOMMENDED PCB LAYOUT
PCB THICKNESS=1.6mm.
General Tolerance±0.05

RECOMMENDED PCB LAYOUT
PCB THICKNESS=1.6mm.
General Tolerance±0.05

RECOMMENDED PCB LAYOUT
PCB THICKNESS=1.6mm.
General Tolerance±0.05

RECOMMENDED PCB LAYOUT
PCB THICKNESS=1.6mm.
General Tolerance±0.05



DETAIL D

mat'l. code		surface		tolerance		projection		product family	
		ISO 1302 ✓		ISO 406 ISO 1101		mm		MINITEK PWR3.0	
ltr		ecn no		dr		date		title	
								DUAL ROW, R/A DIP TYPE	
								MINITEK 3.0 STANDARD HEADER	
								dwg no	
								sheet 2 of 2	
								size	
								A3	
								type	
								Product Customer Drawing	
sheet index		revision sheet		K		K			
				1		2			