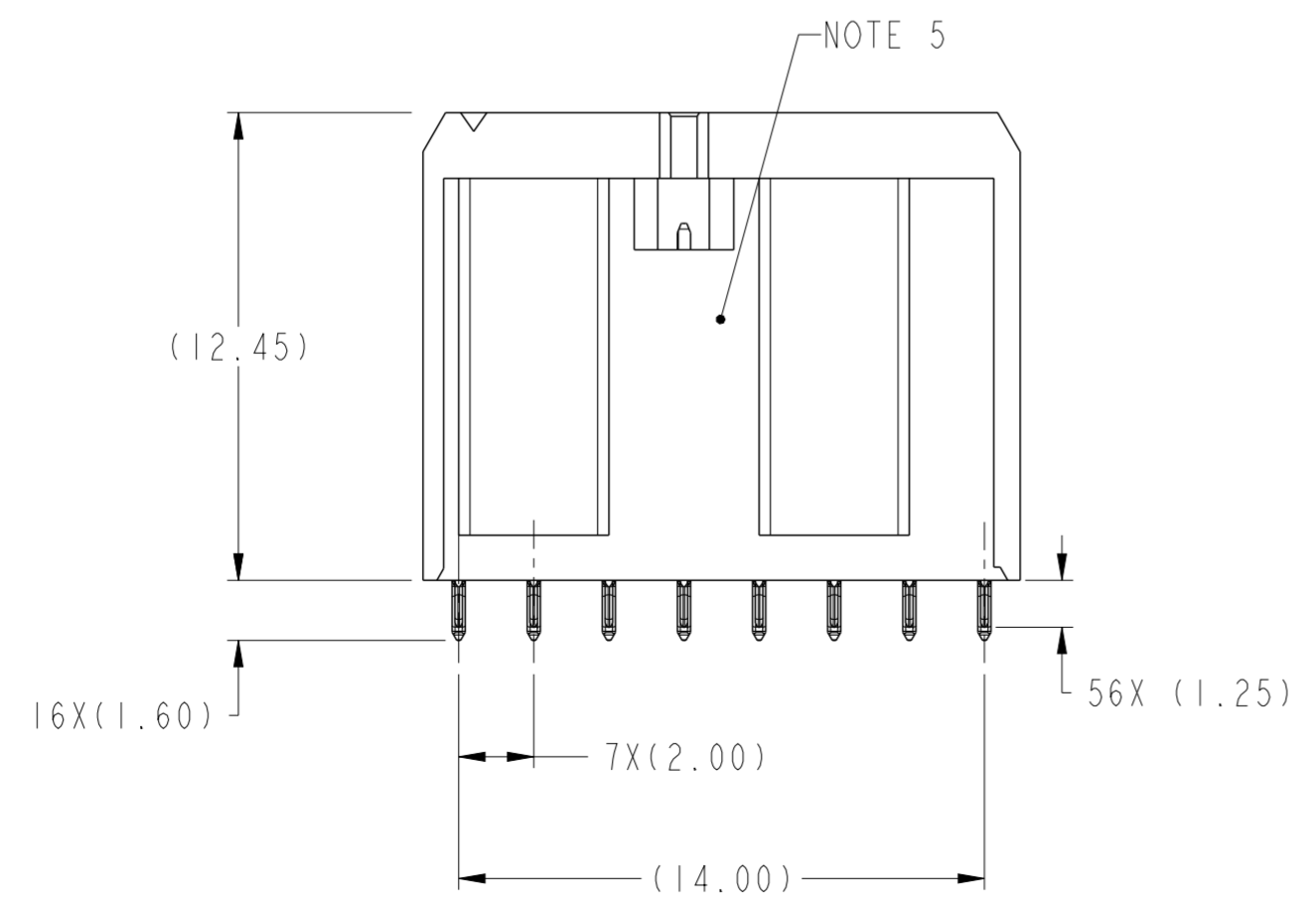
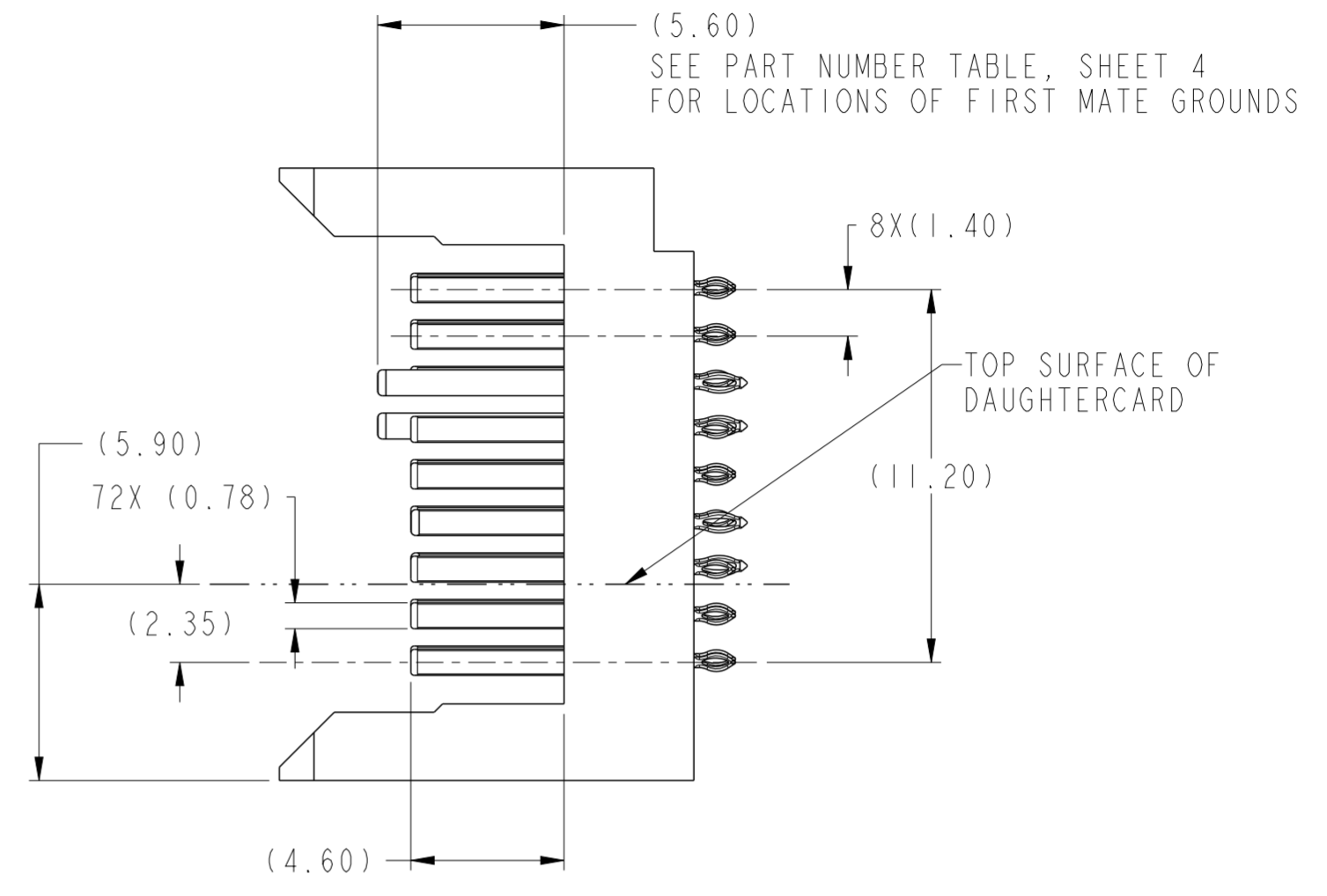
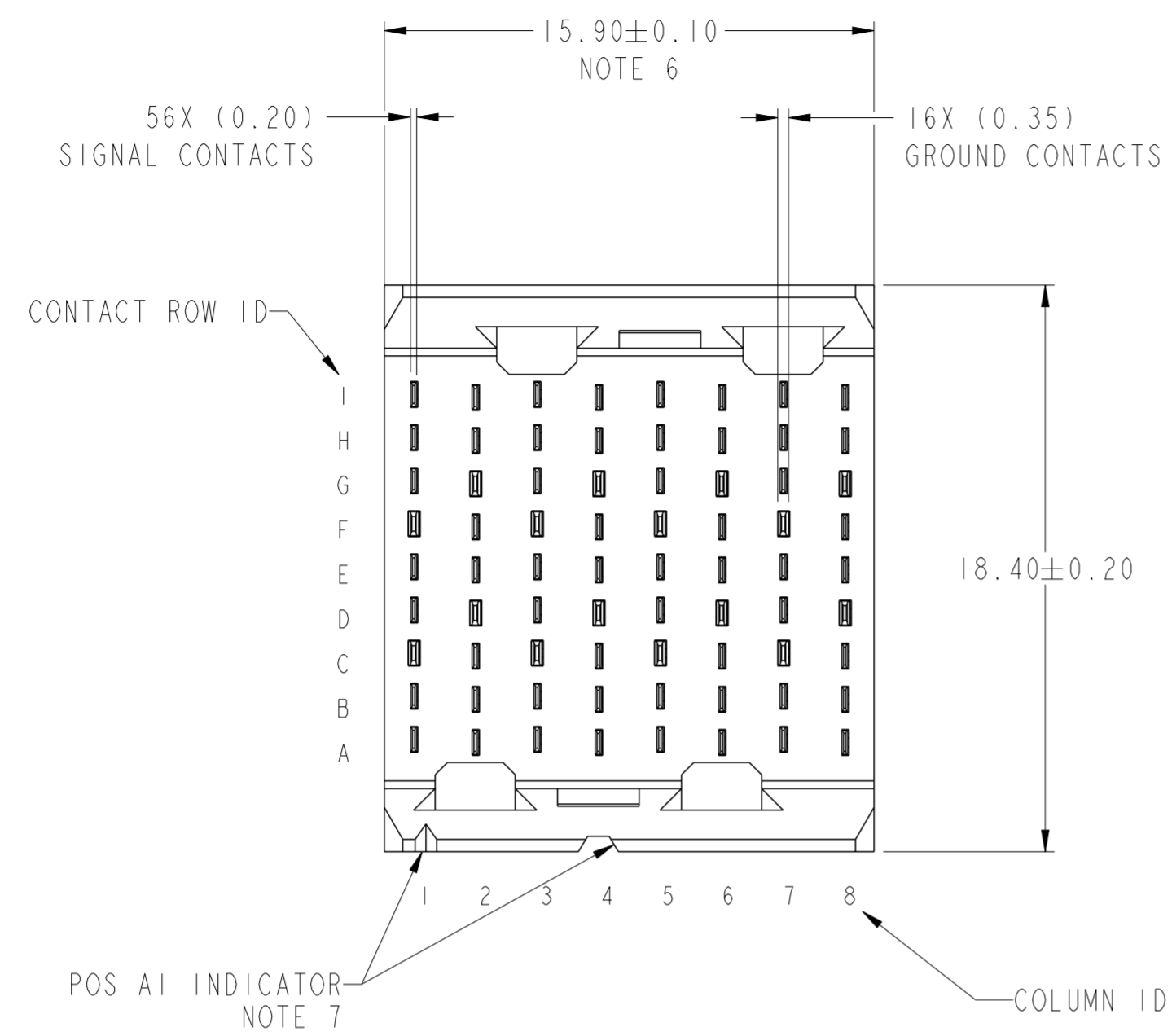


Product number
SEE TABLE, SHT 4



spec ref	-	dr	Tao Zhan	2013/11/12	projection	MM	size	A2	scale	5:1
tolerance std	ASME Y14.5	eng	Terry Luo	2020/09/08	chr	-	ecn no	ELX-DG-38252-1	rel level	Released
surface	linear	0.X	±0.3	Amphenol FCi	product family	AIRMAX VS	div no	10127979	rev	C
		0.XX	±0.10		cat. no.	-	Product - Customer Drw	sheet 1 of 4		
	angular	0°	±2°							

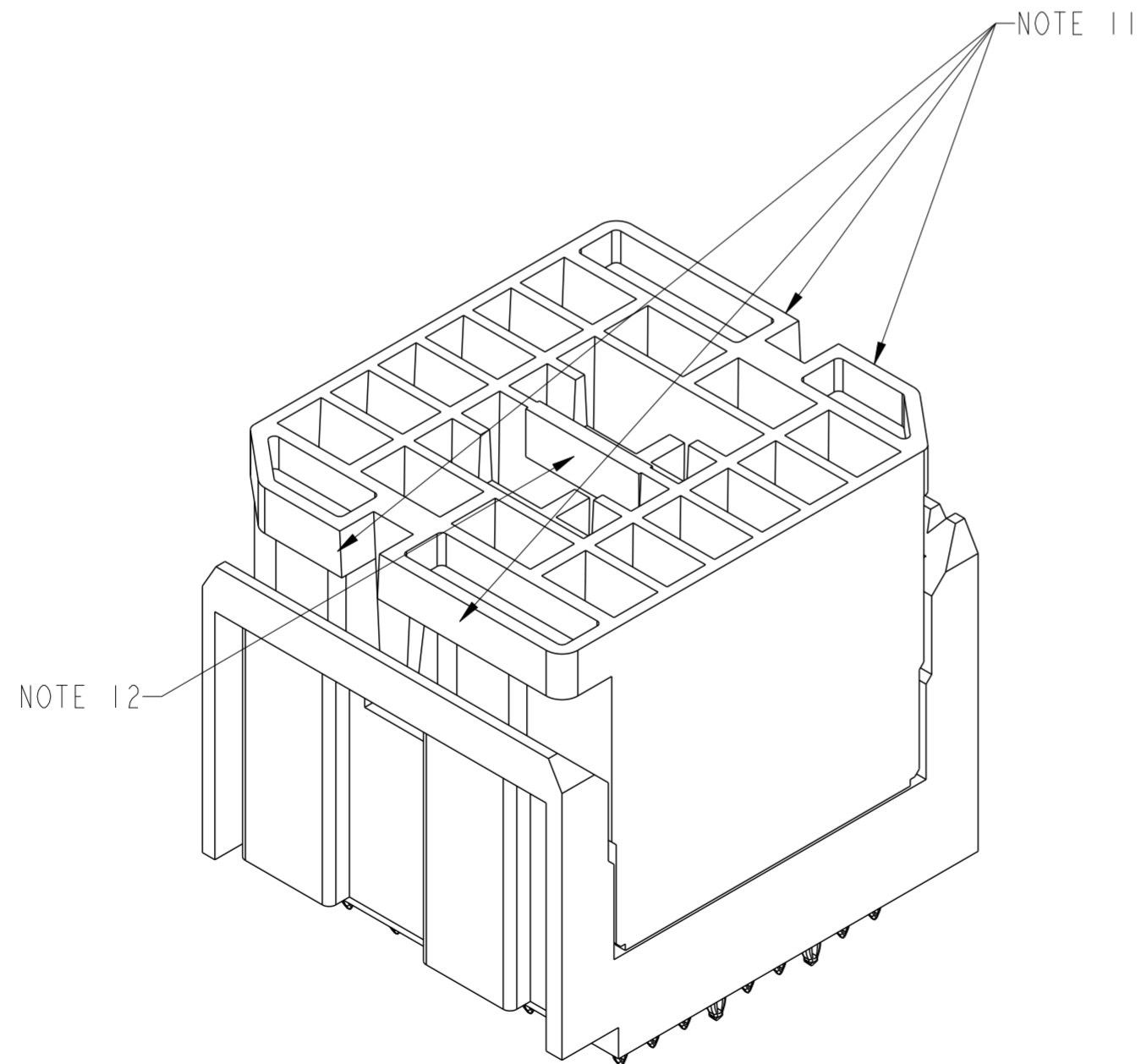
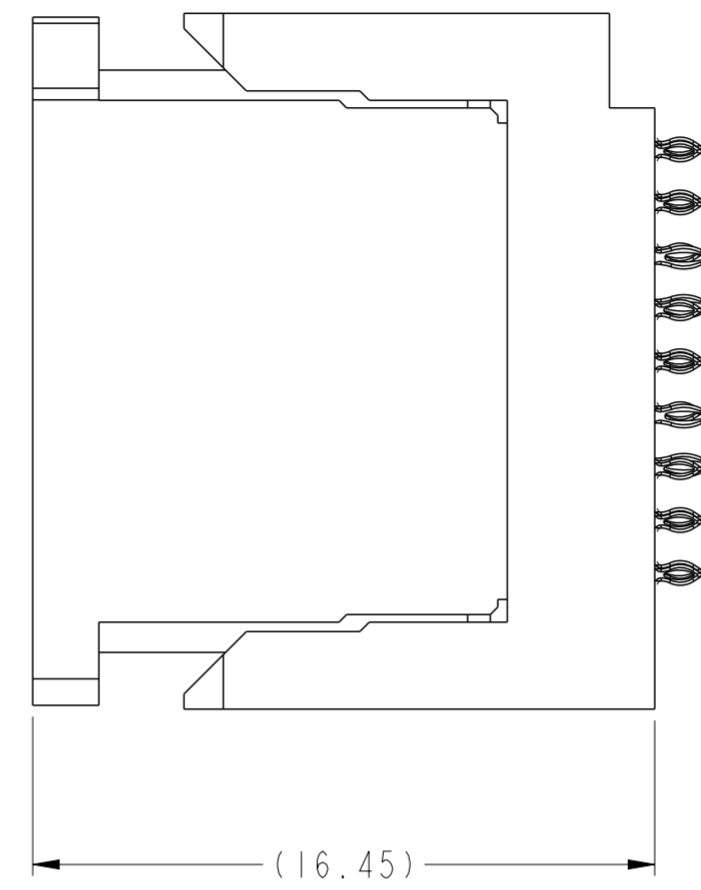
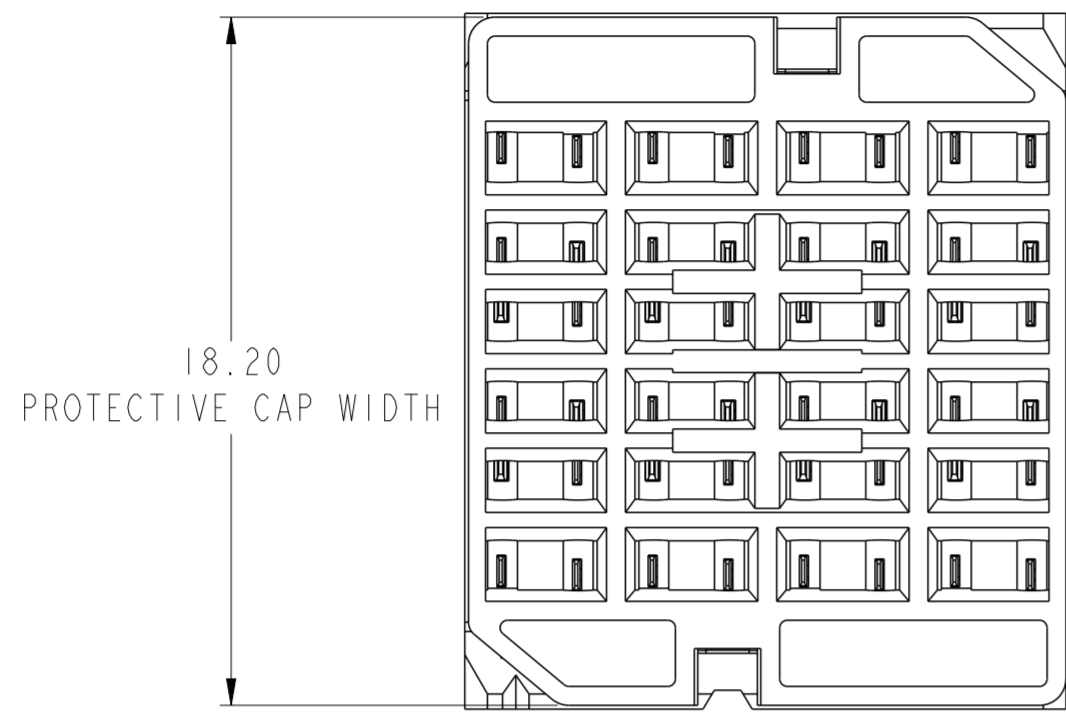
PDS: Rev :C

STATUS:Released

Printed: Sep 18, 2020

Amphenol
FCi

© 2016 AFci

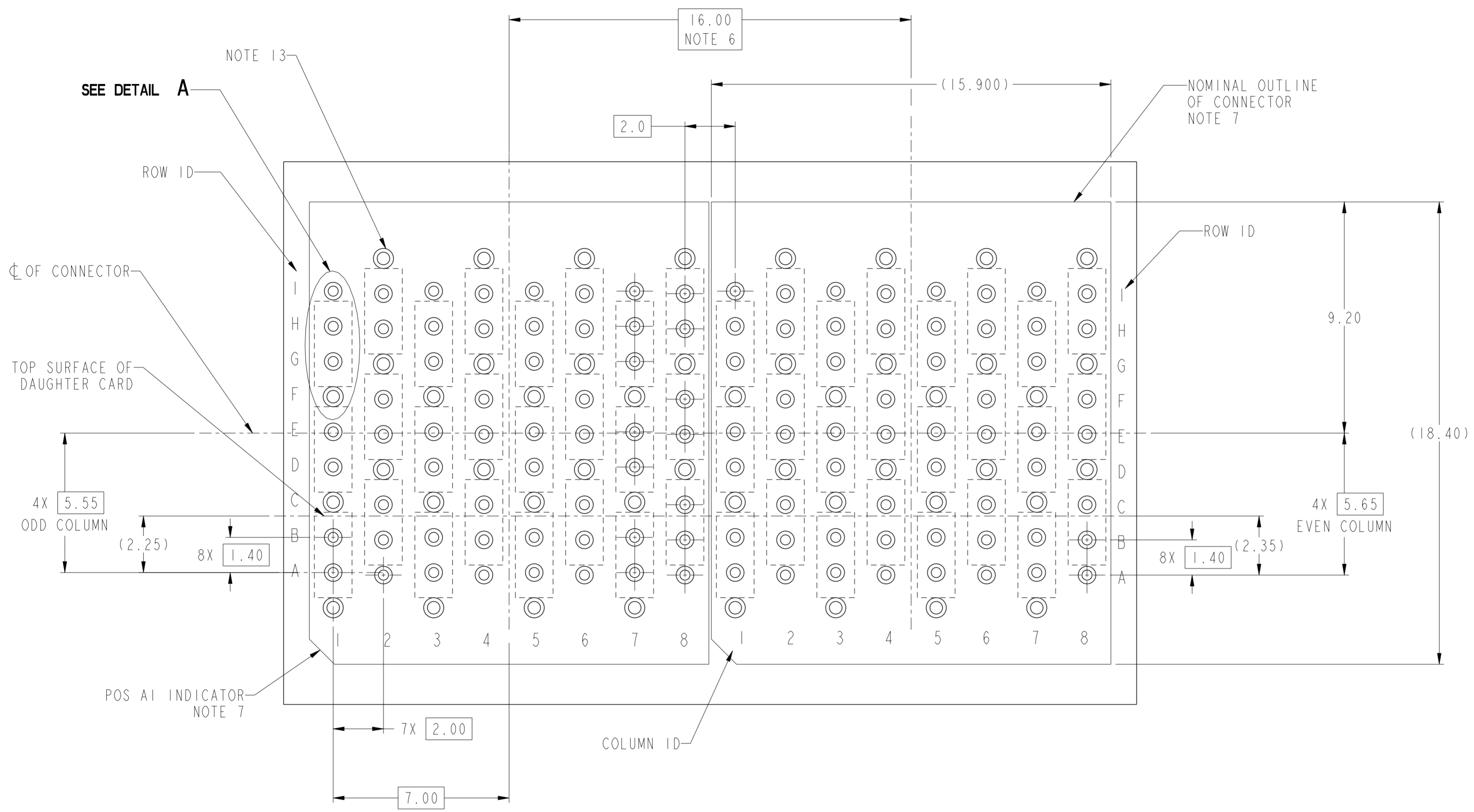


VIEWS SHOWN WITH PROTECTIVE COVER INSTALLED
10127979-101LF

Amphenol
FCi

© 2016 APCI

spec ref	-	dr	Tao Zhan	2013/1/12	projection	MM	size	A2	scale	3:1
tolerance std	ASME Y14.5	eng	Terry Luo	2020/09/08			ecn no	ELX-DG-38252-1		
TOLERANCES UNLESS OTHERWISE SPECIFIED		chr	-	appr			Heaven Cen	2020/09/17	product family	AIRMAX VS
surface		linear	0.X	±0.3		AIRMAX VS2 VERTICAL HEADER 3 PAIR 72 POS 2MM 8 COL SPF, GXT+	divg no 10127979	rev C		
		ASME Y14.5	angular	0°					±2°	cat. no.



RECOMMENDED PCB LAYOUT
FOR DIFFERENTIAL APPLICATIONS,
COMPONENT SIDE
(TWO ADJACENT FOOTPRINTS SHOWN)
NOTES 6, AND 8

Amphenol
FCi

© 2016 AFci

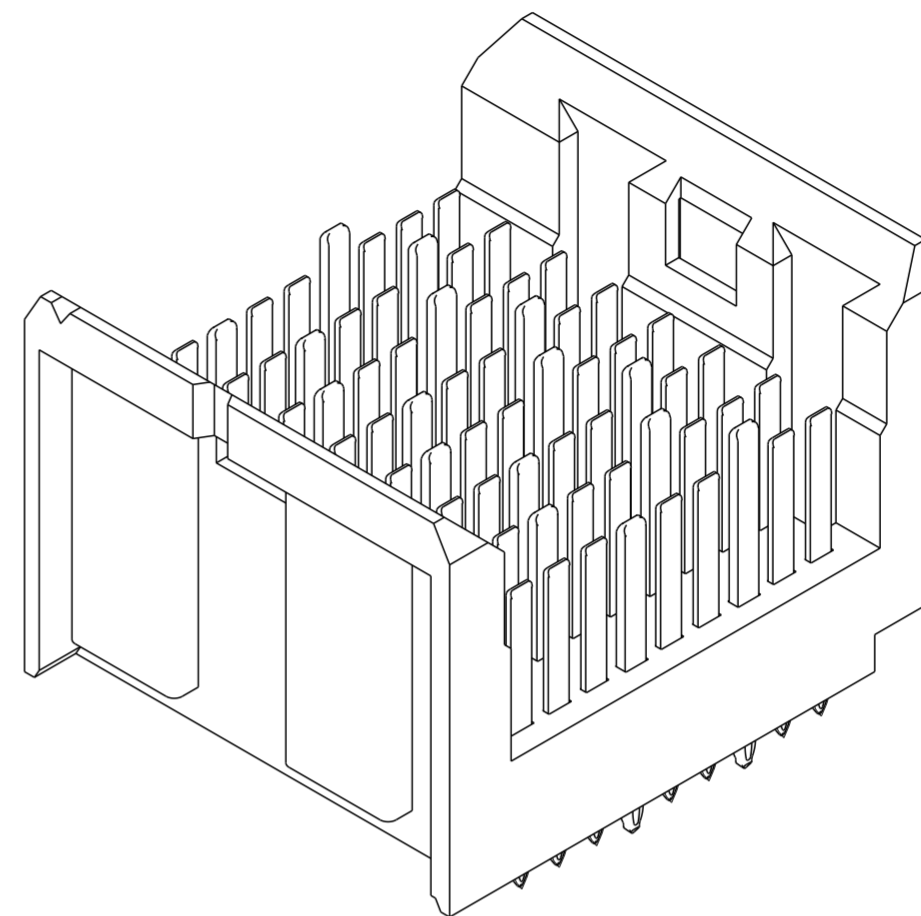
spec ref	-	dr	Tao Zhan	2013/11/12	projection	MM	size	A2	scale	8:1
tolerance std	ASME Y14.5	eng	Terry Luo	2020/09/08			ecn no	ELX-DG-38252-1		
TOLERANCES UNLESS OTHERWISE SPECIFIED		chr	-	rel level			Released			
surface	ASME Y14.5	appr	Heaven Cen	2020/09/17			product family	-		
linear	0.X ±0.3 0.XX ±0.10 0.XXX ±0.050	Amphenol FCi		title		AIRMUX VS2 VERTICAL HEADER		div no	10127979	
angular	0° ±2°	cat. no.		Product - Customer Drw		sheet 3 of 4		rev	C	

PDS: Rev :C

STATUS:Released

Printed: Sep 18, 2020

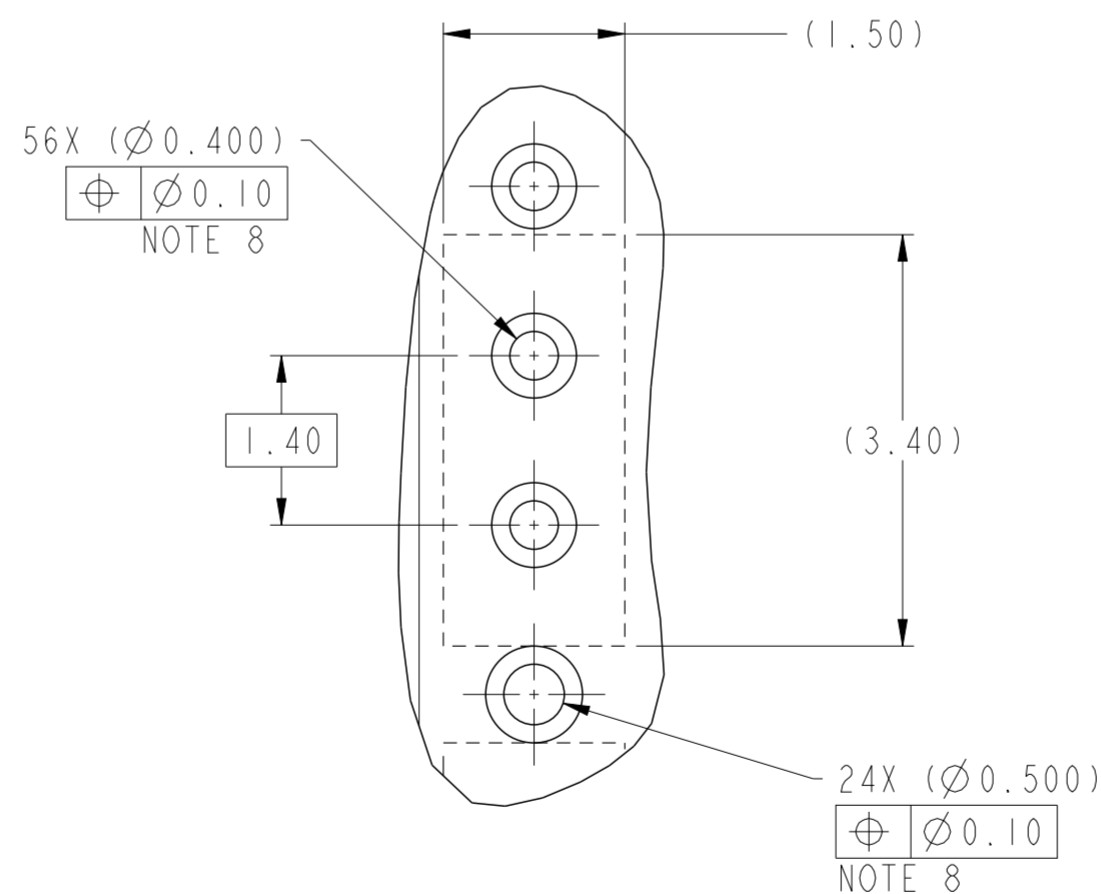
PART NUMBER	PRESS-FIT TAIL PLATING TYPE	PROTECTIVE COVER	FIRST MATE PIN LOCATIONS (5.6mm)
10127979-101LF	TIN OVER NICKEL (LEAD FREE)	YES	F1, F3, F5, F7 G2, G4, G6, G8



10127979-101LF WITHOUT PROTECT COVER

NOTES:

1. CONNECTOR MATERIALS:
HOUSING: HIGH TEMP THERMOPLASTIC, BLACK, UL94V-0
CONTACT: COPPER ALLOY
2. CONTACT PLATING:
SEPARABLE INTERFACE: PERFORMANCE-BASED PLATING, QUALIFIED TO MEET THE REQUIREMENTS OF FCI PRODUCT SPECIFICATION GS-12-239 INCLUDING TELCORDIA GR-1217-CORE (NOVEMBER 1995) CENTRAL OFFICE TEST SEQUENCE
PRESS-FIT TAILS: SEE TABLE
3. PRODUCT SPECIFICATION: GS-12-239.
4. APPLICATION SPECIFICATION: GS-20-035.
5. PRODUCT MARKING, (PROTOTYPE, PART NUMBER & LOT CODE), ON THIS SURFACE.
6. THE MINIMUM CENTERLINE SPACING BETWEEN ADJACENT MODULES IS 16.0 mm.
7. CONNECTOR OUTLINE WITH HOUSING POS A1 INDICATOR MAY BE SCREEN PRINTED ONTO CUSTOMER PCB TO BE USED AS A GUIDE FOR MANUAL CONNECTOR PLACEMENT.
8. REFER TO CUSTOMER DRAWING 10104444 FOR INFORMATION ON PCB HOLE DIAMETERS AND PLATING OPTIONS.
9. THIS PRODUCT MEETS EUROPEAN UNION DIRECTIVES AND OTHER COUNTRY REGULATIONS AS DESCRIBED IN GS-22-008.
10. PACKAGING MEETS GS-14-920 LEAD FREE LABELING SPECIFICATION.
11. FOR REMOVAL OF THE PROTECTIVE CAP BY HAND GRIP USING THESE SURFACES.
12. FOR REMOVAL OF THE PROTECTIVE CAP WITH PLIERS GRIP USING THIS FEATURE.
13. THE OTHER VIAS IN COLUN J ARE OPTIONAL, IF ADDED THESE HOLES PROVIDE GROUND SYMETRY THROUGH THE PCB. NO CONNECTOR EONS WILL BE PRESSED INTO THESE HOLES.
14. GROUND VIAS IN POSITION C, F & J FOR ODD COLUMNS AND POSITIONS D, G, & J FOR EVEN COLUMNS REQUIRE (Ø0.50) FINISHED HOLES. ALL OTHER VIAS REQUIRE (Ø0.40) FINISHED HOLES.



DETAIL A
SCALE 16:1

spec ref	-	dr	Tao Zhan	2013/11/12	projection	MM	size	A2	scale	8:1
tolerance std	ASME Y14.5	eng	Terry Luo	2020/09/08	chr	-	ecn no	ELX-DG-38252-1	rel level	Released
TOLERANCES UNLESS OTHERWISE SPECIFIED		appr	Heaven Cen	2020/09/17	product family	-	rel level	Released		
surface	linear	0.X	±0.3	Amphenol FCI	title		AIRMUX VS2 VERTICAL HEADER	div no	10127979	rev
		0.XX	±0.10		3 PAIR 72 POS 2MM 8 COL SPF, GXT+		C			
		0.XXX	±0.050		cat. no.	-	Product - Customer Drw		sheet 4 of 4	
ASME Y14.5	angular	0°	±2°	PDS: Rev :C		STATUS:Released		Printed: Sep 18, 2020		