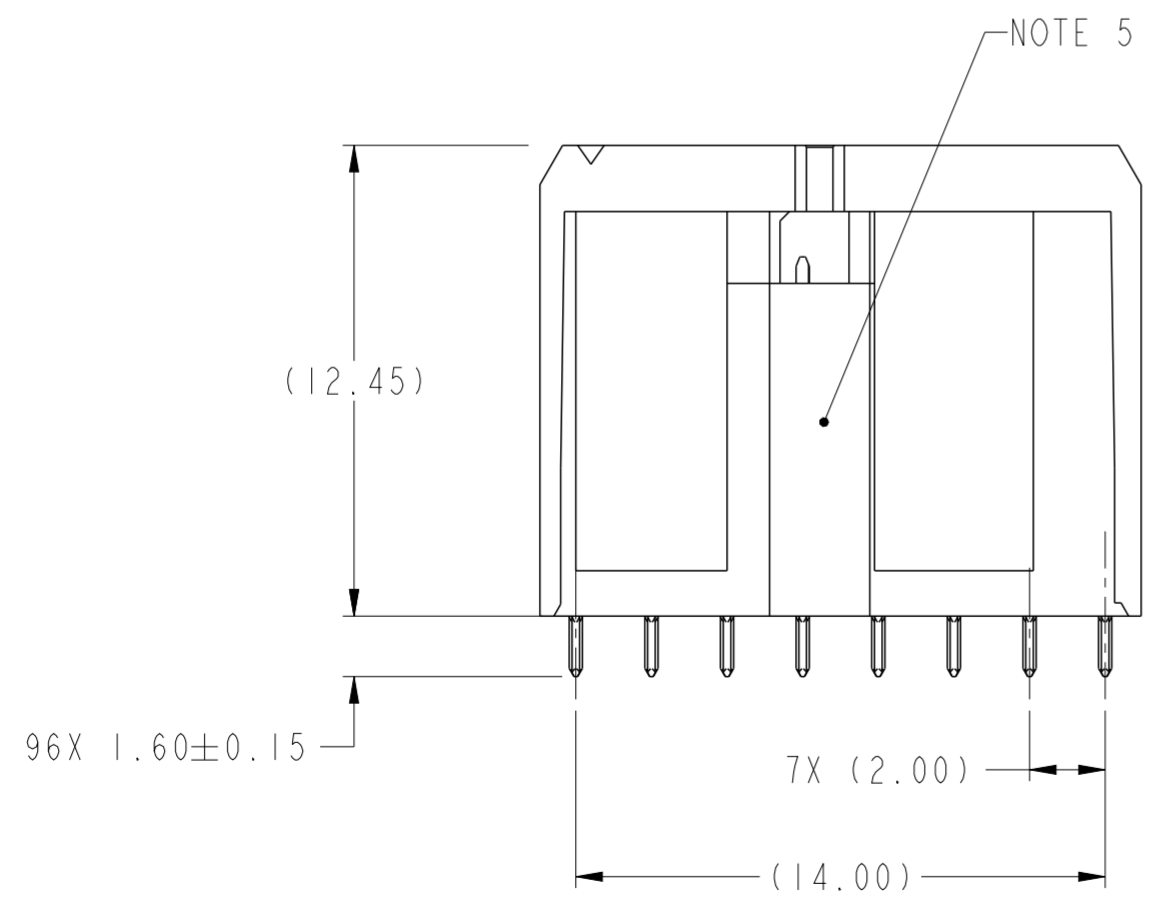
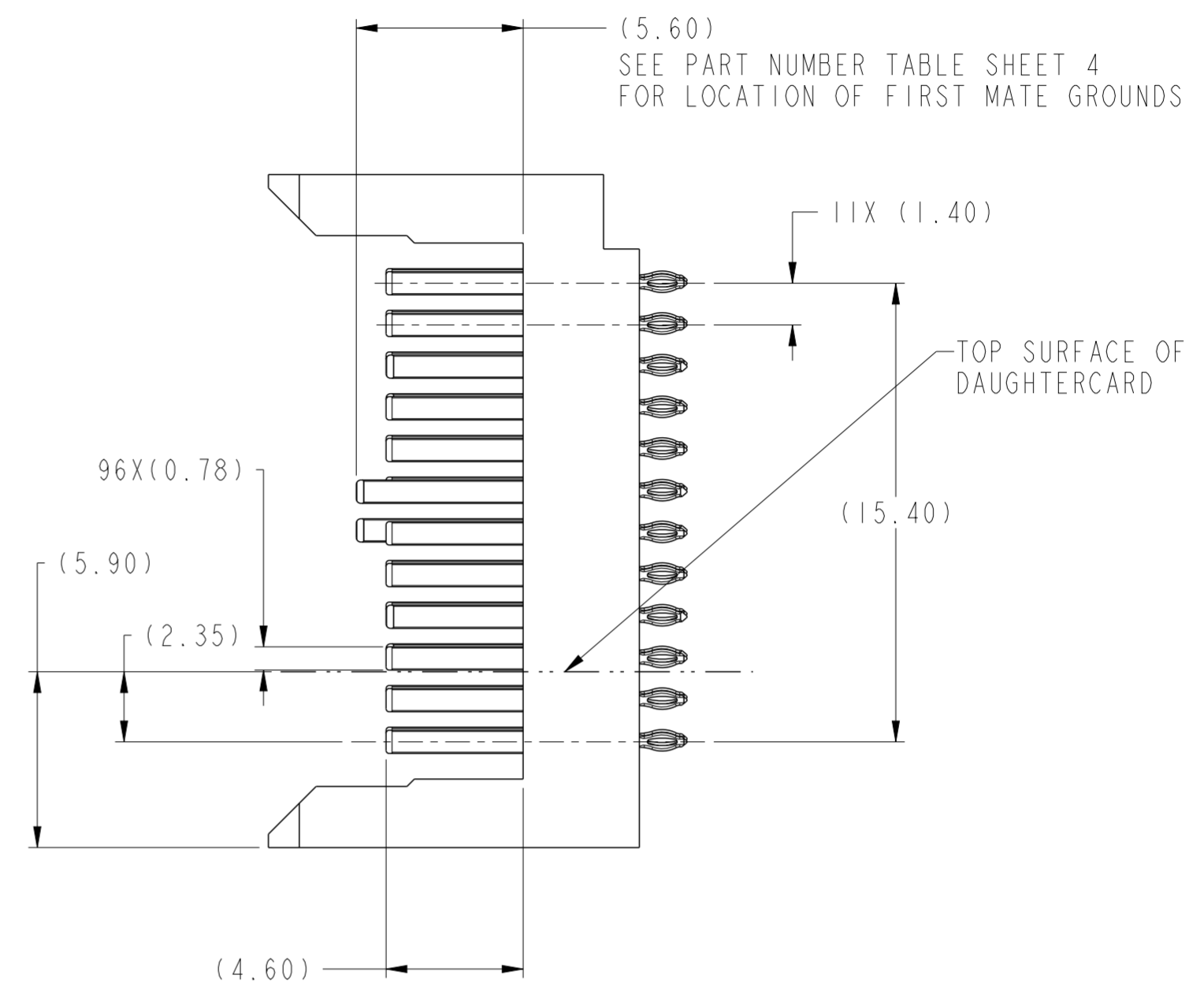
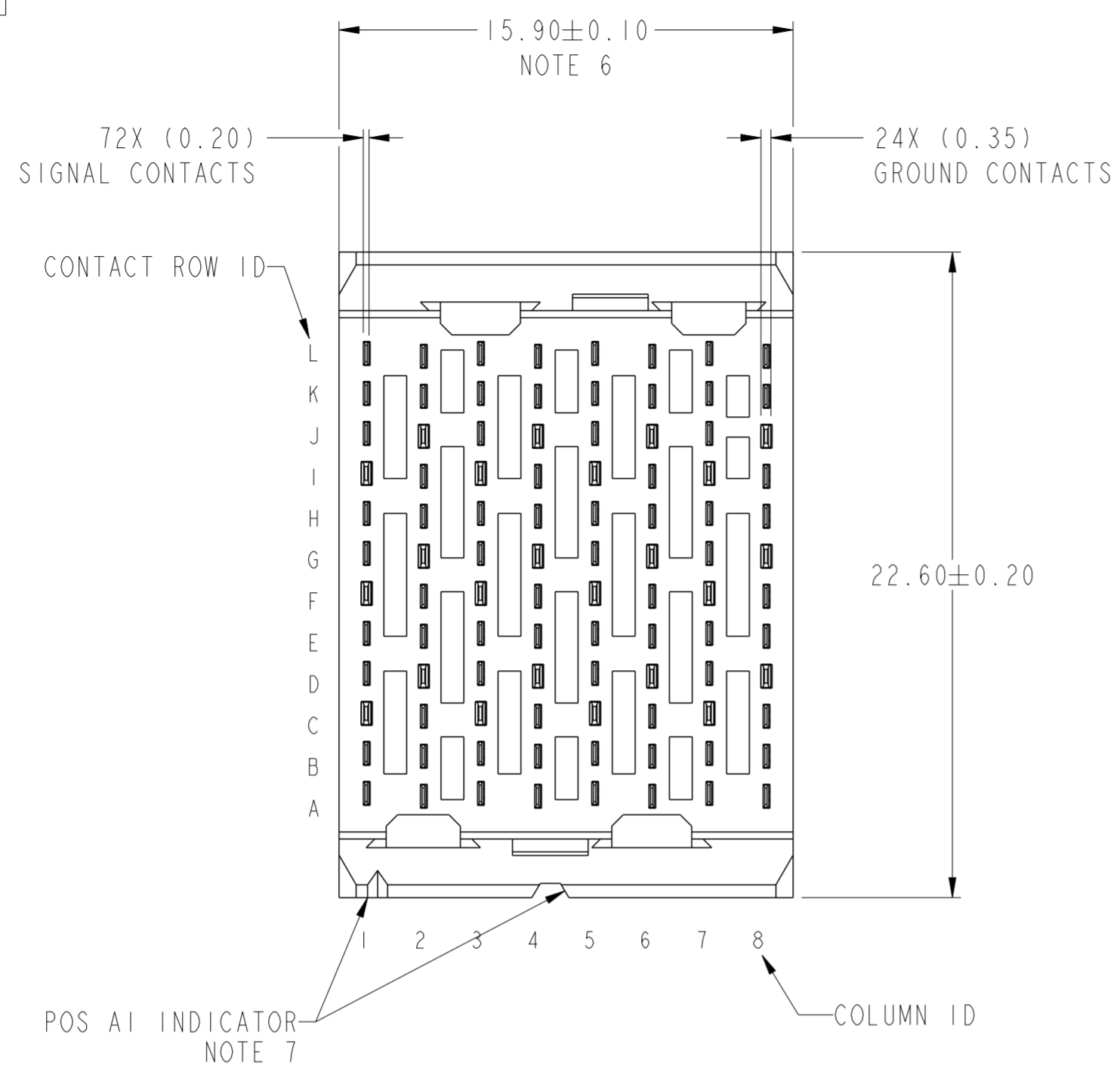


Product number
SEE TABLE, SHT 4



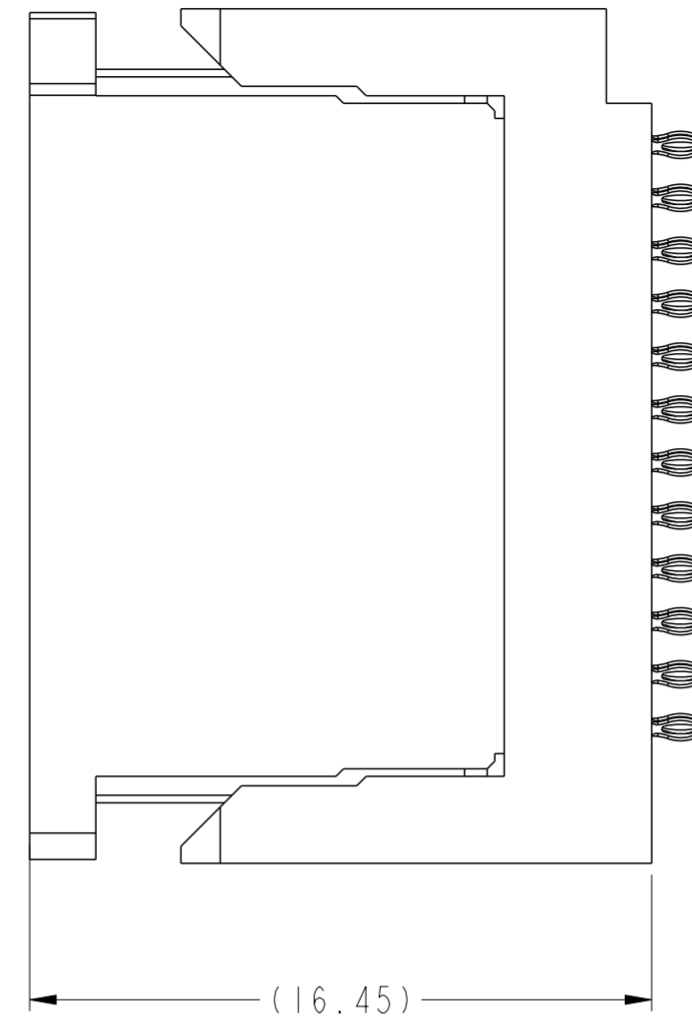
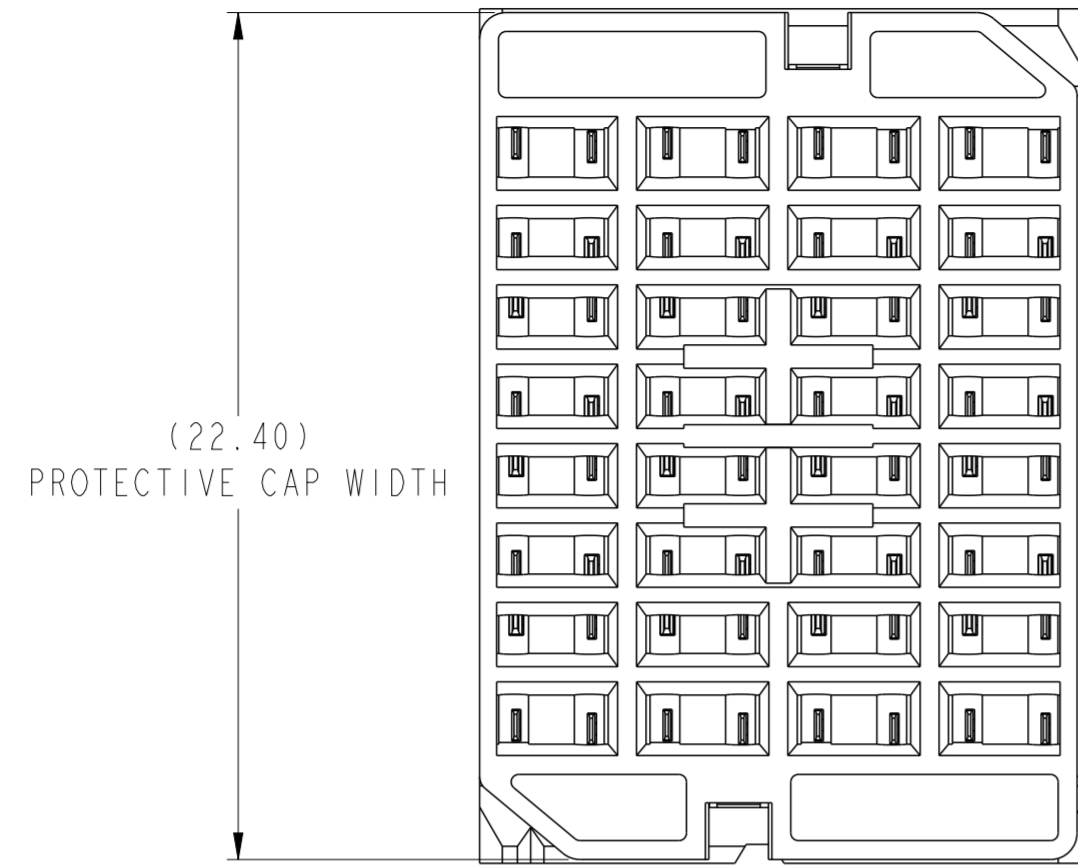
spec ref	-	dr	Tao Zhan	2014/06/12	projection	MM	size	A2	scale	5:1	
tolerance std	ASME Y14.5	eng	Terry Luo	2020/09/08			ecn no	ELX-DG-38252-1			
TOLERANCES UNLESS OTHERWISE SPECIFIED		chr	-				rel level	Released			
		appr	Heaven Cen 2020/09/17				product family	AIRMAX VS			
surface	-	linear	0.X	±0.3		AIRMAX VS2 VERTICAL HEADER 4 PAIR 96 POS 2MM 8 COL, GXT+	divg no	10130557		rev	C
			0.XX	±0.10			cat. no.	-		Product - Customer Drw	sheet 1 of 4
		angular	0°	±2°							

Amphenol FCI

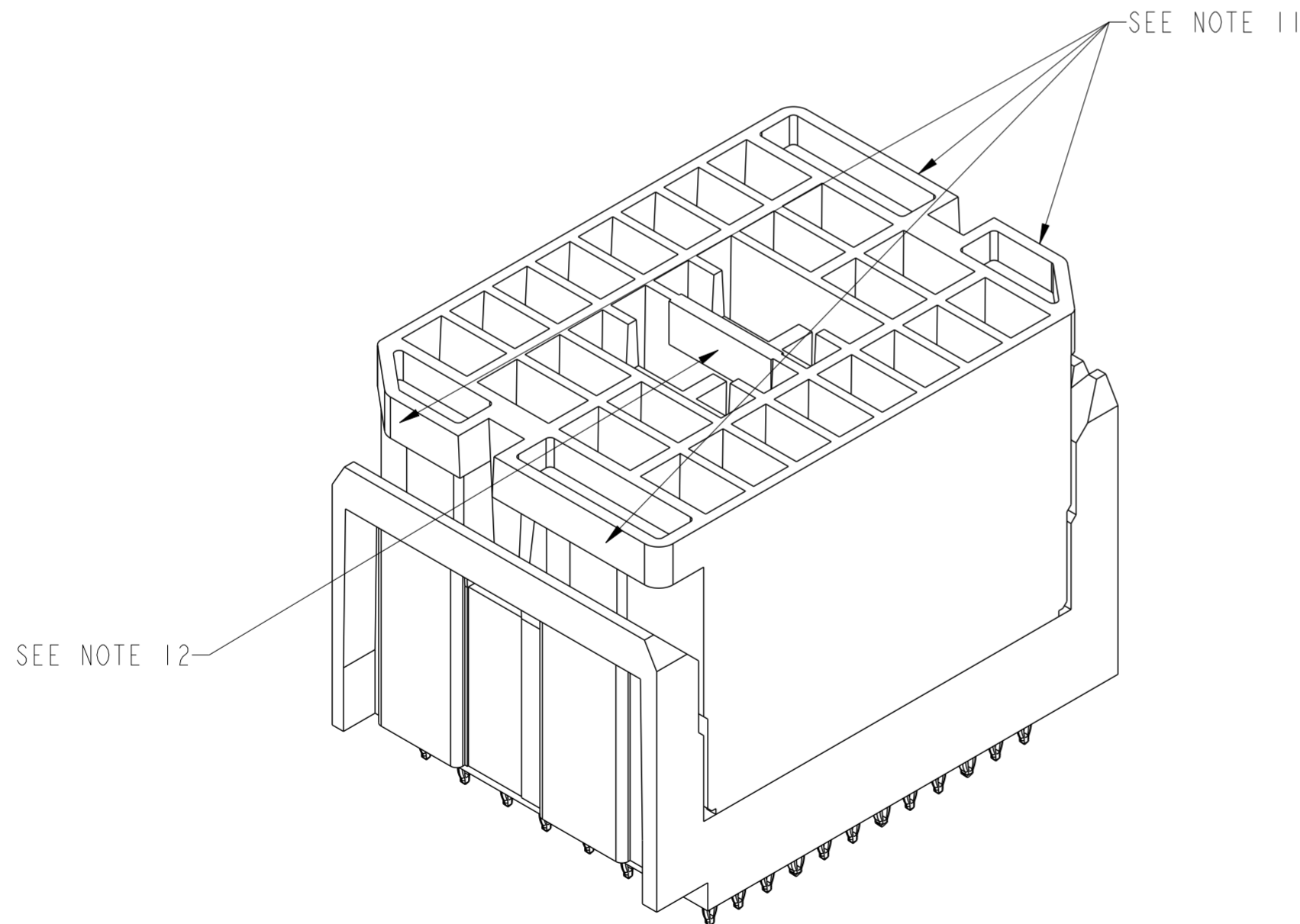
© 2016 AFCI

1 2 3 4 5 6 7 8

A
B
C
D
E
F



IEWS SHOWN WITH
PROTECTIVE COVER INSTALLED
10130557-101LF



spec ref	-	dr	Tao Zhan	2014/06/12	projection	MM	size	A2	scale	3:1
tolerance std	ASME Y14.5	eng	Terry Luo	2020/09/08			ecn no	ELX-DG-38252-1		
		chr	-	appr			Heaven Cen	2020/09/17	product family	AIRMAX VS
surface	-	linear	0.X	±0.3		AIRMAX VS2 VERTICAL HEADER 4 PAIR 96 POS 2MM 8 COL, GXT+	cat. no.	10130557		
			0.XX	±0.10			rel level	Released		
			0.XXX	±0.050			sheet 2 of 4	-		
ASME Y14.5	angular	0°	±2°		Product - Customer Drw		-			

PDS: Rev :C

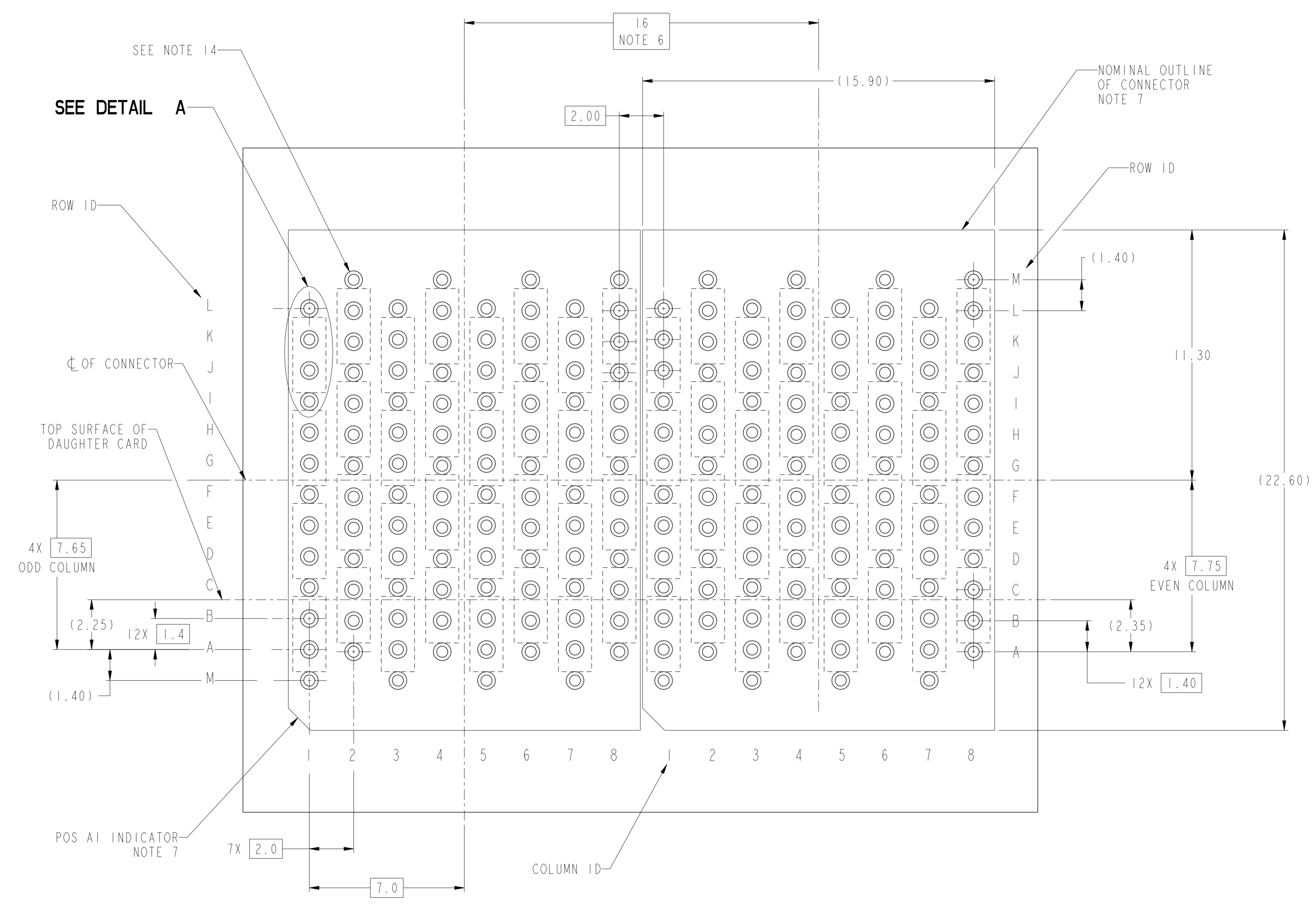
STATUS:Released

Printed: Sep 18, 2020

1 2 3 4 5 6 7 8

Amphenol
FCI

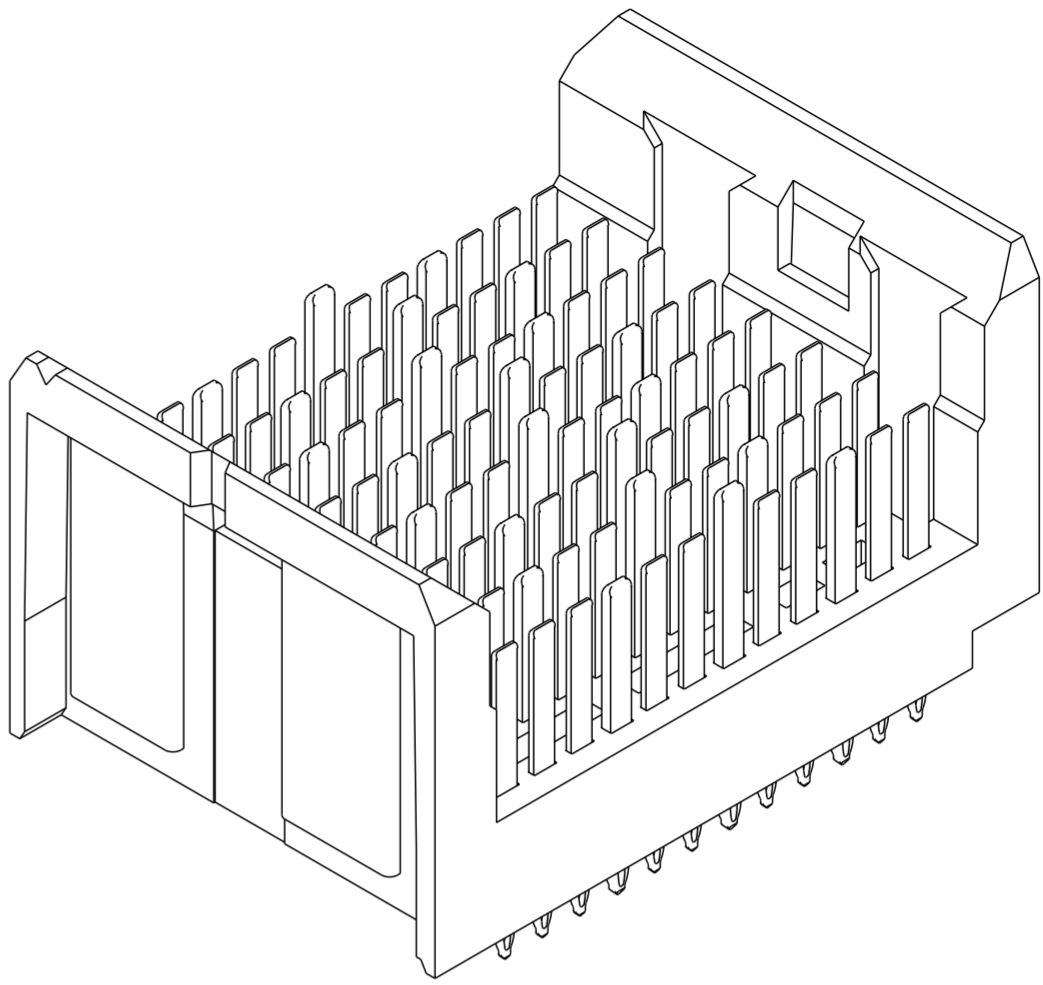
© 2016 APCI



**RECOMMENDED PCB LAYOUT
FOR DIFFERENTIAL APPLICATIONS,
COMPONENT SIDE
(TWO ADJACENT FOOTPRINTS SHOWN)
NOTES 6, AND 8**

spec ref	-	dr	Tao Zhan	2014/06/12	projection	MM	size	A2	scale	8:1	
tolerance std	ASME Y14.5	eng	Terry Luo	2020/09/08			ecn no	ELX-DG-38252-1			
TOLERANCES UNLESS OTHERWISE SPECIFIED		chr	-	appr			Heaven Cen	2020/09/17	rel level	Released	
surface	-	linear	0.X	±0.3	product family		-	rel level	Released		
			0.XX	±0.10	product family		-	rel level	Released		
			0.XXX	±0.050	product family		-	rel level	Released		
ASME Y14.5	angular		0°	±2°	product family		-	rel level	Released		
		Amphenol FCI		title		AIRMAX VS2 VERTICAL HEADER		dwg no		10130557	
				cat. no.		-		Product - Customer Drw		sheet 3 of 4	

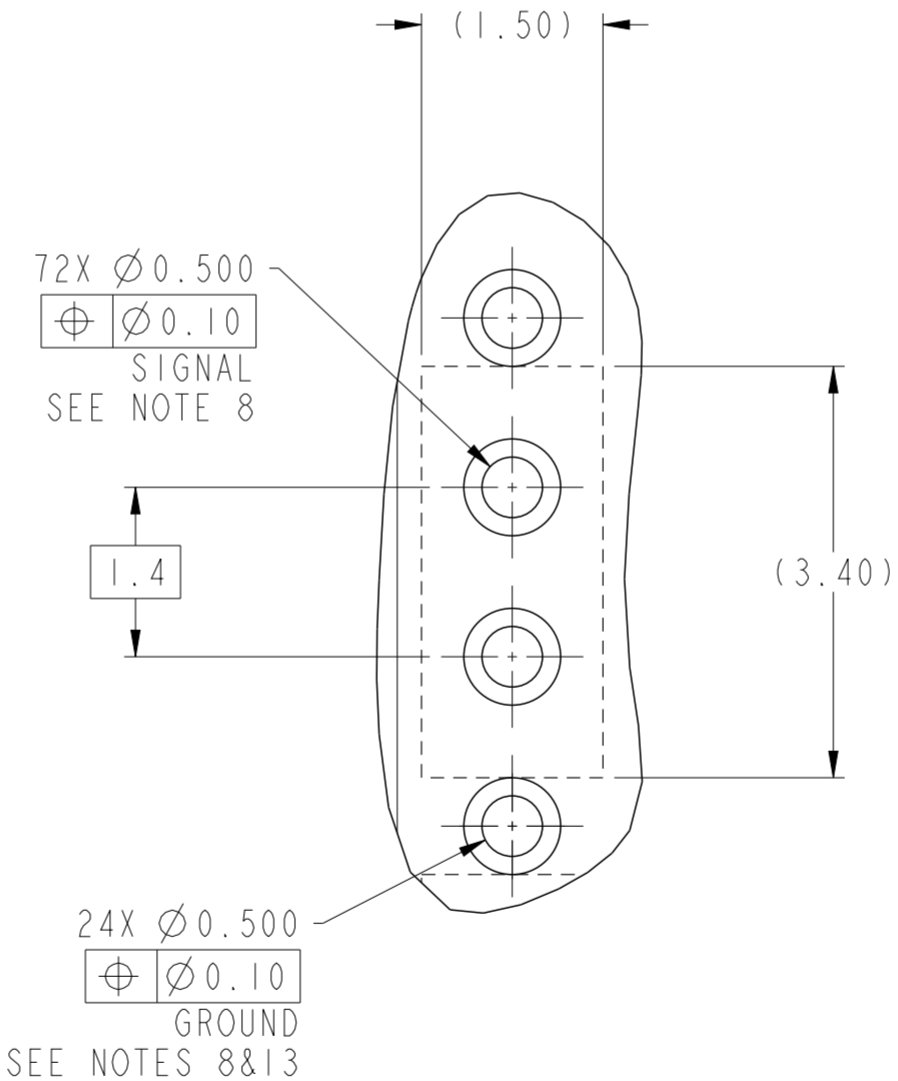
PART NUMBER	PRESS-FIT TAIL PLATING TYPE	PROTECTIVE COVER	LONG GROUND PIN LOCATIONS (5.6MM)
10130557-101LF	TIN OVER NICKEL (LEAD FREE)	YES	F1, F3, F5, F7 G2, G4, G6, G8



10130557-101LF (WITHOUT PROTECTIVE COVER)

NOTES:

1. CONNECTOR MATERIALS:
HOUSING: HIGH TEMP THERMOPLASTIC, BLACK, UL94V-0
CONTACT: COPPER ALLOY
2. CONTACT PLATING:
SEPARABLE INTERFACE: PERFORMANCE-BASED PLATING, QUALIFIED TO MEET THE REQUIREMENTS OF FCI PRODUCT SPECIFICATION GS-12-239 INCLUDING TELCORDIA GR-1217-CORE (NOVEMBER 1995) CENTRAL OFFICE TEST SEQUENCE
PRESS-FIT TAILS: SEE TABLE
3. PRODUCT SPECIFICATION: GS-12-239.
4. APPLICATION SPECIFICATION: GS-20-035.
5. PRODUCT MARKING, (PROTOTYPE, PART NUMBER & LOT CODE), ON THIS SURFACE.
6. THE MINIMUM CENTERLINE SPACING BETWEEN ADJACENT MODULES IS 16.0 mm.
7. CONNECTOR OUTLINE WITH HOUSING POS A1 INDICATOR MAY BE SCREEN PRINTED ONTO CUSTOMER PCB TO BE USED AS A GUIDE FOR MANUAL CONNECTOR PLACEMENT.
8. REFER TO CUSTOMER DRAWING 10104444 FOR INFORMATION ON PCB HOLE DIAMETERS AND PLATING OPTIONS.
9. THIS PRODUCT MEETS EUROPEAN UNION DIRECTIVES AND OTHER COUNTRY REGULATIONS AS DESCRIBED IN GS-22-008.
10. PACKAGING MEETS GS-14-920 LEAD FREE LABELING SPECIFICATION.
11. FOR REMOVAL OF THE PROTECTIVE CAP BY HAND GRIP USING THESE SURFACES.
12. FOR REMOVAL OF THE PROTECTIVE CAP WITH PLIERS GRIP USING THIS FEATURE.
13. GROUND VIAS IN POSITIONS C, F, I, & M FOR ODD COLUMNS AND POSITIONS D, G, J, & M FOR EVEN COLUMNS REQUIRE (Ø0.50) FINISHED HOLES. ALL OTHER VIAS REQUIRE (Ø0.50) FINISHED HOLES.
14. THE OUTER VIAS IN COLUMN M ARE OPTIONAL. IF ADDED THESE HOLES PROVIDE GROUND SYMMETRY THROUGH THE PCB. NO CONNECTOR EONS WILL BE PRESSED INTO THESE HOLES.



DETAIL A
SCALE 16:1

spec ref	-	dr	Tao Zhan	2014/06/12	projection	MM	size	A2	scale	8:1
tolerance std	ASME Y14.5	eng	Terry Luo	2020/09/08	chr	-	ecn no	ELX-DG-38252-1		
TOLERANCES UNLESS OTHERWISE SPECIFIED		appr	Heaven Cen	2020/09/17	product family	-	rel level	Released		
surface	-	linear	0.X	±0.3	Amphenol FCI	AIRMAX VS2 VERTICAL HEADER 4 PAIR 96 POS 2MM 8 COL, GXT+	dwg no	10130557	rev	C
		0.XX	±0.10							
		0.XXX	±0.050							
ASME Y14.5	angular	0°	±2°	cat. no.	-	Product - Customer Drw	sheet 4 of 4			