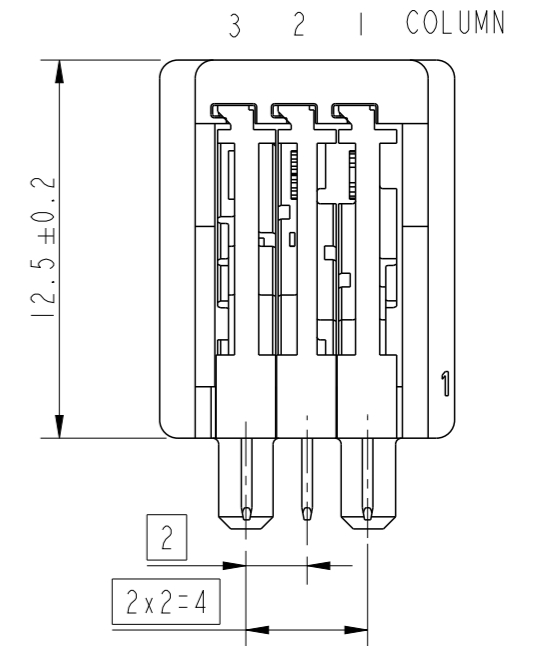
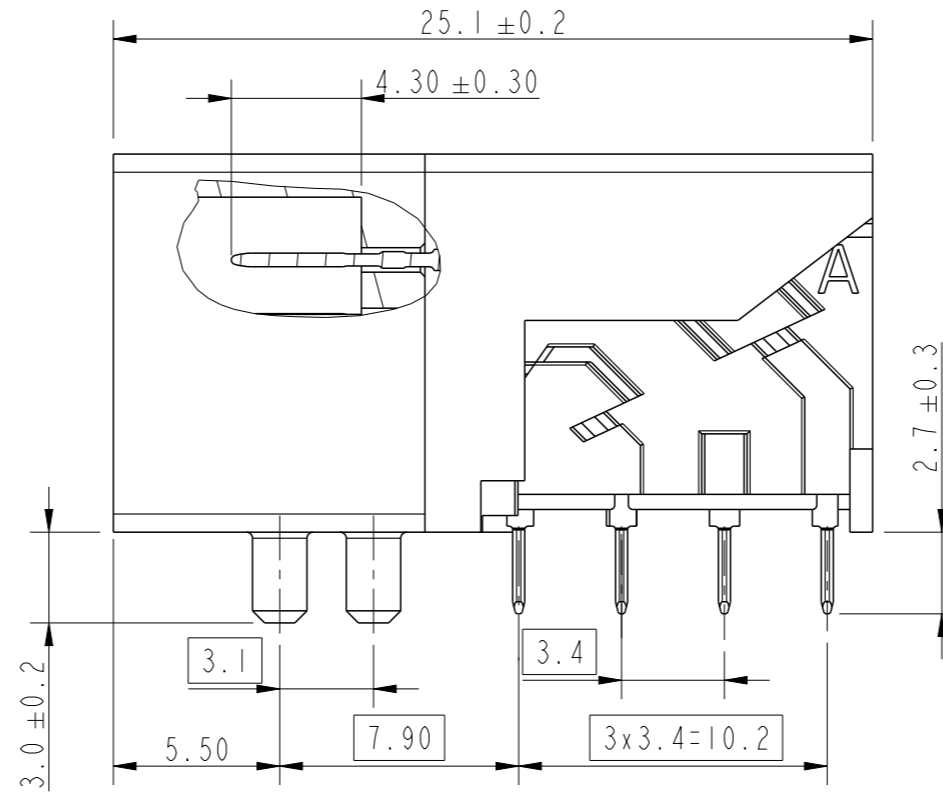
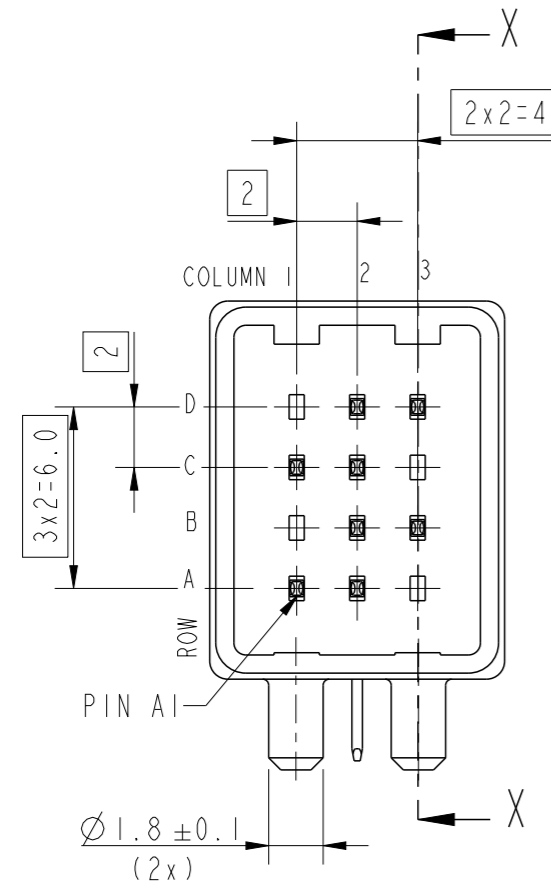
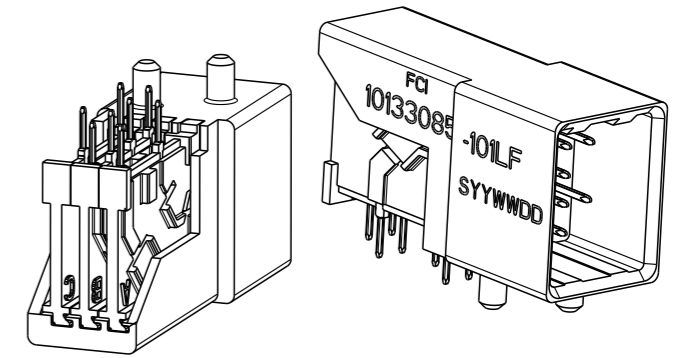
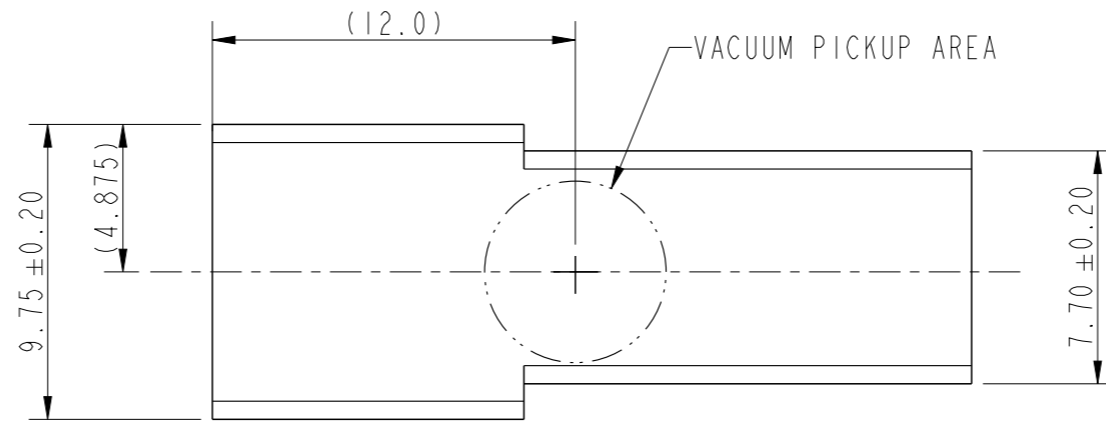


PRODUCT NUMBER  
SEE TABLE

(SEE NOTE 8, SHEET 6)



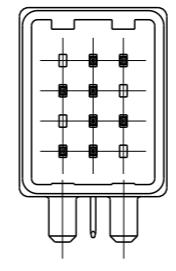
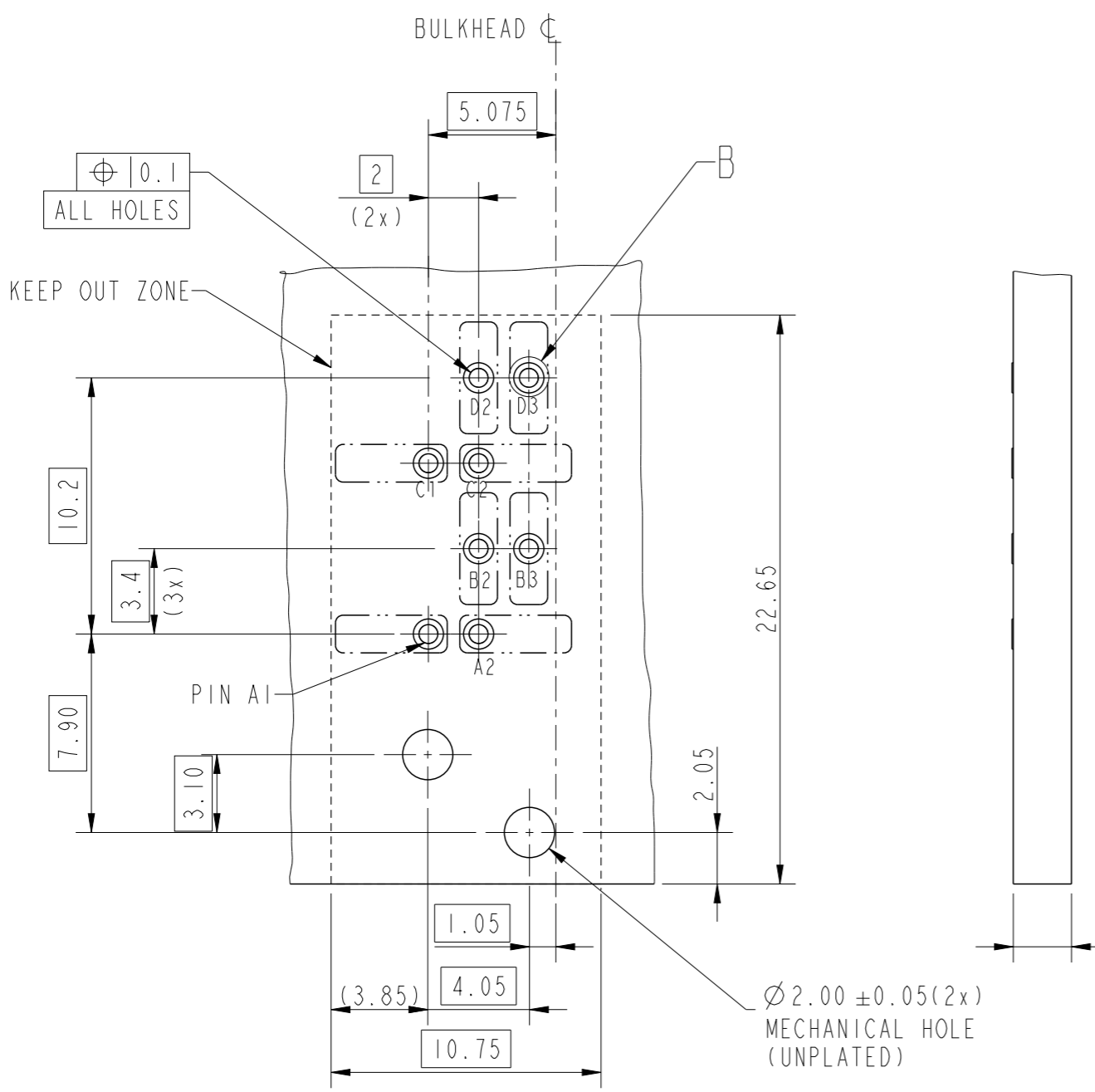
SECTION X-X

AFCI PART NO	ROW	COLUMN 1	COLUMN 2	COLUMN 3
10133085-101LF	D	-	x	x
	C	x	x	-
	B	-	x	x
	A	x	x	-
10133085-102LF	D	x	x	x
	C	x	x	-
	B	x	x	x
	A	x	x	-
10133085-103LF	D	x	x	x
	C	x	x	x
	B	x	x	x
	A	x	x	x
10133085-104LF	D	x	x	NO IMLA
	C	-	-	
	B	x	x	
	A	-	-	

"X"-CONTACTS LOADED POSITION

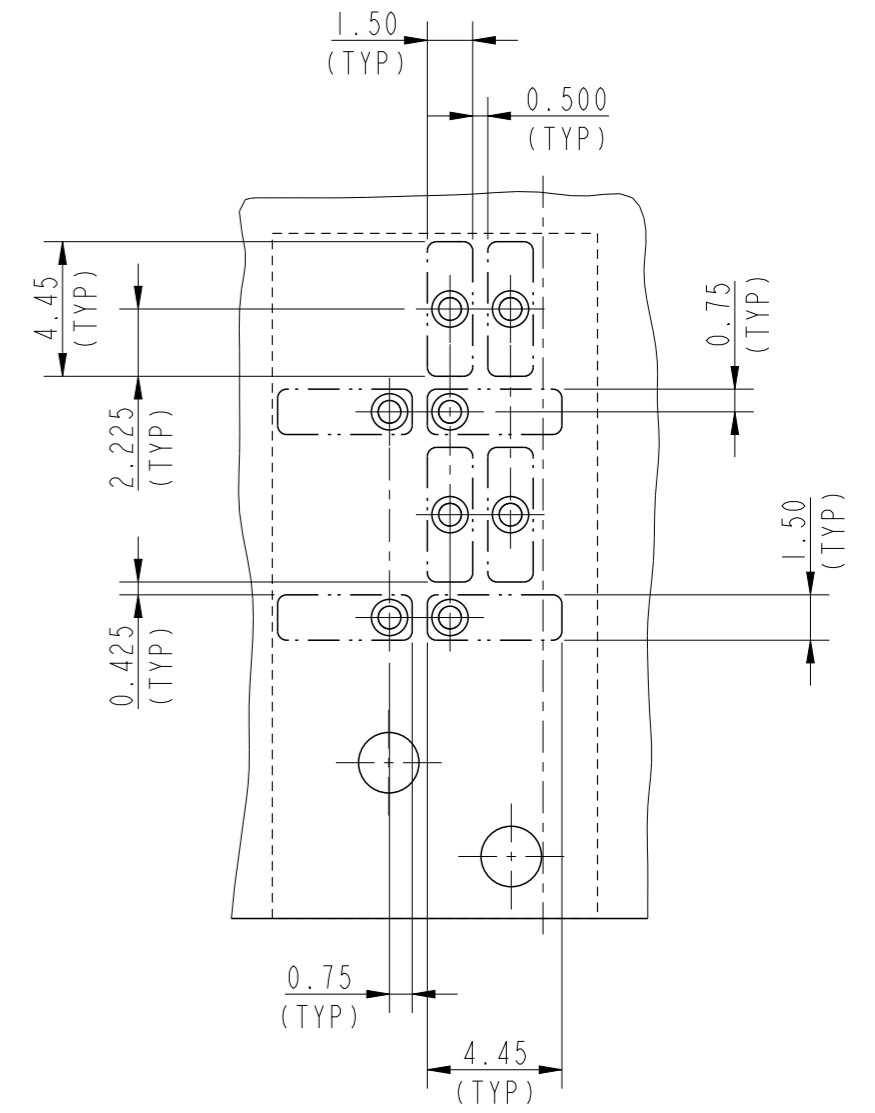
spec ref	-	dr	Alosius, Stali	2015/09/24	projection	mm	size	A3	scale	2:1	
tolerance std	ISO 406 ISO 1101	eng	Alosius, Stali	2019/08/08			ecn no	ELX-I-34485-1	rel level	Released	
surface	linear	chr	-	apppr							Varma Sudhir
	angular	0°	±0.3	±0.10	±0.050	±2°	cat. no.	-	Product - Customer Drw	sheet 1 of 6	
<b>Amphenol FCI</b> METRAL HDXS SIGNAL OCTIS RA BC PIP TERMINATION							dwg no	10133085		rev	G

VIEW FROM COMPONENT SIDE P/N 10133085-101LF



P/N 10133085-101LF  
(8 POS. SIGNAL)

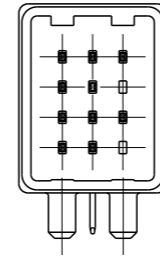
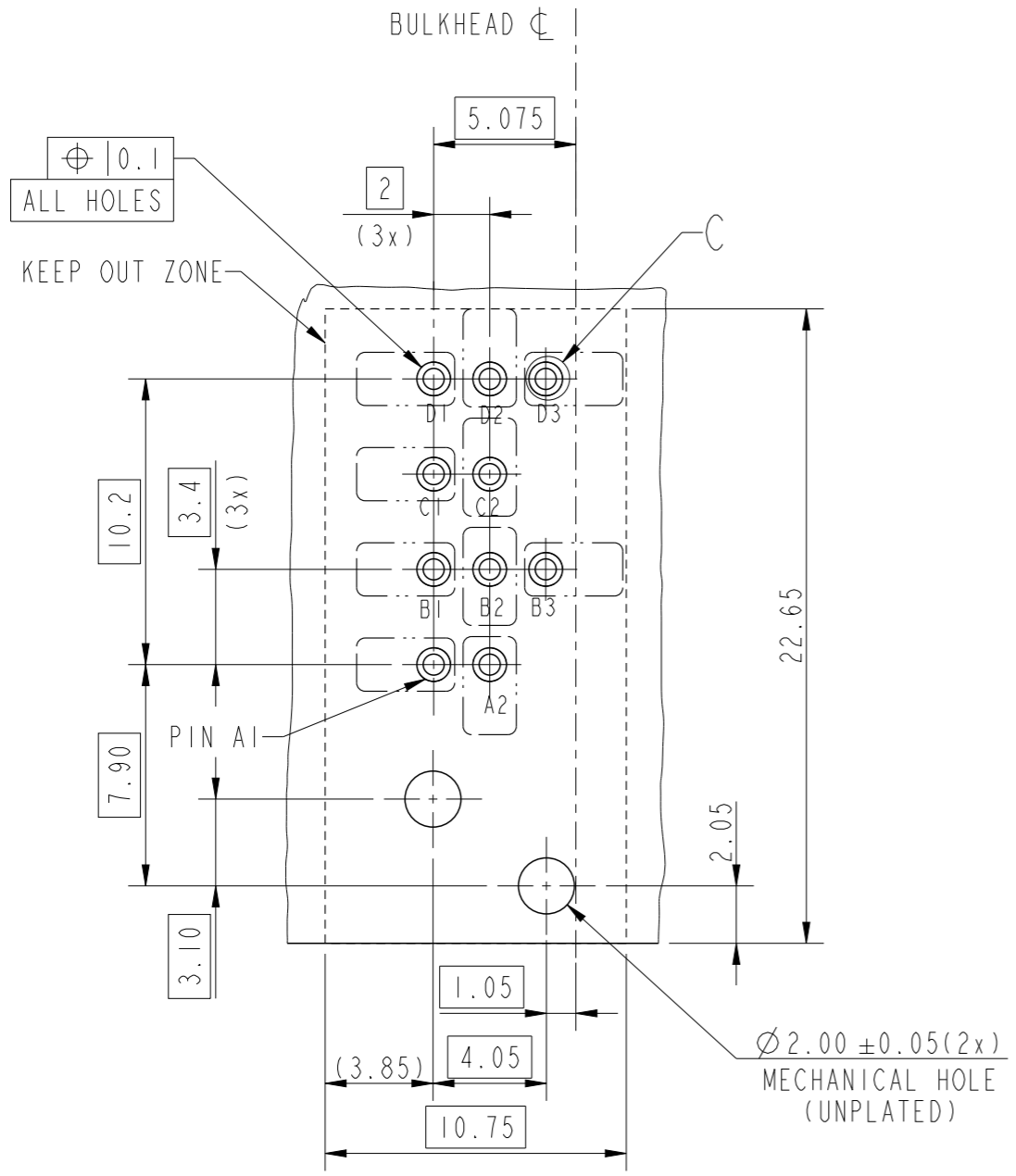
SOLDER PAD DIMENSIONS



SIGNAL PTH DETAILS	
DRILLED HOLE	0.82-0.87mm
COPPER PLATING	25-50µm
TIN PLATING	0.8-1.2µm
FINISHED HOLE DIA	0.70-0.80mm

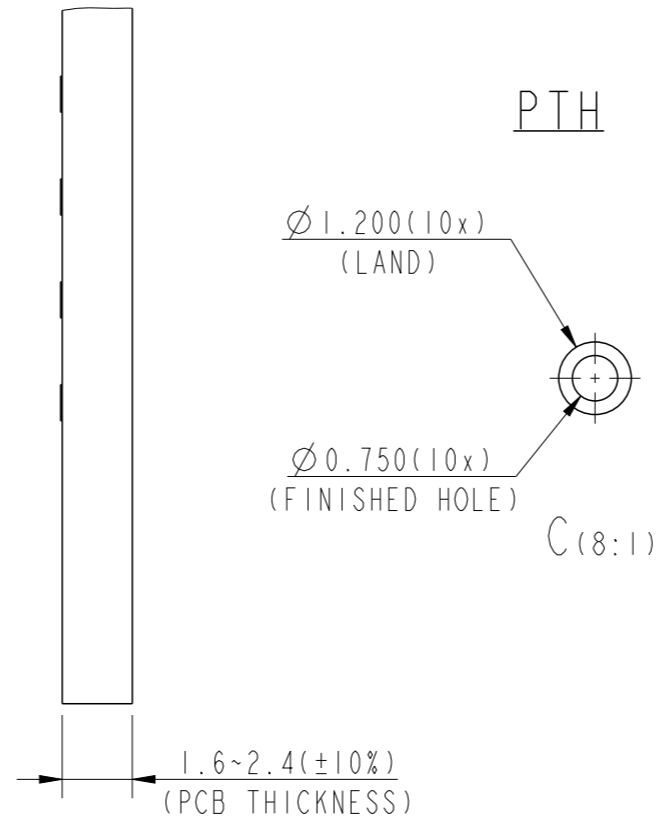
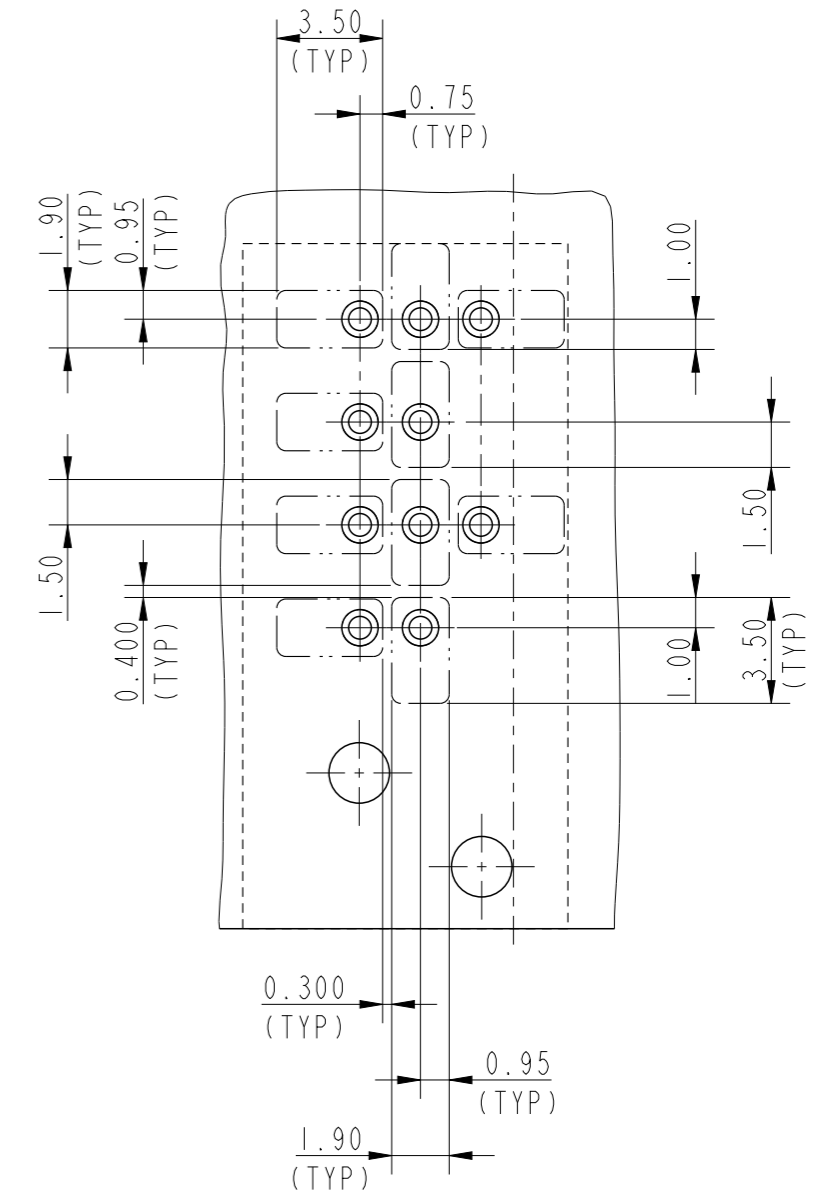
spec ref	-	dr	Alosius, Stali	2015/09/24	projection	mm	size	A3	scale	1:1
tolerance std	ISO 406 ISO 1101	eng	Alosius, Stali	2019/08/08			ecn no	ELX-I-34485-1	rel level	Released
TOLERANCES UNLESS OTHERWISE SPECIFIED		chr	-	-						
surface	linear	0.X	±0.3		METRAL HDXS SIGNAL OCTIS RA BC		dwg no	10133085	rev	G
		0.XX	±0.10		PIP TERMINATION					
	angular	0°	±2°		cat. no.	-	Product - Customer Drw	sheet 2 of 6		

VIEW FROM COMPONENT SIDE P/N 10133085-102LF



P/N 10133085-102LF  
(10 POS. SIGNAL)

SOLDER PAD DIMENSIONS



Amphenol  
FCi

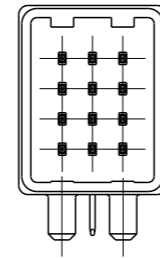
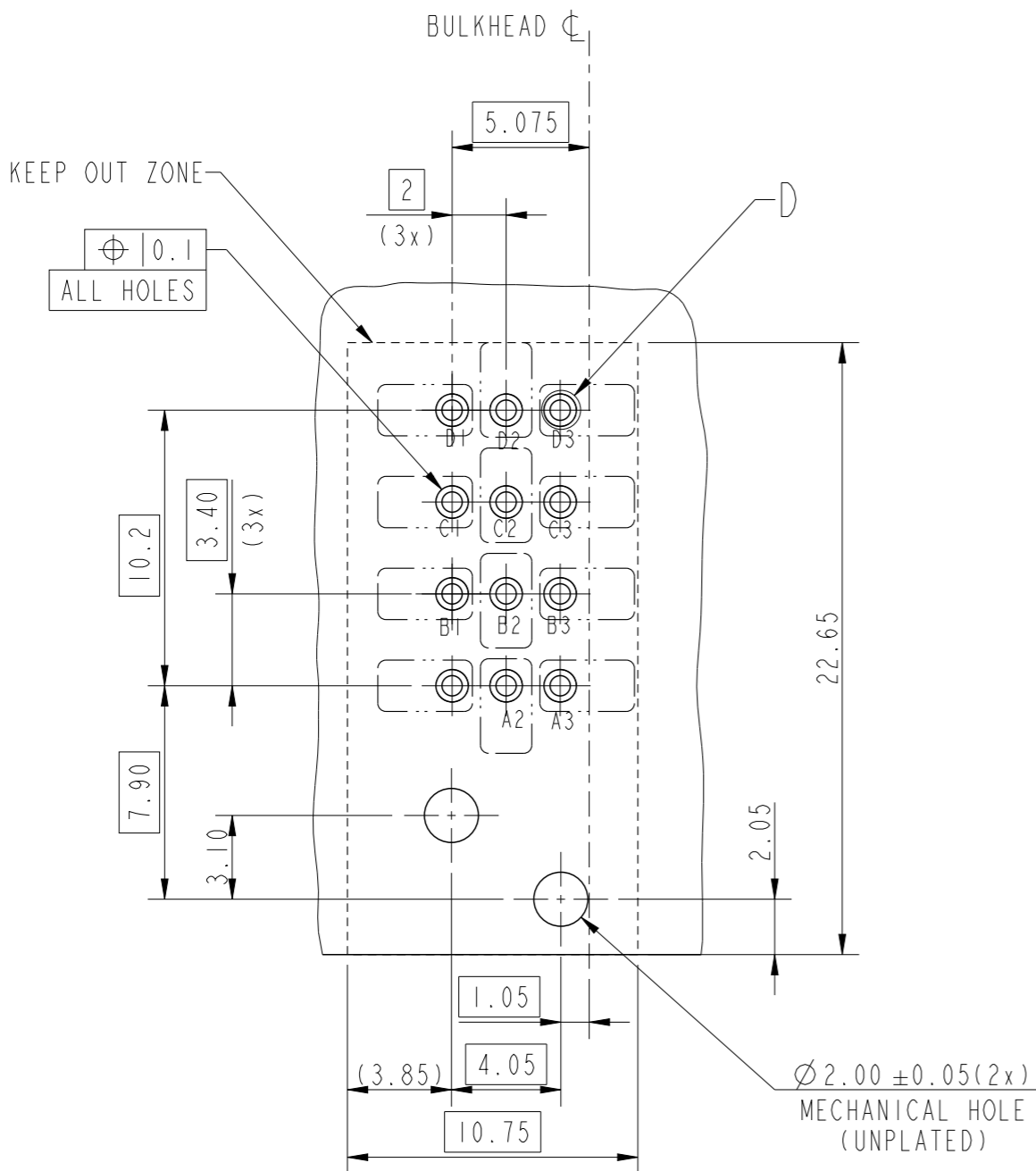
© 2016 AFCI

SIGNAL PTH DETAILS	
DRILLED HOLE	0.82-0.87mm
COPPER PLATING	25-50 $\mu$ m
TIN PLATING	0.8-1.2 $\mu$ m
FINISHED HOLE DIA	0.70-0.80mm

spec ref	-	dr	Alosius, Stali	2015/09/24
tolerance std	ISO 406 ISO 1101	eng	Alosius, Stali	2019/08/08
TOLERANCES UNLESS OTHERWISE SPECIFIED		chr	-	-
		appr	Varma Sudhir	2019/08/08
surface	linear	0.X	$\pm 0.3$	Amphenol FCi
		0.XX	$\pm 0.10$	
	angular	0°	$\pm 2^\circ$	

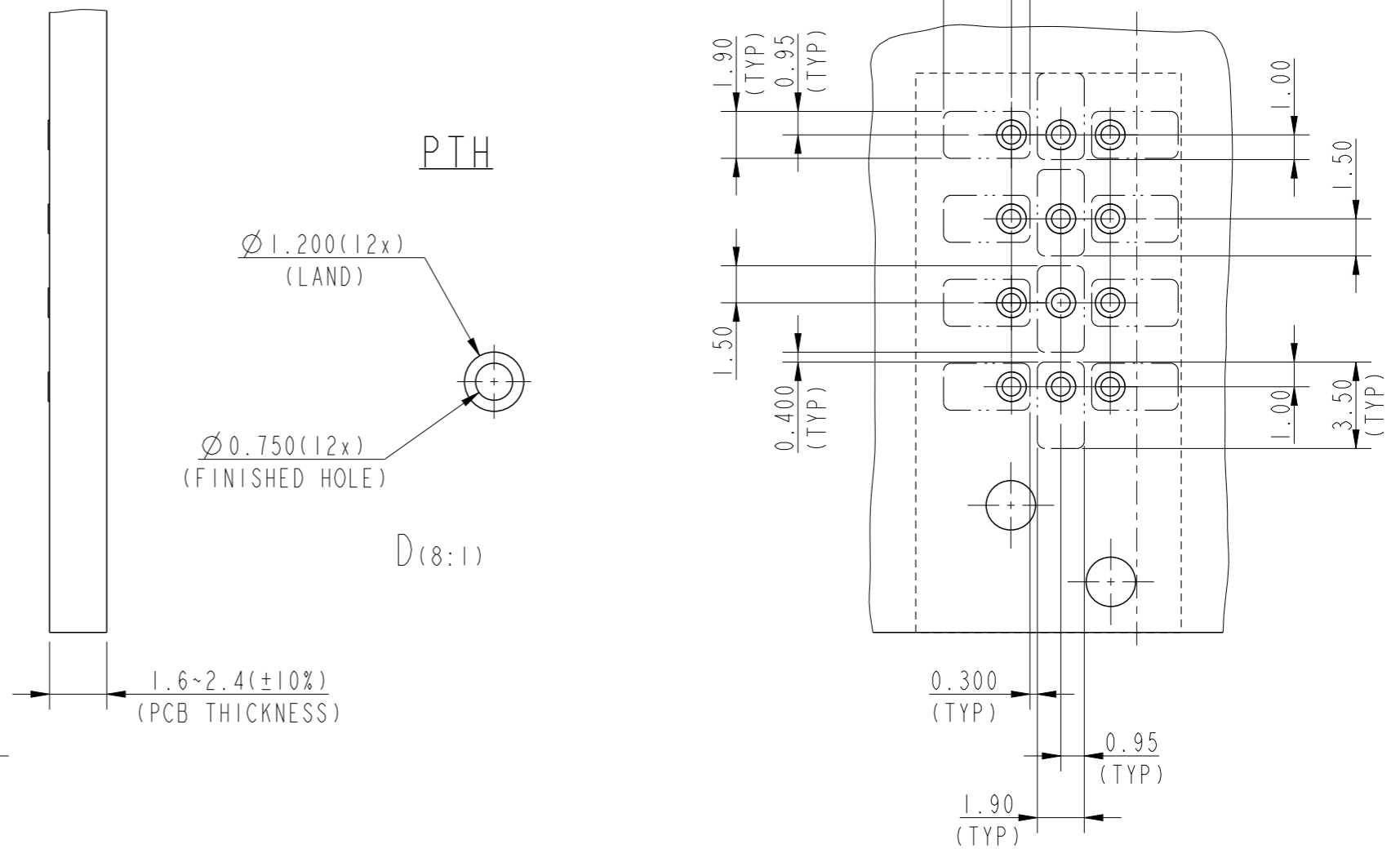
projection		size	A3	scale	1:1
product family	OCTIS	ecn no	ELX-I-34485-1	rel level	Released
cat. no.	METRAL HDXS SIGNAL OCTIS RA BC	dwg no	10133085	rev	G
Product - Customer Drw		sheet 3 of 6			

VIEW FROM COMPONENT SIDE P/N 10133085-103LF



P/N 10133085-103LF  
(12 POS. SIGNAL)

SOLDER PAD DIMENSIONS



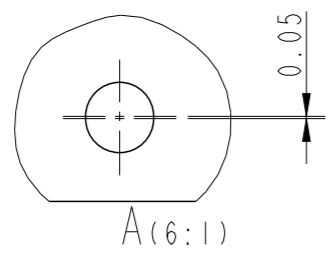
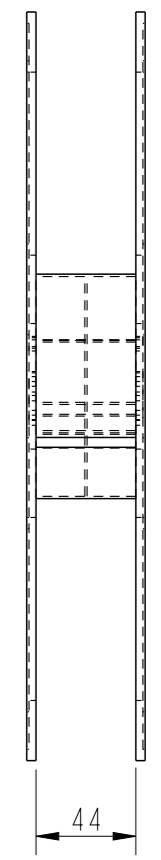
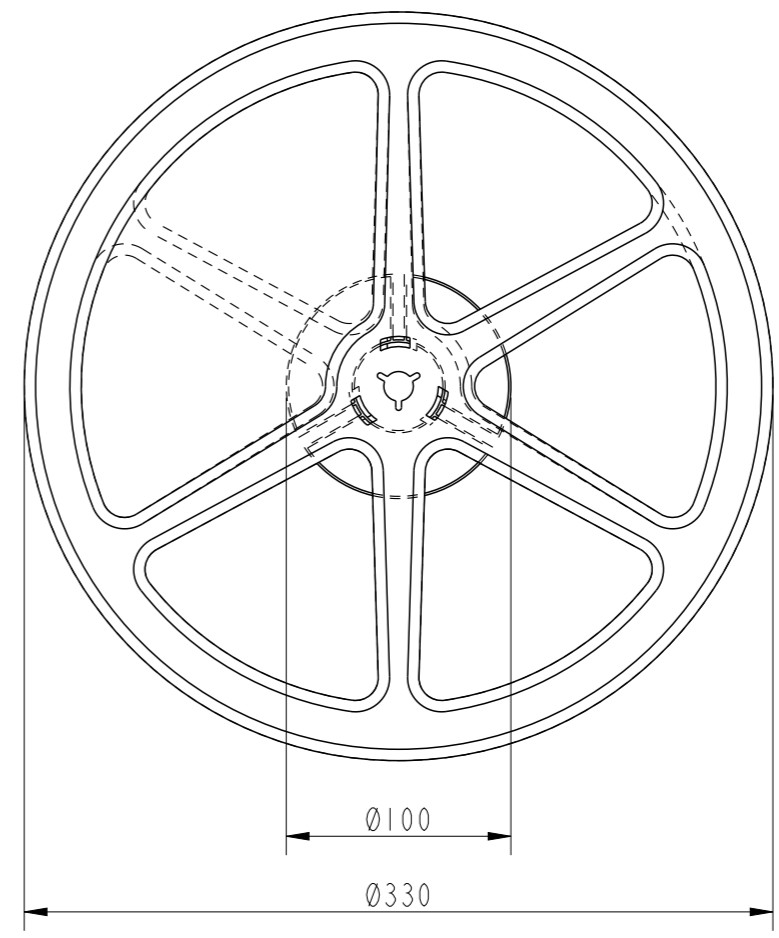
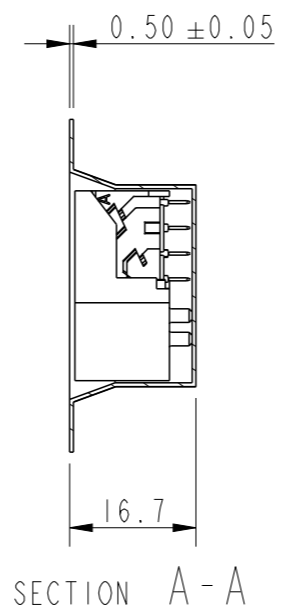
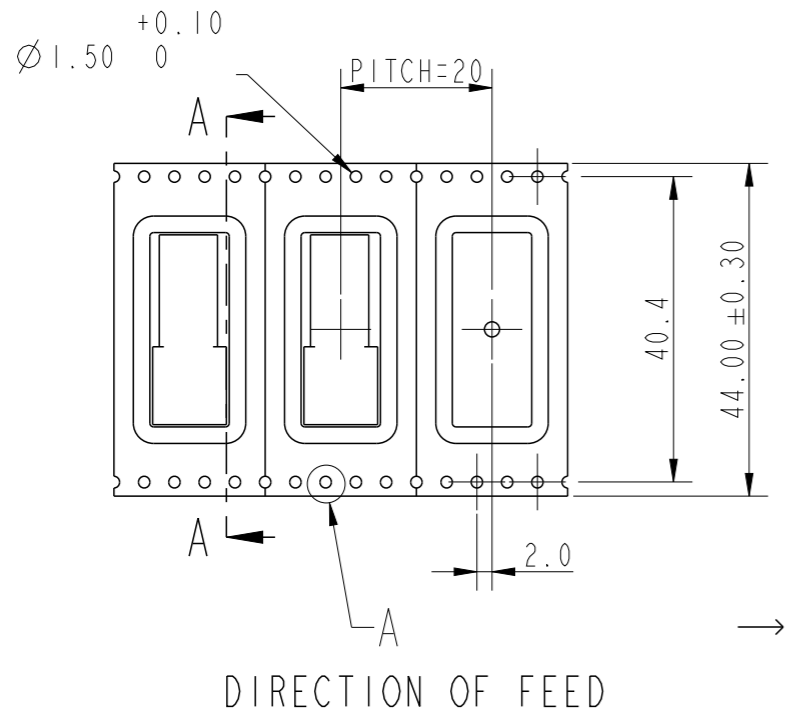
Amphenol  
FCi

© 2016 AFCI

SIGNAL PTH DETAILS	
DRILLED HOLE	0.82-0.87mm
COPPER PLATING	25-50 $\mu$ m
TIN PLATING	0.8-1.2 $\mu$ m
FINISHED HOLE DIA	0.70-0.80mm

spec ref	-	dr	Alosius, Stali	2015/09/24	projection	mm	size	A3	scale	1:1	
tolerance std	ISO 406 ISO 1101	eng	Alosius, Stali	2019/08/08			ecn no	ELX-I-34485-1			
TOLERANCES UNLESS OTHERWISE SPECIFIED		chr	-	-			rel level	Released			
surface	linear	appr	Varma Sudhir	2019/08/08	product family	OCTIS	dwg no	10133085		rev	G
ISO 1302	angular			cat. no.	Product - Customer Drw		sheet 4 of 6				
	0.X										
	0.XX										
	0.XXX										
	0°										
	$\pm 0.3$										
	$\pm 0.10$										
	$\pm 0.050$										
	$\pm 2^\circ$										

PACKAGING SPECIFICATION

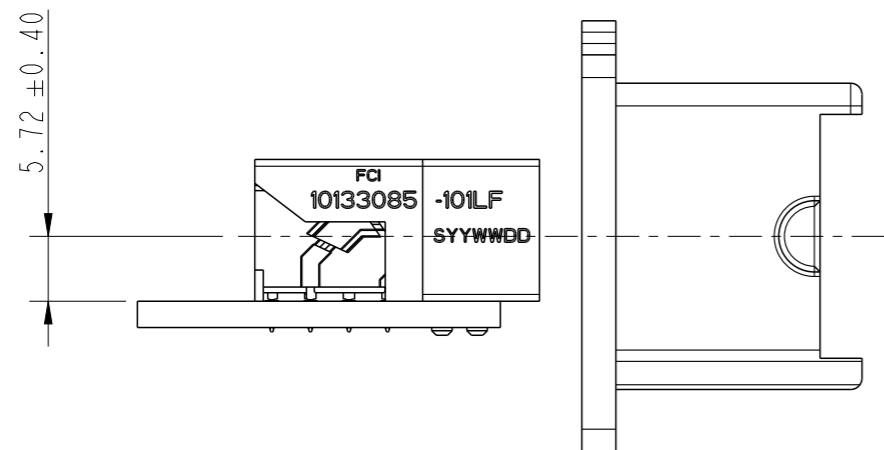


TAPE & REEL PACKING DETAILS

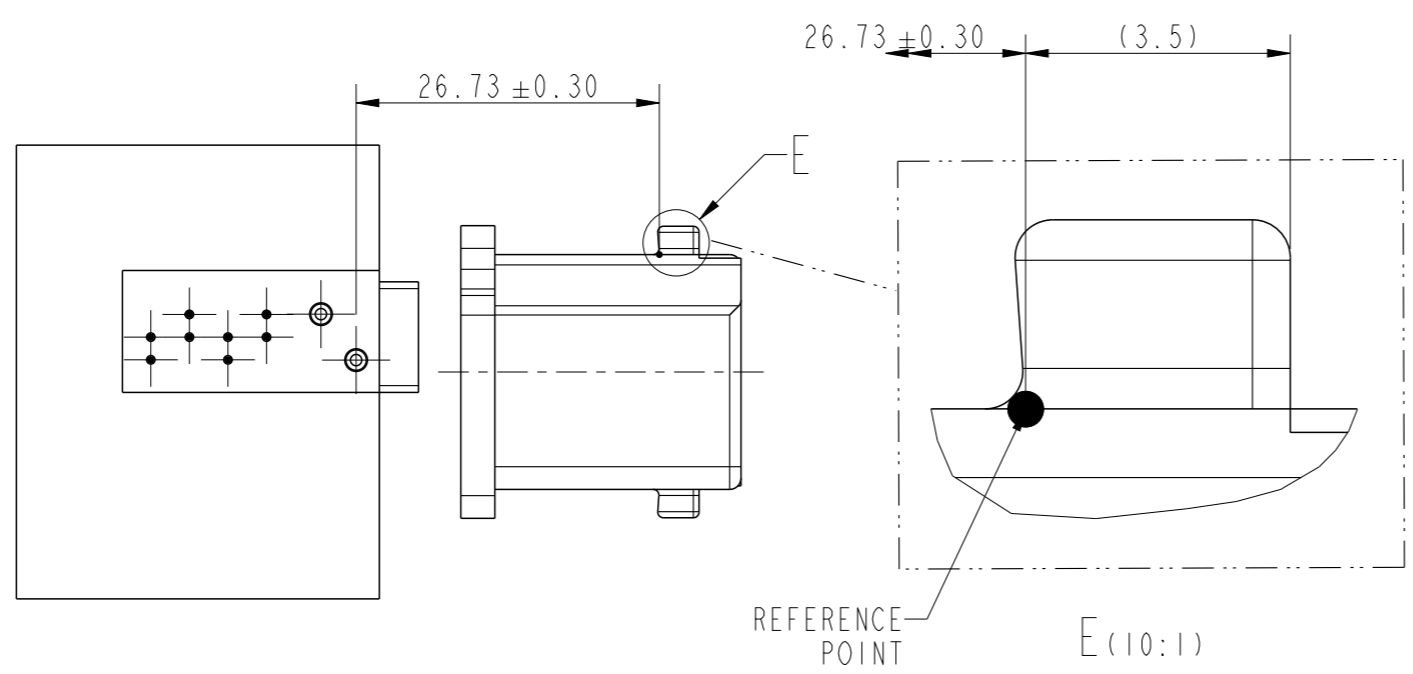
NOTES:

1. PACKAGING DETAILS AS PER EIA-481 STD.
2. PACKING SHOULD BE ANTISTATIC.
3. MATERIAL :  
CARRIER TAPE : POLYSTYRENE  
COVER TAPE : POLYSTYRENE

spec ref	-	dr	Alosius, Stali	2015/09/24	projection	mm	size	A3	scale	2:1
tolerance std	ISO 406 ISO 1101	eng	Alosius, Stali	2019/08/08			ecn no	ELX-I-34485-1	rel level	Released
TOLERANCES UNLESS OTHERWISE SPECIFIED		chr	-	-						
surface	linear	0.X	$\pm 0.3$		METRAL HDXS SIGNAL OCTIS RA BC		dwg no	10133085	rev	G
		0.XX	$\pm 0.10$		PIP TERMINATION					
ISO 1302	angular	0°	$\pm 2^\circ$		cat. no.	Product - Customer Drw	sheet 5 of 6			



SCALE 3:2



NOTES:

- 1: MATERIAL :  
 - RESIN - LCP, GLASS FILLED, FLAME RETARDANT ACC  
 FLAMMABILITY CLASIFICATION - UL94-V0  
 -SIGNAL CONTACTS - COPPER ALLOY
2. PLATING :  
 -GOLD OVER PALLADIUM NICKEL ON CONTACT AREA OF SIGNALS  
 -PURE TIN AT TERMINAL AREA OF SIGNALS
3. PRODUCT SPECIFICATION: GS-12-1338
4. PACKAGING - TAPE & REEL
5. UNDER PLATING FOR CONTACTS - 1.27µm NICKEL.
6. PRODUCT WILL WITHSTAND EXPOSURE TO 260° FOR 60 SECONDS IN A CONVECTION, INFRA RED OR VAPOUR PHASE REFLOW OVEN
7. PRODUCT WHERE THE PARTNUMBER ENDS IN LF MEETS EUROPEAN DIRECTIVES AND OTHER COUNTRY REGULATIONS AS DESCRIBED IN GS-47-0004.
8. VIEWS SHOWN ON PAGE 1 & 6 ARE OF P/N 10133085-101LF

Amphenol FCI

© 2016 AFCI

spec ref -		dr	Alosius, Stali	2015/09/24	projection	mm	size	A3	scale	1:2
tolerance std		eng	Alosius, Stali	2019/08/08			ecn no		ELX-I-34485-1	
ISO 406 ISO 1101		chr	-	-			rel level		Released	
TOLERANCES UNLESS OTHERWISE SPECIFIED		appr	Varma Sudhir	2019/08/08	product family		METRAL HDXS SIGNAL OCTIS RA BC		rev	
surface	linear	0.X		±0.3		dwg no		10133085		
		0.XX		±0.10		cat. no.		Product - Customer Drw		
ISO 1302		0.XXX		±0.050		sheet 6 of 6		STATUS:Released		
angular		0°		±2°	PDS: Rev :G		Printed: Aug 08, 2019			