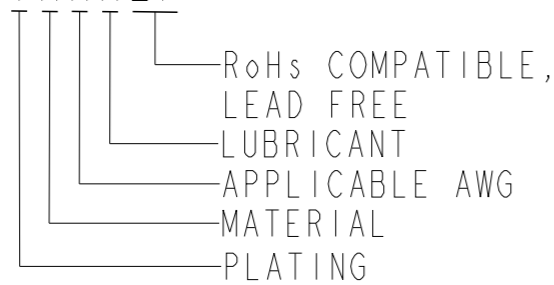


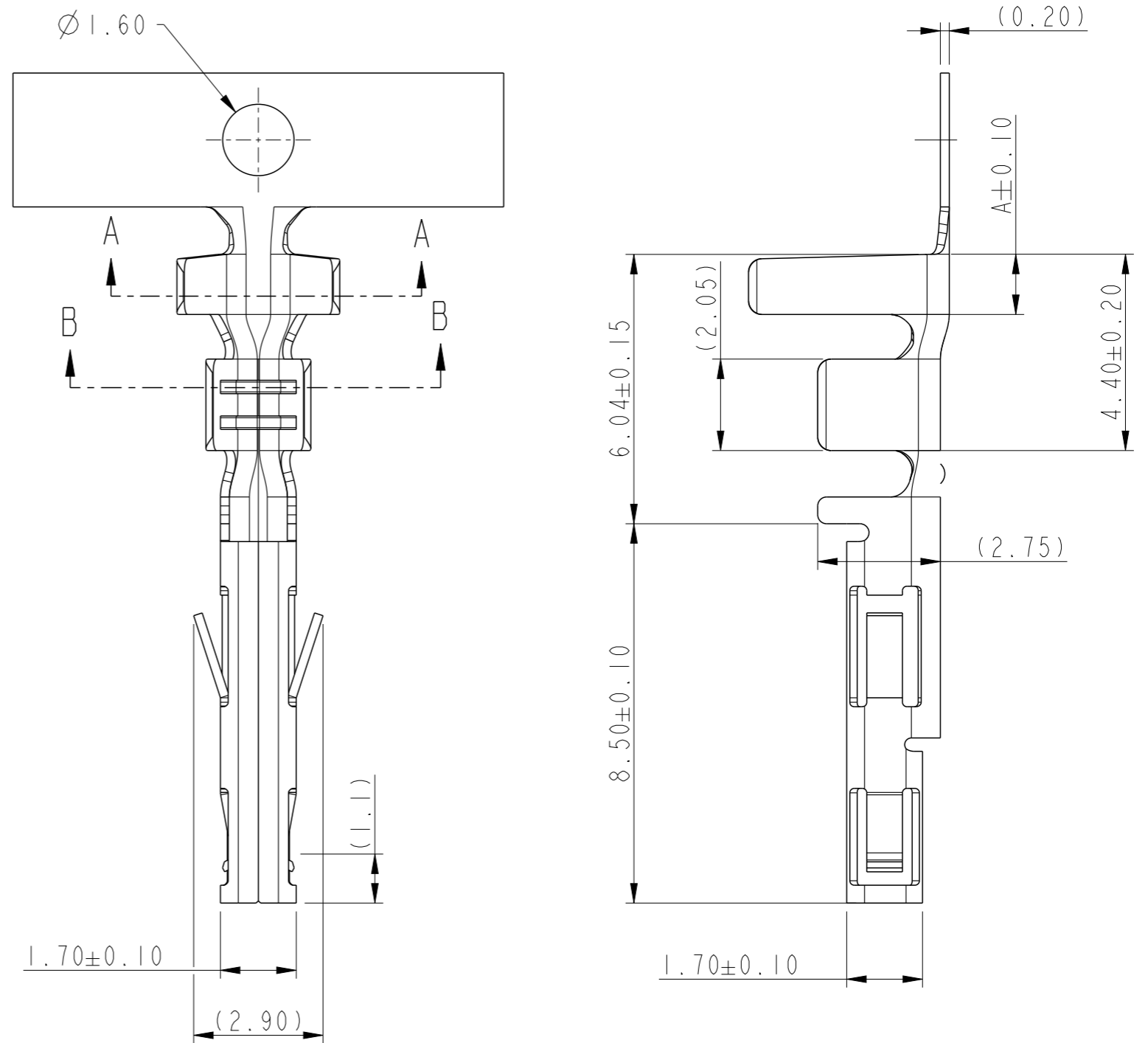
PRODUCT NUMBER

10134170-YXXXLF



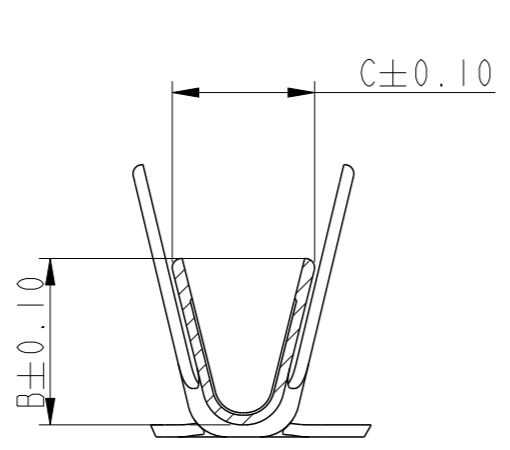
NOTES

- 1- PLATING :
- 1- GOLD FLASH 0.1 μm MIN ON CONTACT AREA
2μm MIN MATTE TIN ON CRIMPING AREA
1.27μm MIN Ni UNDERLAYER
 - 2- FULL TIN : 2μm MIN MATTE TIN OVERALL
 - 3- GOLD 0.38μm MIN ON CONTACT AREA
2μm MIN MATTE TIN ON CRIMPING AREA
1.27μm MIN Ni UNDERLAYER
 - 4- GOLD 0.76μm MIN ON CONTACT AREA
2μm MIN MATTE TIN ON CRIMPING AREA
1.27μm MIN Ni UNDERLAYER
 - 5- PRE-PLATED FULL TIN: 2.54μm MIN MATTE TIN OVER ALL. 1.27μm MIN Ni UNDERLAYER
- 2- MATERIAL
- 2- CHRYSOCAL
 - 3- CUPRONICKEL (High current version)
- 3- APPLICABLE AWG
- 1- AWG #16 : INSULATOR DIAMETER 3.1MM MAX
 - 2- AWG #18-24 : INSULATOR DIAMETER 3.1MM MAX
 - 3- AWG #22-28 : INSULATOR DIAMETER 1.8MM MAX
- 4- LUBRICANT :
- 0- NONE
- 5- PRODUCT SPECIFICATION : GS-12-1181 FOR STD CONNECTORS & GS-12-1333 FOR HCC CONNECTORS

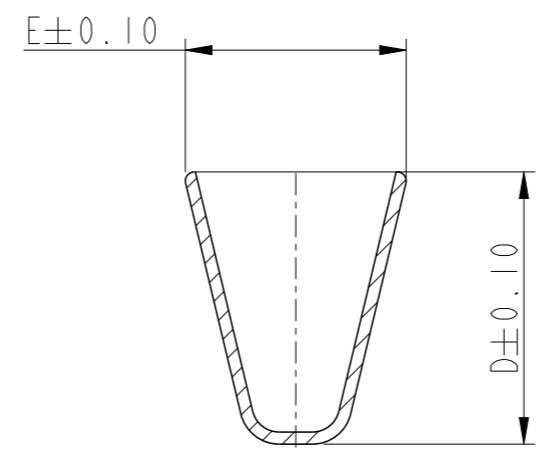


spec ref -		dr	Glass-adm, Mar	2017/07/11	projection	mm	size	A3	scale	8:1	
tolerance std		eng	Paul Mithun	2023/07/13		←→	ecn no		ELX-148311-1		
ISO 406 ISO 1101		chr	-	-			rel level		Released		
TOLERANCES UNLESS OTHERWISE SPECIFIED		appr	Paul Mithun	2023/08/09	product family		Minitek		rel level		
surface	linear	0.X	±0.4	Amphenol FCI	RECEPTACLE CRIMP TERMINAL		dwg no	10134170		rev	B
		0.XX	±0.30		MINITEK POWER 4.2						
ISO 1302	angular	0°	±2°		cat. no.	-	Product - Customer Drw		sheet 1 of 2		

PART NUMBER	DIM A	DIM B	DIM C	DIM D	DIM E	APPLICABLE WIRES
10134170-YX3XLF	1.35	1.70	1.85	2.40	2.40	AWG #22-28
10134170-YX2XLF	1.35	2.35	1.9	4.5	3.65	AWG #18-24
10134170-YX1XLF	1.35	2.75	2.35	4.5	3.65	AWG #16



SECTION B-B
(AWG #16)



SECTION A-A
(AWG #16)

Amphenol
FCi

© 2020 Amphenol Corporation

spec ref	-	dr	Glass-adm, Mar	2017/07/11	projection	mm	size	A3	scale	8:1	
tolerance std	ISO 406 ISO 1101	eng	Paul Mithun	2023/07/13			ecn no	ELX-I-48311-1			
	TOLERANCES UNLESS OTHERWISE SPECIFIED	chr	-	-			product family	Minittek	rel level	Released	
surface	ISO 1302	appr	Paul Mithun	2023/08/09	RECEPTACLE CRIMP TERMINAL		dwg no	10134170		rev	B
	linear				MINITEK POWER 4.2		Product - Customer Drw		sheet 2 of 2		
	angular				cat. no.	-	STATUS: Released		Printed: Aug 10, 2023		

Creo File:ELX-WC-A3C.REV F.2020-12-21