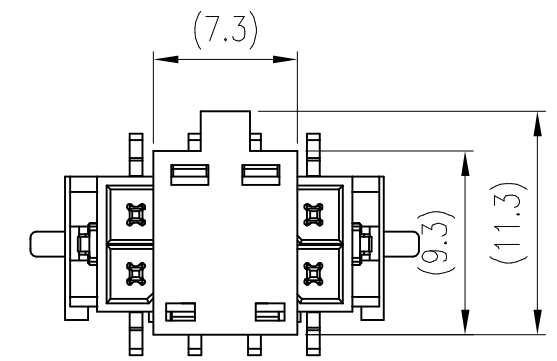
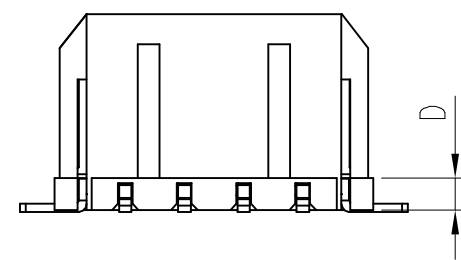
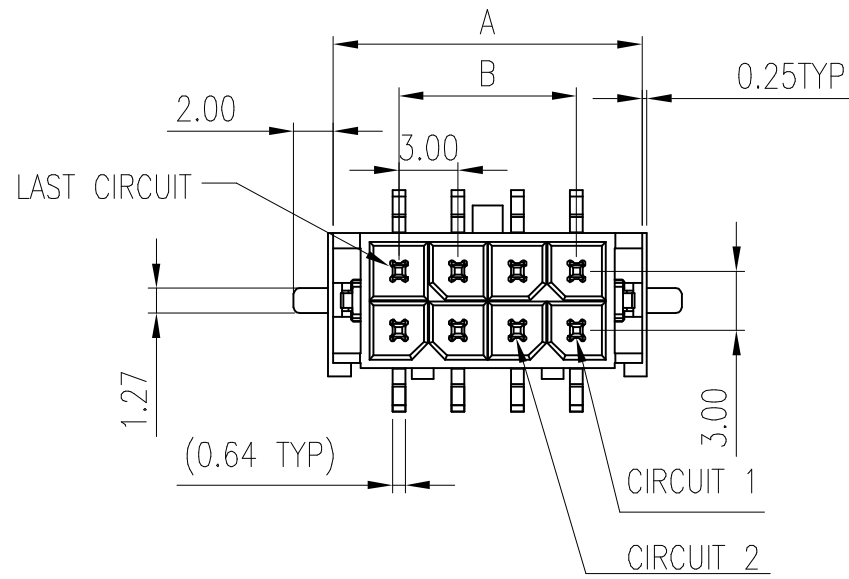


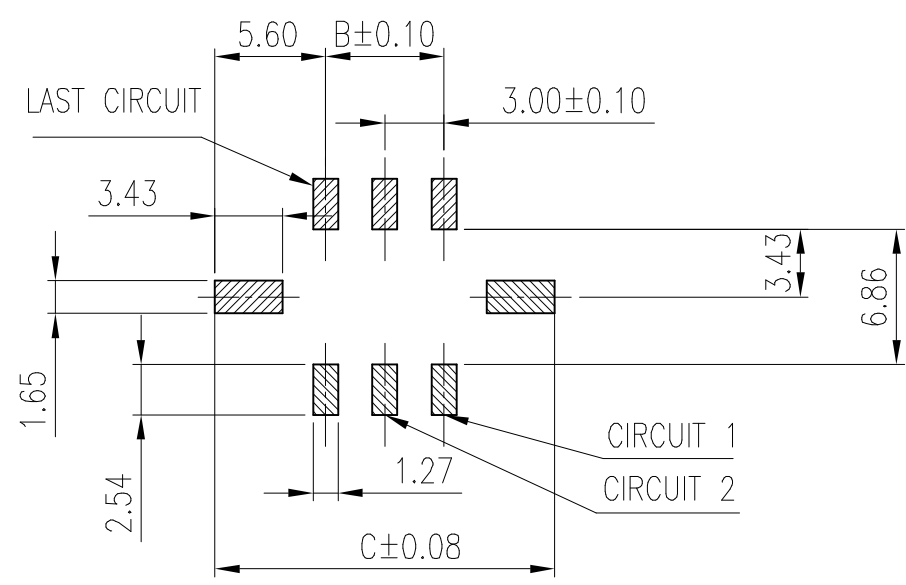
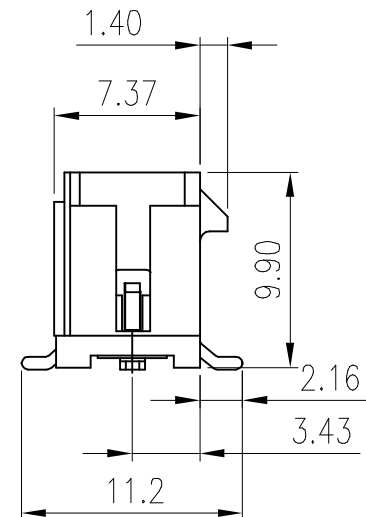
Amphenol FCI

© 2016 AFCl

D



SHOWN WITH DISPOSABLE CAP



RECOMMENDED PCB LAYOUT
GENERAL TOLERANCE: ±0.05

- NOTE:
- MATERIAL:
HOUSING: LCP, UL94V-0, HALOGEN FREE, COLOR: BLACK
CONTACT: COPPER ALLOY.
HOLD DOWN: COPPER ALLOY
 - CONTACT FINISH: NICKEL 50u" Min. UNDERPLATED OVERALL.
OPTIONAL PLATING ON CONTACT AREA, 100u" MIN MATTE TIN ON SOLDER TAIL.
HOLD DOWN: 100u" MIN MATTE TIN OVER 50u" Min. NICKEL
 - REFER GS-20-0399 APPLICATION SPECIFICATION FOR MATING CONNECTOR.
 - PRODUCT SPECIFICATION: GS-12-1177.
 - TAPE & REEL PACKAGE SPECIFICATION: GS-14-2359.
 - APPLICATION SPECIFICATION: GS-20-0399
 - THE HOUSING WILL WITHSTAND EXPOSURE TO 260°C PEAK TEMPERATURE FOR 10 SECONDS IN A REFLOW OVEN.
 - LEAD FREE PRODUCTS MEET EUROPEAN UNION DIRECTIVES AND OTHER COUNTRY REGULATIONS AS DESCRIBED IN GS-47-0004
 - PART NUMBER SCHEME:

10137926-XX X X X LF

POS. CODE: XX X X LF
 02: 2 POS
 04: 4 POS
 S
 24: 24 POS

LEAD FREE

PACKAGE:
 BLANK : TAPE&REEL WITH PICKUP CAP
 1: TAPE&REEL WITHOUT PICKUP CAP
 Q: TAPE&REEL WITH PICKUP CAP
 (CUSTOMER SPECIAL)(FOR 16POS)

- PLATING CODE:
- 100u" Min. MATTE TIN OVERALL
 - GOLD FLASH ON CONTACT AREA, 100u"Min MATTE TIN ON TAIL
 - 15u"Min Au ON CONTACT AREA, 100u"Min MATTE TIN ON TAIL
 - 30u"Min Au ON CONTACT AREA, 100u"Min MATTE TIN ON TAIL
- GLOW WIRE COMPATIBLE & COLOR:
 1: COMPATIBLE, BLACK
 2: NON-COMPATIBLE, BLACK
 3: COMPATIBLE, NATURAL
 4: NON-COMPATIBLE, NATURAL

P/N & DIMENSION TABLE

PART NO	POS	A	B	C	D
10137926-02XXXLF	02	6.65	NA	11.20	6.74
10137926-04XXXLF	04	9.65	3.00	14.20	
10137926-06XXXLF	06	12.65	6.00	17.20	1.60
10137926-08XXXLF	08	15.65	9.00	20.20	
10137926-10XXXLF	10	18.65	12.00	23.20	
10137926-12XXXLF	12	21.65	15.00	26.20	
10137926-14XXXLF	14	24.65	18.00	29.20	
10137926-16XXXLF	16	27.65	21.00	32.20	
10137926-18XXXLF	18	30.65	24.00	35.20	
10137926-20XXXLF	20	33.65	27.00	38.20	
10137926-22XXXLF	22	36.65	30.00	41.20	
10137926-24XXXLF	24	39.65	33.00	44.20	

mat'l. code				surface	tolerance	projection	product family		
				ISO 1302	ISO 406	ISO 1101	MINITEK PWR3.0		
ltr				tolerances unless otherwise specified		mm	title		
A				angles	linear		MINITEK PWR3.0 VT HEADER, DUAL ROW SMT TAILS AND HOLD DOWN		
B						scale N.T.S	sheet 1 of 2		
C							sheet 1 of 2		
D						10137926			
E						A3			
F						Product Customer Drawing			
sheet index		revision sheet		F	F				
				1	2				



Amphenol
FCi

© 2016 AFCI

© 2016 AFCI

1

2 3

4

5

6

A

B

C

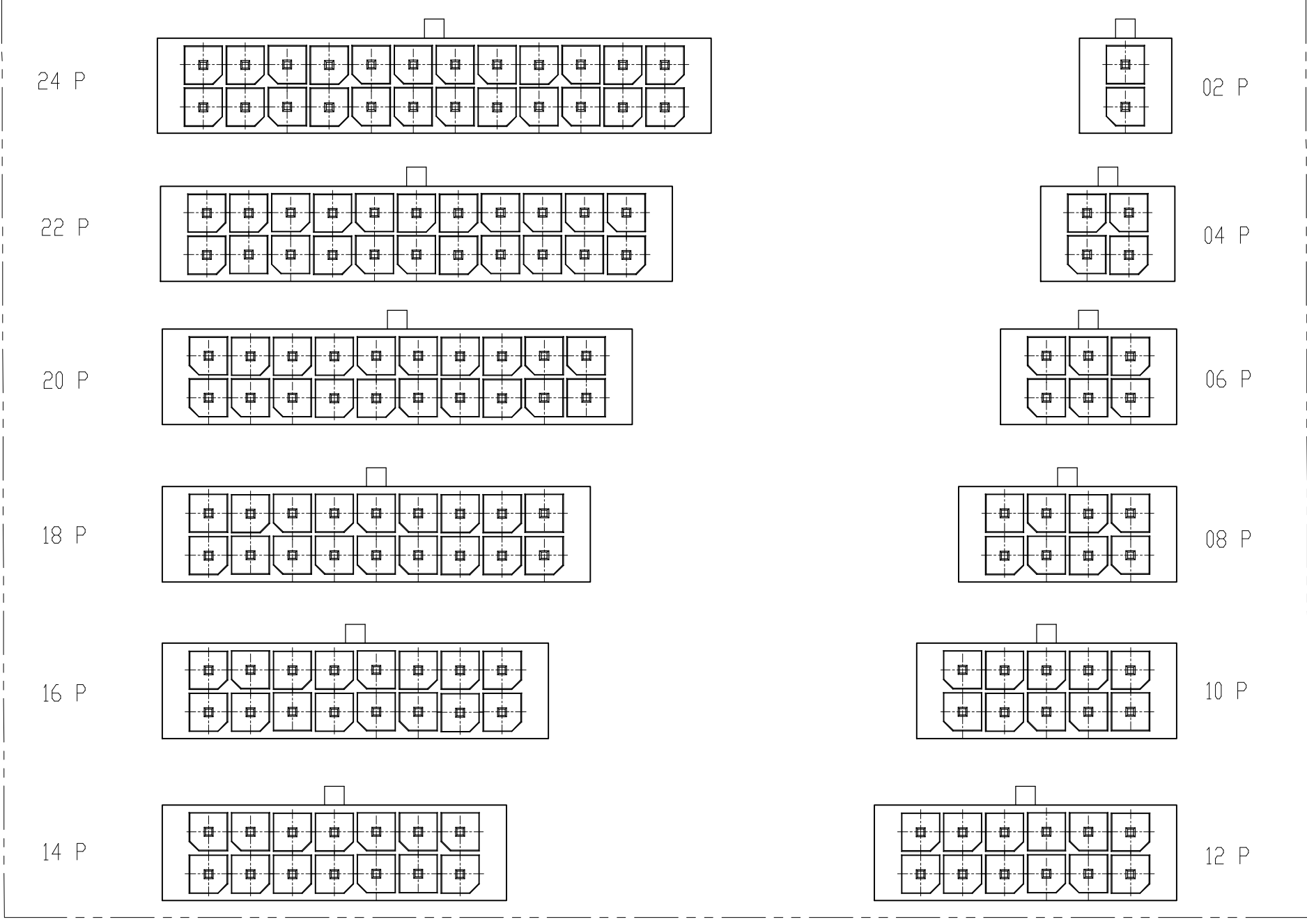
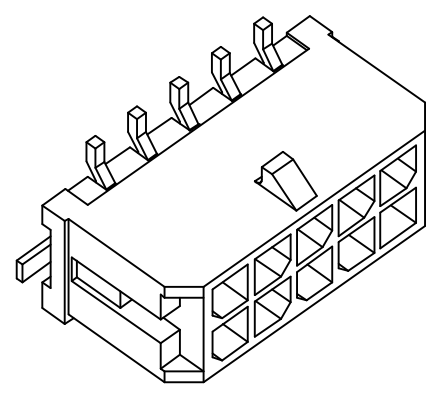
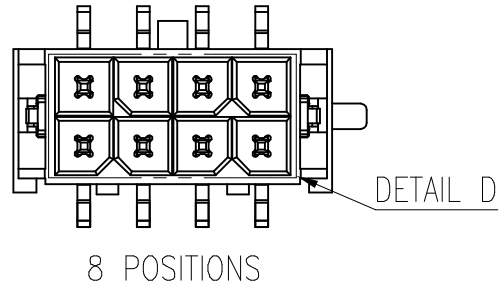
D

A

B

C

D



DETAIL D

mat'l. code		surface		tolerance		projection		product family	
		ISO 1302		ISO 406 ISO 1101				MINITEK PWR3.0	
ltr		ecn no		dr		date		title	
								MINITEK PWR3.0 VT HEADER, DUAL ROW SMT TAILS AND HOLD DOWN	
		angles		linear		mm		dwg no	
		0°±2'				scale N.T.S		sheet 2 of 2	
		dr		KENNY TAI		2015-11-26		size	
		enr		AKHIL RAJAN		2022-01-21		A3	
		chr		MITHUN PAUL		2022-01-21		10137926	
		app		SPK		2022-01-21		type	
		Product		Customer		Drawing			
sheet index		revision		F		F			
		sheet		1		2			

1

2

3

4 PDS: Rev :F

STATUS:Released

Printed: Jun 10, 2022

6