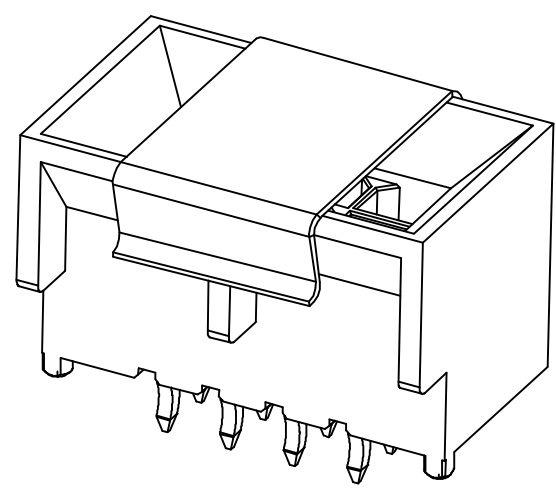
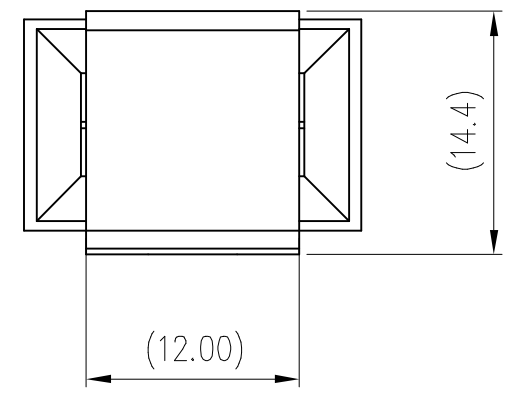
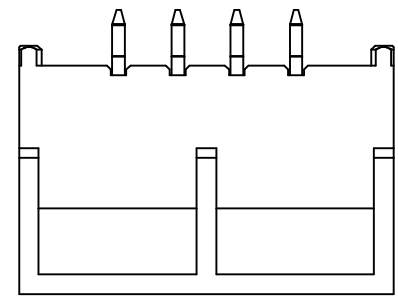
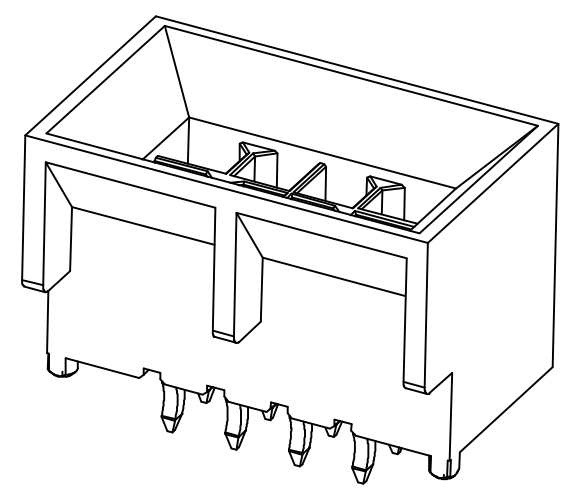


PRODUCT NUMBER  
SEE PART NO. SCHEME

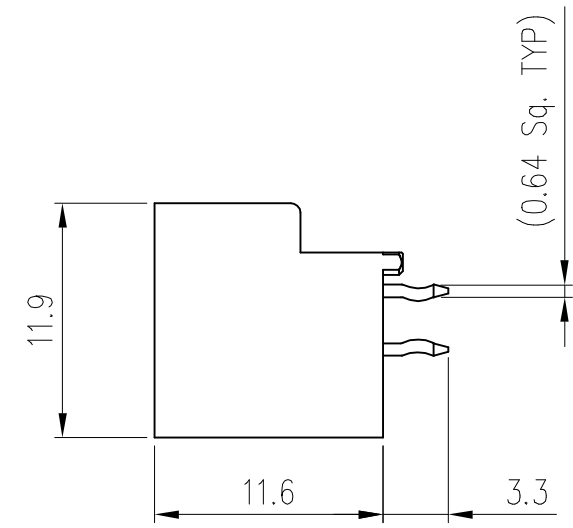
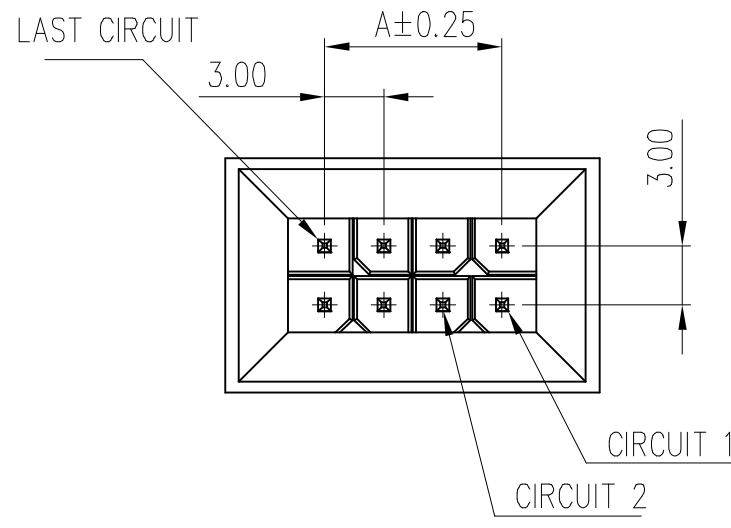
PICKUP CAP DIMENSIONS



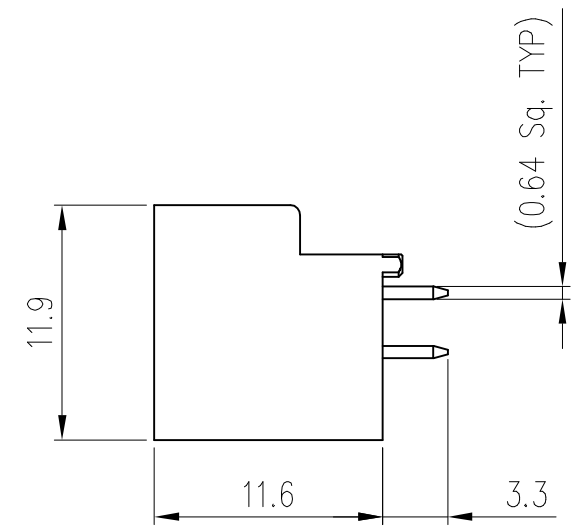
WITH PICKUP CAP



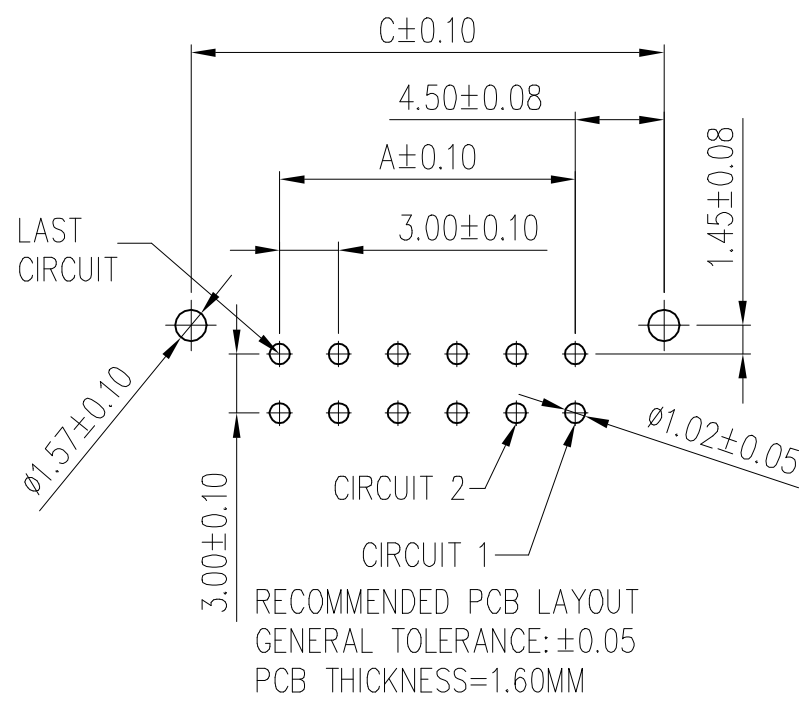
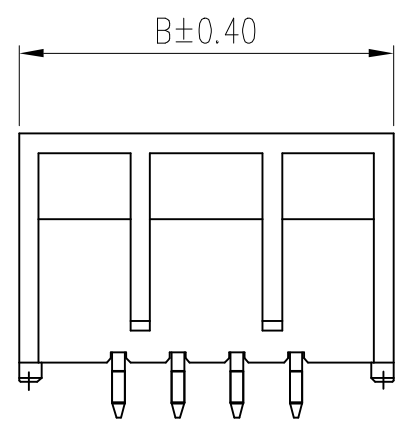
WITHOUT PICKUP CAP



KINK TAIL



STRAIGHT TAIL



RECOMMENDED PCB LAYOUT  
GENERAL TOLERANCE: ±0.05  
PCB THICKNESS=1.60MM

mat'l. code		surface		tolerance		projection		product family	
		ISO 1302		ISO 406 ISO 1101		mm		MINITEK PWR3.0	
ltr		ecn no		dr		date		title	
H		ELX-I-43460		AKHIL		2022-01-21		DUAL ROW BMI VERTICAL MINITEK 3.0 HEADER	
								dwg no	
								sheet 1 of 3	
								size	
								A3	
								type	
								Product Customer Drawing	
sheet index		revision		H		H		H	
		sheet		1		2		3	

Amphenol  
FCi

© 2016 AFci

NOTE:

1. MATERIAL:  
HOUSING: LCP, UL94V-0, HALOGEN FREE, COLOR: BLACK  
CONTACT: COPPER ALLOY.
2. CONTACT FINISH: NICKEL 50u" Min. UNDERPLATED OVERALL.  
OPTIONAL PLATING ON CONTACT AREA, TIN ON SOLDER TAIL.
3. REFER GS-20-0399 APPLICATION SPECIFICATION FOR MATING CONNECTOR .
4. PRODUCT SPECIFICATION: GS-12-1177.
5. PACKAGE SPECIFICATION: GS-14-2359.
6. APPLICATION SPECIFICATION: GS-20-0399
7. THE HOUSING WILL WITHSTAND EXPOSURE TO 260°C PEAK TEMPERATURE FOR 10 SECONDS IN A REFLOW OVEN.
8. THE HOUSING WILL WITHSTAND EXPOSURE TO 260°C PEAK TEMPERATURE FOR 5 SECONDS IN A WAVE SOLDER
9. LEAD FREE PRODUCTS MEET EUROPEAN UNION DIRECTIVES AND OTHER COUNTRY REGULATIONS AS DESCRIBED IN GS-47-0004
10. YET TO BE TOOLED UP
11. PART NUMBER SCHEME:

10138980- XX X X X X LF

POS. CODE:

04: 4 POS

06: 6 POS

5

24: 24 POS

S1: SEE SHEET-3

S2: SEE SHEET-3

LEAD FREE

OPTIONAL PACKAEGS:

BLANK: TRAY

C: TAPE&REEL W/O CAP (TYPE-A)

T: TAPE&REEL W/O CAP (TYPE-B)

A: TAPE&REEL WITH CAP (TYPE-A)(SEE NOTE-10)

B: TAPE&REEL WITH CAP (TYPE-B)(SEE NOTE-10)

TAIL OPTION:

BLANK: KINK

S: STRAIGHT

GLOW WIRE COMPATIBLE:

1: COMPATIBLE

2: NON-COMPATIBLE

PLATING CODE:

1: 100u" Min. MATTE TIN OVERALL

2: GOLD FLASH OVERALL

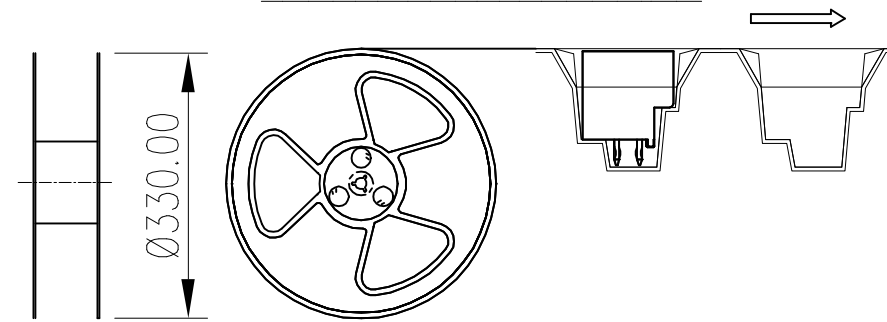
3: 15u"Min Au ON CONTACT AREA,

100u"Min MATTE TIN ON TAIL

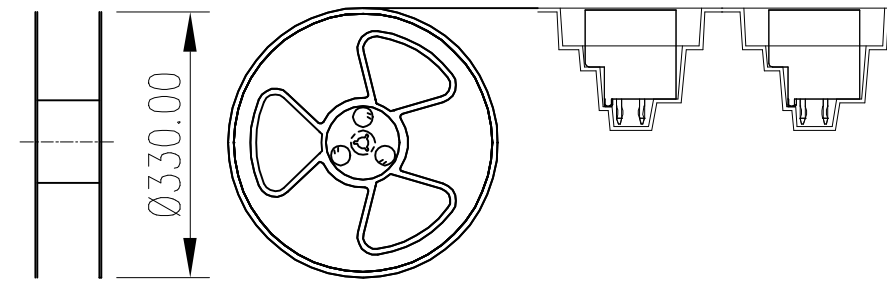
4: 30u"Min Au ON CONTACT AREA,

100u"Min MATTE TIN ON TAIL

TAPE & REEL PACKING



TYPE A



TYPE B

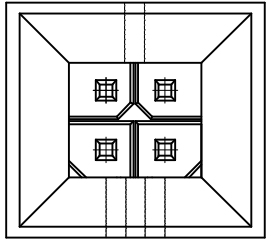
PART NUMBER AND DIMENSIONS:

PART NO.	POS	A	B	C
10138980-04XXXXLF	4	3.00	13.00	12.0
10138980-06XXXXLF	6	6.00	16.00	15.0
10138980-08XXXXLF	8	9.00	19.00	18.0
10138980-10XXXXLF	10	12.00	22.00	21.0
10138980-12XXXXLF	12	15.00	25.00	24.0
10138980-14XXXXLF	14	18.00	28.00	27.0
10138980-16XXXXLF	16	21.00	31.00	30.0
10138980-18XXXXLF	18	24.00	34.00	33.0
10138980-20XXXXLF	20	27.00	37.00	36.0
10138980-22XXXXLF	22	30.00	40.00	39.0
10138980-24XXXXLF	24	33.00	43.00	42.0

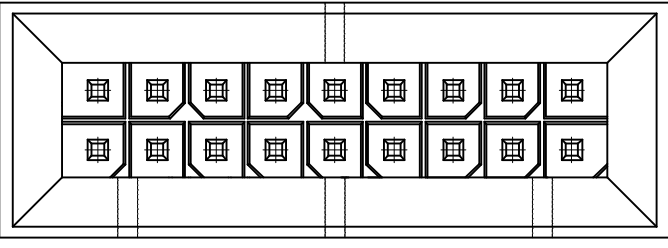
mat'l. code		surface		tolerance		projection		product family	
		ISO 1302		ISO 406 ISO 1101		mm		MINITEK PWR3.0	
ltr		ecn no		dr		date		title	
								DUAL ROW BMI VERTICAL MINITEK 3.0 HEADER	
				angles		linear		scale	
								N.T.S	
				dr		KENNY TAI		2016-03-03	
				engr		AKHIL RAJAN		2022-01-21	
				chr		MITHUN PAUL		2022-01-21	
				appd		SPK		2022-01-21	
sheet index		revision sheet		H		H		H	
		1		2		3			
								dwg no	
								sheet 2 of 3	
								size	
								A3	
								type	
								Product Customer Drawing	



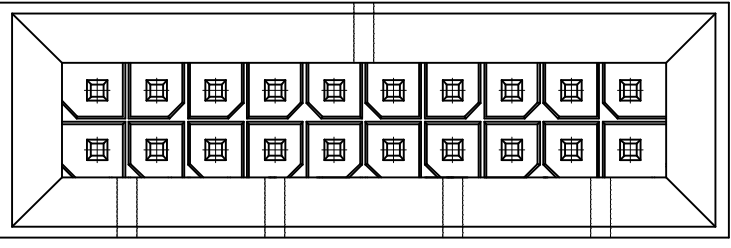
© 2016 AFCI



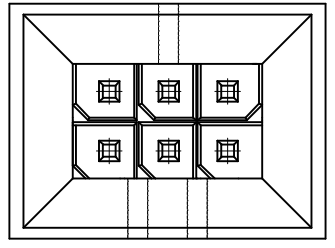
2\*2P



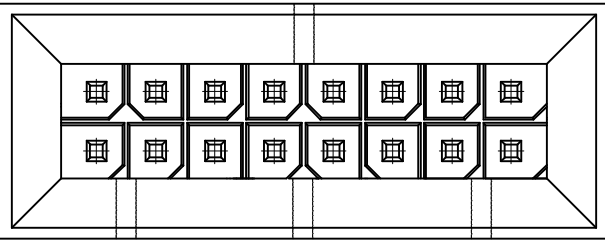
2\*9P



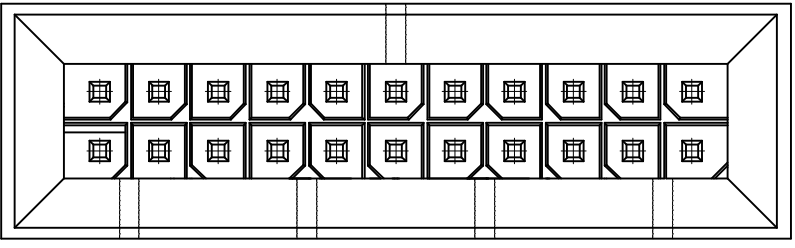
2\*10P



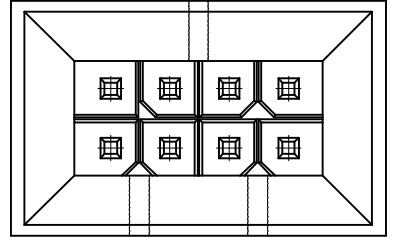
2\*3P



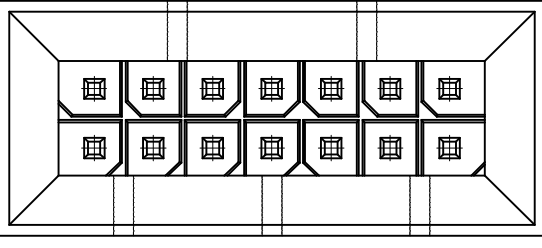
2\*8P



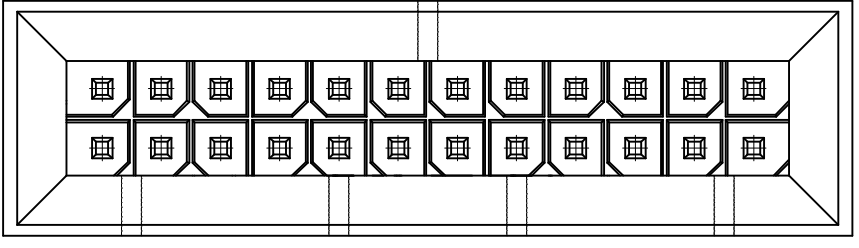
2\*11P



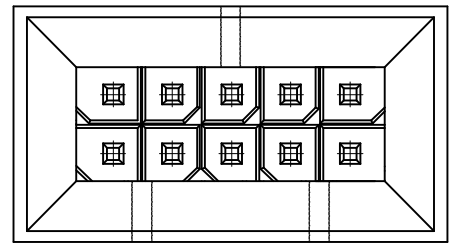
2\*4P



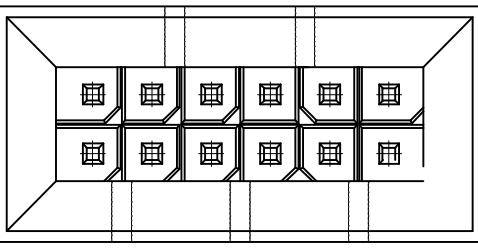
2\*7P



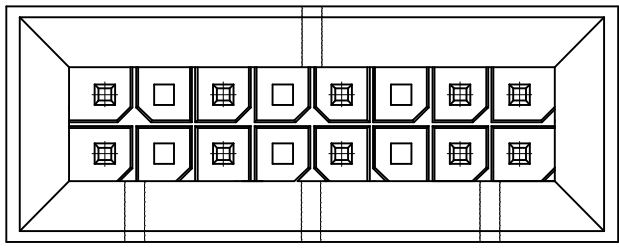
2\*12P



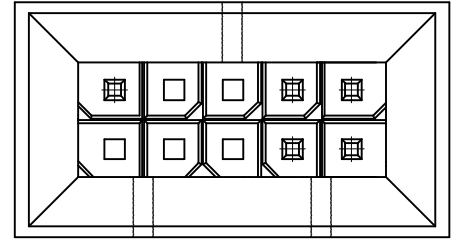
2\*5P



2\*6P



S1: CIRCUIT 3,5,7,11,13,15 REMOVED



S2: CIRCUIT 3,4,5,8,9 REMOVED

mat'l. code		surface		tolerance		projection		product family	
		ISO 1302		ISO 406 ISO 1101				MINITEK PWR3.0	
ltr		ecn no		dr		date		title	
								DUAL ROW BMI VERTICAL MINITEK 3.0 HEADER	
				angles		linear			
								scale N.T.S	
				dr		KENNY TAI		2016-03-03	
				enr		AKHIL RAJAN		2022-01-21	
				chr		MITHUN PAUL		2022-01-21	
				app		SPK		2022-01-21	
sheet index		revision sheet		H		H		H	
		1		2		3			
								dwg no 10138980 sheet 3 of 3 size A3 type Product Customer Drawing	