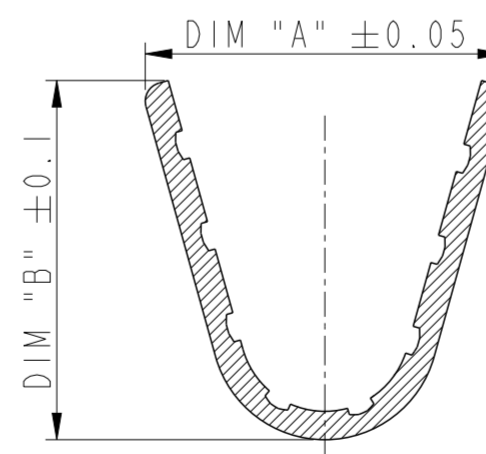
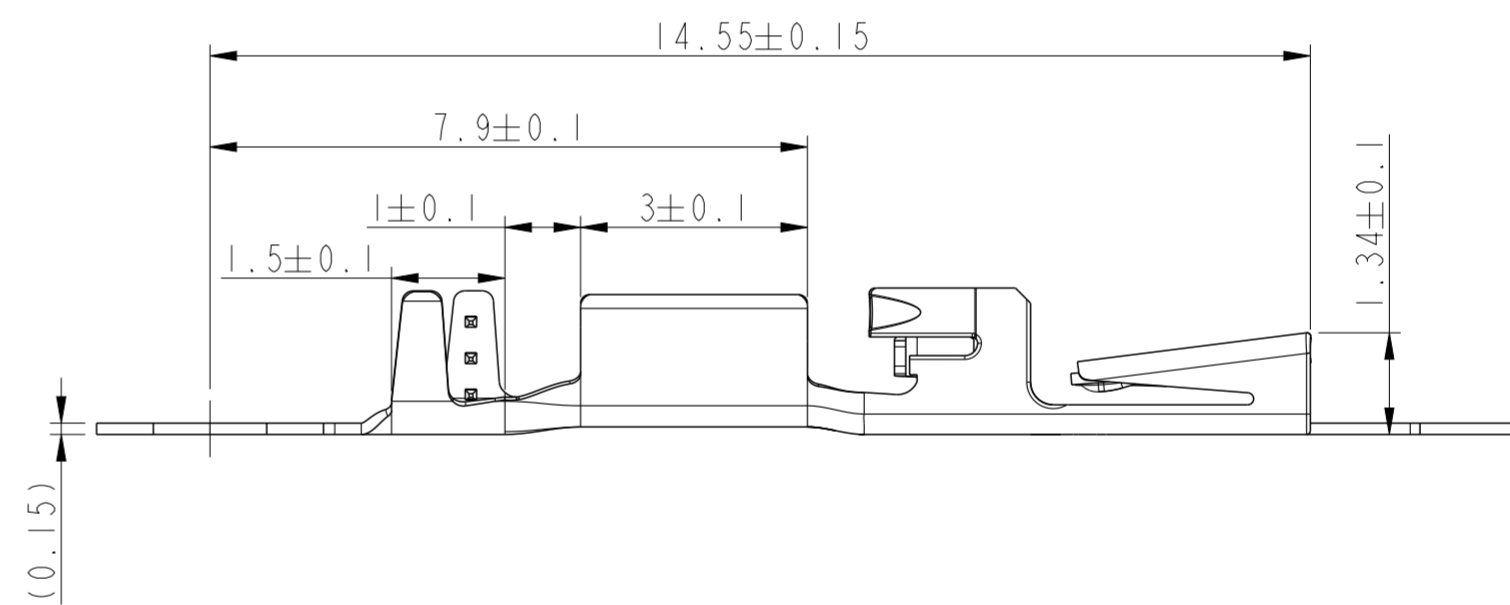
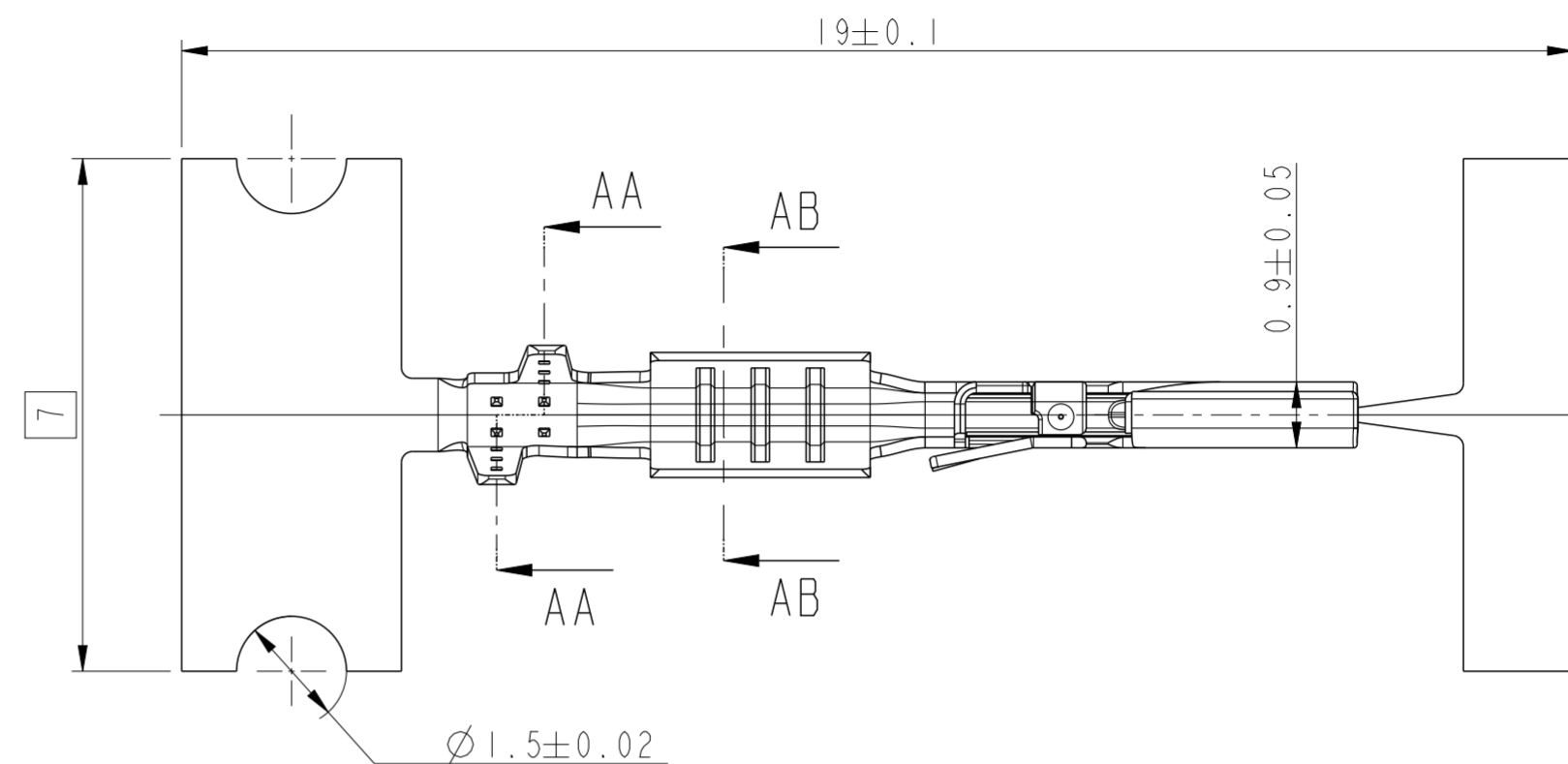


PRODUCT DESCRIPTION CODE :

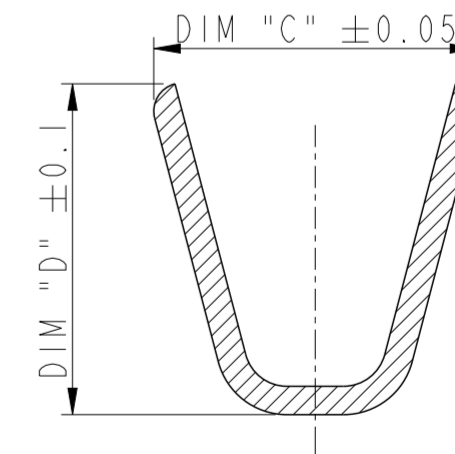
10141272-111 LF

- RoHS COMPLIANT, LEAD FREE
- UNREELING DIRECTION, SEE NOTE 6 :
BLANK = DIRECTION 1 (ON REQUEST)
"A" = DIRECTION 2 (STANDARD)
- FOR CUSTOMER CODE :
BLANK = GENERAL USE
ALPHABETIC CHARACTER = CUSTOMER DEDICATED PART
- APPLICABLE AWG, SEE NOTE 1
- PLATING :
1 = 3µm MIN MATTE TIN (CONTACT AREA) - Ni UNDERLAYER
2 = 0.8µm MIN PRE-PLATED HOT-DIP TIN
3 = 0.76µm MIN GOLD (CONTACT AREA) - Ni UNDERLAYER

PRODUCT NO	WIRE SIZE	DIM "A"	DIM "B"	DIM "C"	DIM "D"
10141272-111LF	AWG 22	1.9	1.9	1.7	1.75
10141272-112LF	AWG 26-28	1.9	1.8	1.6	1.25
10141272-113LF	AWG 24	1.9	1.9	1.7	1.55



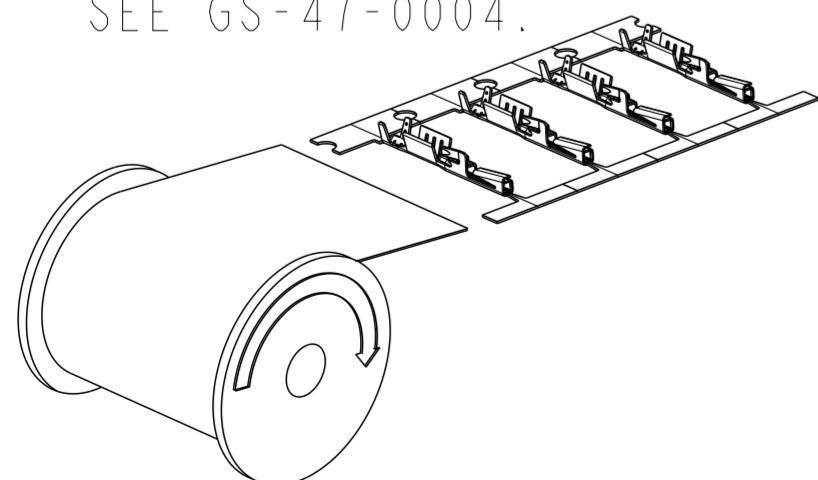
SECTION AA-AA
SCALE 25:1



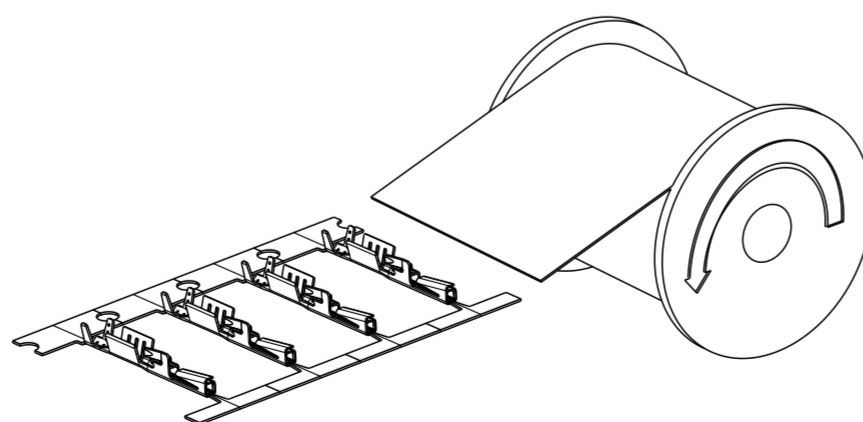
SECTION AB-AB
SCALE 25:1

NOTES

- 1 - APPLICABLE AWG
1- AWG #22
2- AWG #26-28
3- AWG #24
- 2 - PRODUCT SPECIFICATION : GS-12-1422
- 3 - APPLICATION SPECIFICATION AS PER GS-20-0513
- 4 - PACKAGING SPECIFICATION : GS-14-2790
- 5 - PACKAGING : 15.000 PCS/REEL
- 6 - UNREELING DIRECTION :
-DIRECTION 1 FOR PN FINISHING BY -LF
-DIRECTION 2 FOR PN FINISHING BY -ALF (STANDARD DIRECTION)
- 7 - RoHS COMPATIBLE PRODUCT SPECIFICATIONS
a - LABELLING :
MEETS PACKAGING SPECS AS PER GS-14-920
b - LEGAL STATEMENT :
SEE GS-47-0004.

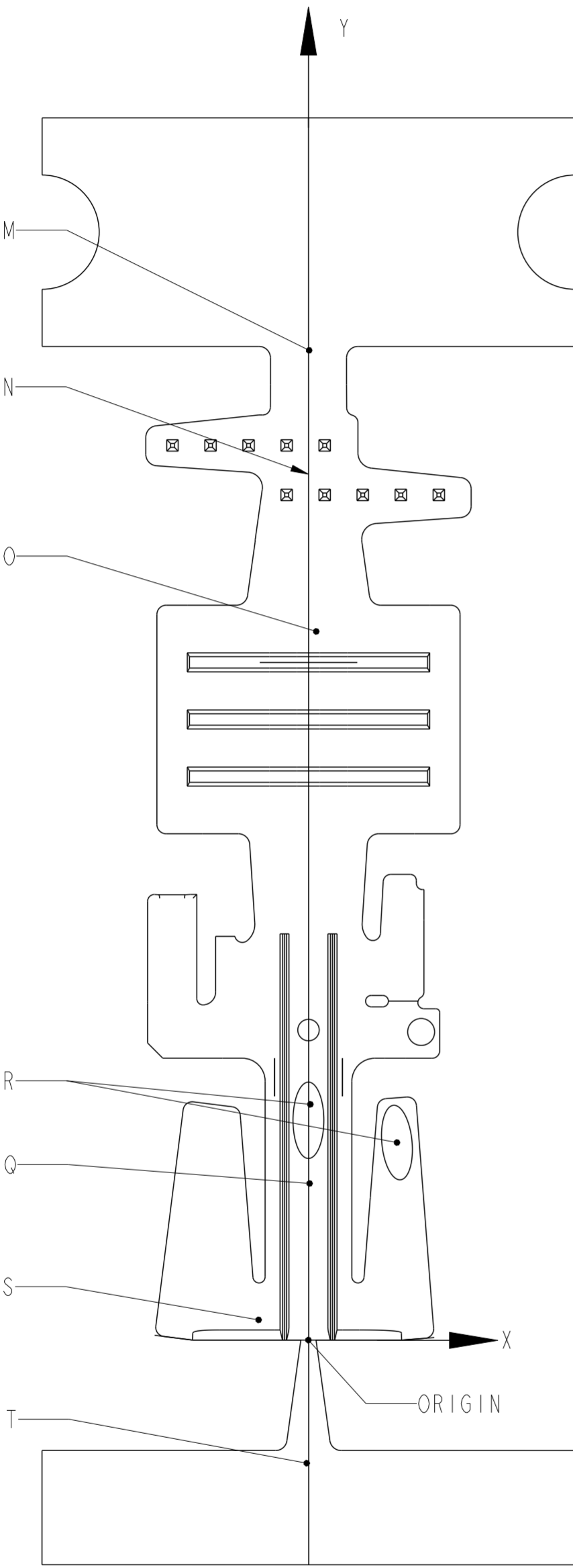


UNREELING DIRECTION 1 (ON REQUEST)



UNREELING DIRECTION 2 (STANDARD)

spec ref	GS-12-1422	dr	Sawanth, Ambaa	2017/07/06	projection	mm	size	A2	scale	10:1
tolerance std	ISO 406 ISO 1101	eng	Canque, Vincen	2024/08/03			ecn no	-		
TOLERANCES UNLESS OTHERWISE SPECIFIED		chr	-	rel level			Released			
surface	linear	0.X	±0.1		product family		-	cat. no.	Product - Customer Drw	sheet 1 of 2
		0.XX	±0.05		RECEPTACLE TERMINAL		dwg no	10141272	rev	F
	angular	0.XXX	±		MICROSPACE					
		0	±2°	-						



PLATING CODE (EXCEPT PREPLATED) 10141272-YOXL (MADE FROM 10141272-00X)		
UNDERLAYER FOR ALL PLATED VERSIONS	END LAYER FOR TIN PLATED VERSION (-10XL)	END LAYER FOR GOLD PLATED VERSION (-30XL)
Nickel presence (M)	Tin absence (M)	Tin presence (M)
0.7-1.7µm Ni (N)	Tin presence (N)	
0.7-1.7µm Ni (O)	3-6µm Tin (O)	
1.27-2.5µm Ni (R1 & R2)	3-6µm Tin (R1 & R2)	0.76µm min Au (R1 & R2)
1.27-2.5µm Ni (Q & S)	3-6µm Tin (Q & S)	
1.27-2.5µm Ni (T)	1.5-3.5µm Tin (T)	Tin / Gold absence (S & T)

PLATING THICKNESS MEASURING POINTS		
	X	Y
M - Tin version	0	15
M - Gold version	0	13.05
N	-0.4	11.45
O	0	9.35
Q	0	2.2
R1	0	3.05
R2	1.05	2.75
S	-0.5	0.45
T	0	-2.25

Amphenol FCI

© 2020 Amphenol Corporation

spec ref	GS-12-1422	dr	Sawarath, Ambaa	2017/07/06	projection	mm	size	A2	scale	3:1
tolerance std	ISO 406 ISO 1101	eng	Canque, Vincen	2024/08/03			ecn no	-		
TOLERANCES UNLESS OTHERWISE SPECIFIED		chr	-	-			rel level	Released		
surface	ISO 1302	appr	-	-	product family	-	rel level	Released		
	linear	0.X	±0.1		title		RECEPTACLE TERMINAL MICROSPACE	dwg no 10141272	rev F	
		0.XX	±0.05		cat. no.	-				
	angular	0°	±2°		Product - Customer Drw					sheet 2 of 2

PDS: Rev :F

STATUS:Released

Printed: Aug 06, 2024