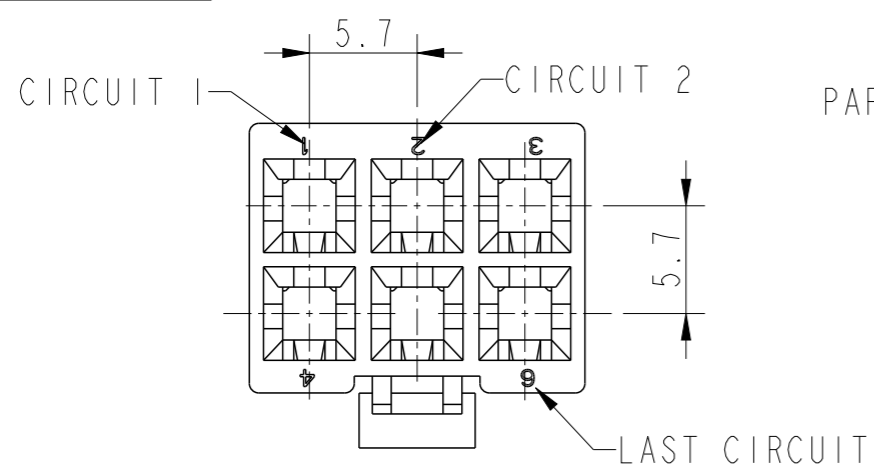
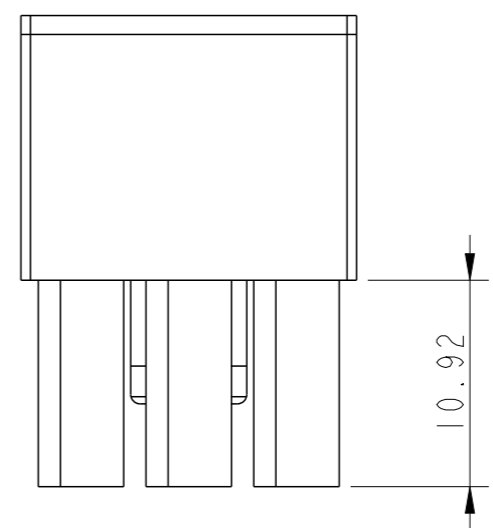
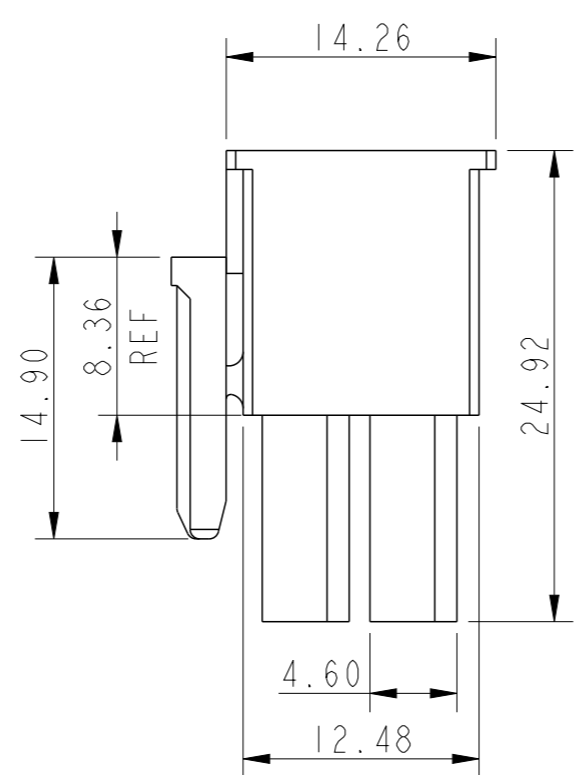
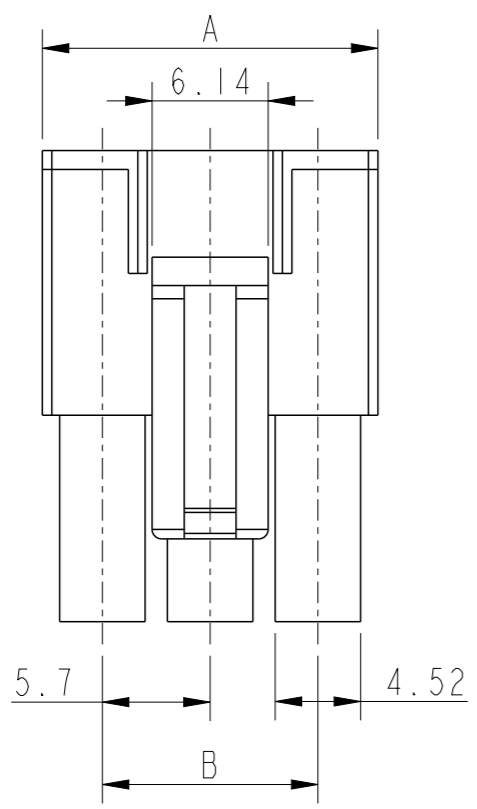
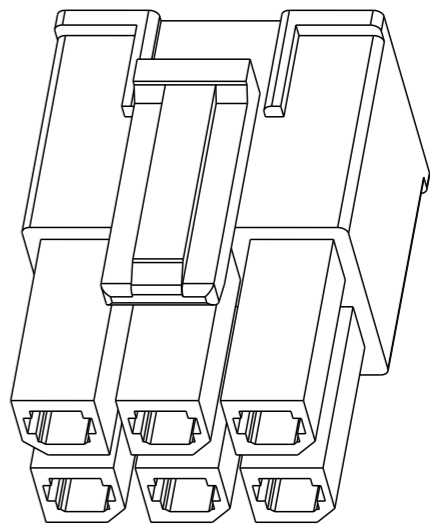


PART NUMBER  
10142707-XXLF

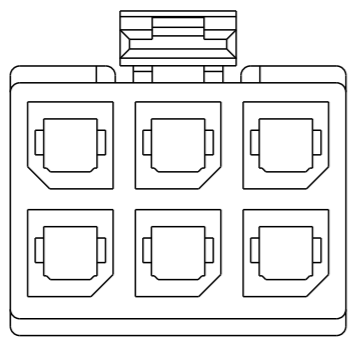


PART NUMBER:  
10142707-XX X LF  
COLOR:  
BLANK: BLACK  
N: NATURAL  
PIN COUNT:  
02~12PIN

PIN	DIM A	DIM B
02	8.35	-
04	12.05	5.70
06	17.75	11.40
08	23.45	17.10
10	29.15	22.80
12	34.85	28.50



- NOTES:
1. MATERIAL: NYLON, UL94V-2, HALOGEN FREE, GLOW WIRE COMPATIBLE.
  2. RoHS COMPLIANT.
  3. REFER GS-20-0687 APPLICATION SPECIFICATION FOR MATING CONNECTOR.
  4. PRODUCT SPECIFICATION : GS-12-1405.
  5. PACKAGE SPECIFICATION : GS-14-2595.
  6. APPLICATION SPECIFICATION : GS-20-0687
  7. THIS LF PRODUCT MEETS EUROPEAN UNION DIRECTIVES AND OTHER COUNTRY REGULATIONS AS DESCRIBED IN GS-47-0004.



spec ref	dr	2017/02/10	projection	size	A3	scale	5:2
tolerance std	eng	2022/09/14		mm	ecn no	ELX-I-45110-1	rel level
ISO 406 ISO 1101	chr	-		product family			
surface ISO 1302	linear	0.X	±0.30		title DUAL ROW RECEPTACLE HOUSING MINITEK POWER 5.7	dwg no 10142707	rev C
		0.XX	±0.20				
		0.XXX	±0.10				
	angular	0°	±2°	cat. no.	Product - Customer Drw	sheet 1 of 2	

Amphenol  
FCi

© 2020 Amphenol Corporation

1

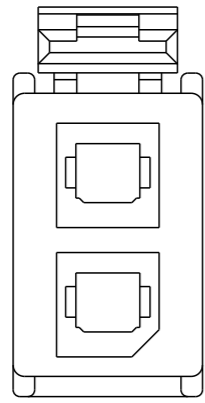
2

3

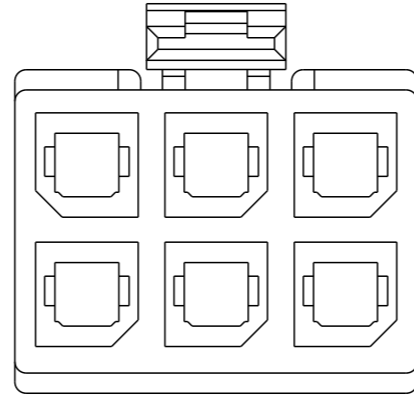
4

A

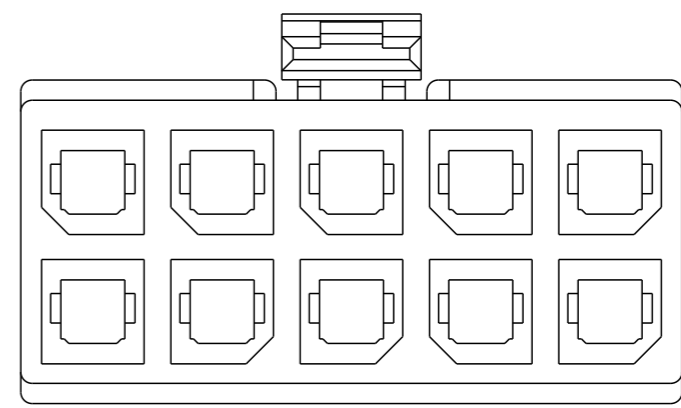
A



02P



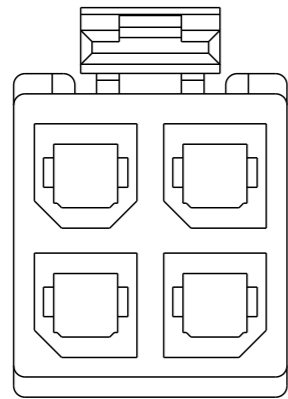
06P



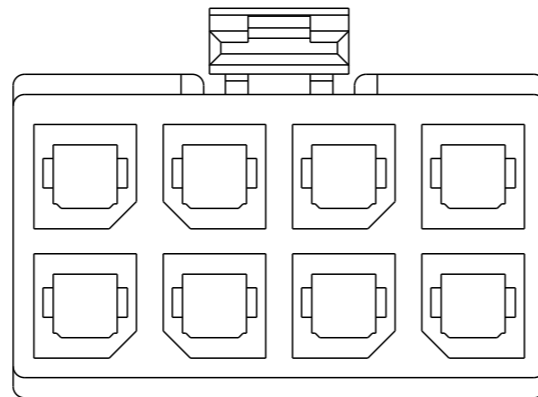
10P

B

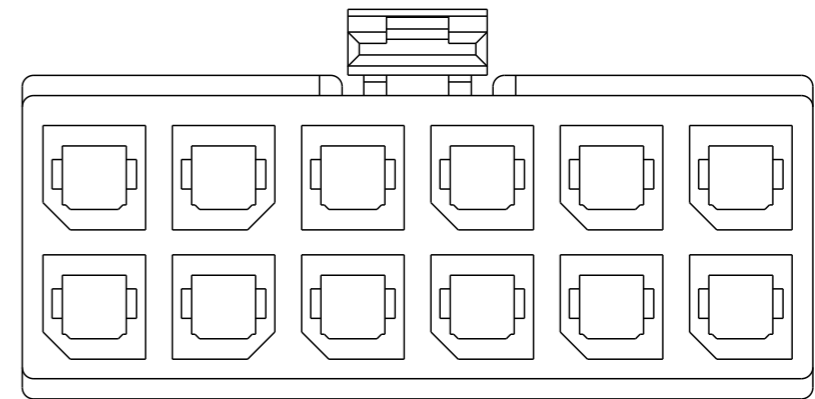
B



04P



08P



12P

C

C

D

D

spec ref		dr	Tony Leng	2017/02/10	projection 	mm ←→	size	A3	scale	5:2	
tolerance std		eng	Paul Mithun	2022/09/14			ecn no	ELX-I-45110-1			
ISO 406 ISO 1101		chr	-	-			rel level	Released			
TOLERANCES UNLESS OTHERWISE SPECIFIED		appr	Kuriakose, San	2022/09/30	product family	MINITEK POWER	dwg no		10142707	rev	C
surface	ISO 1302	linear	0.X	±0.30	DUAL ROW RECEPTACLE HOUSING		cat. no.		Product - Customer Drw	sheet 2 of 2	
			0.XX	±0.20	MINITEK POWER 5.7		STATUS:Released		Printed: Sep 30, 2022		
			0.XXX	±0.10			PDS: Rev :C				
		angular	0°	±2°			STATUS:Released				

1

2

3

4