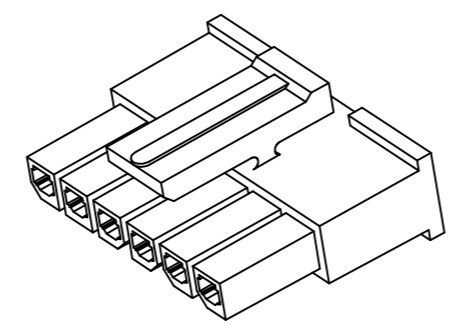
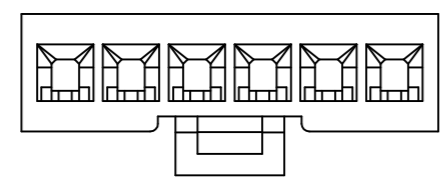
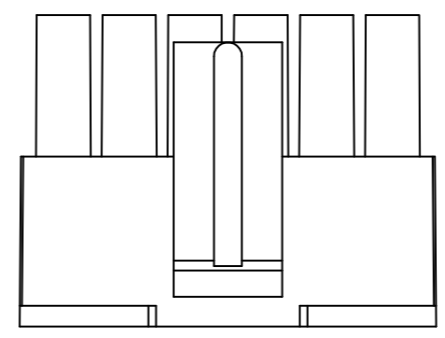
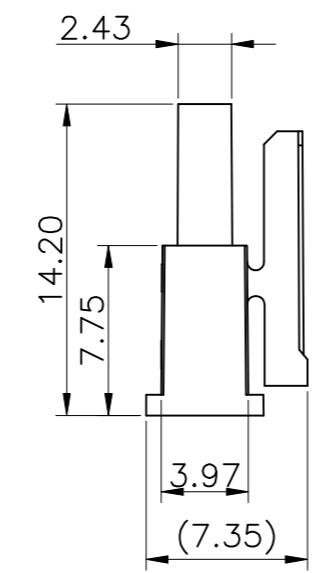
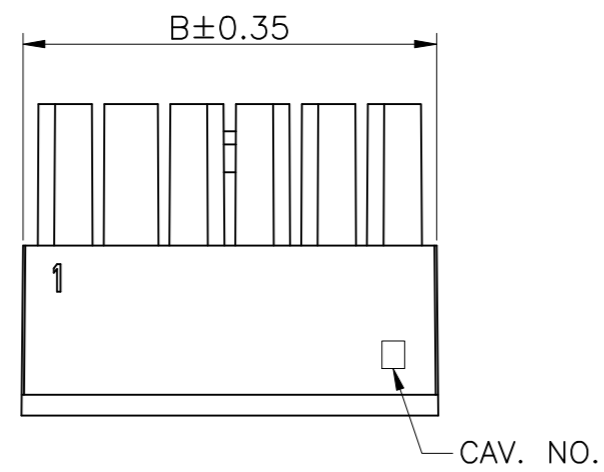
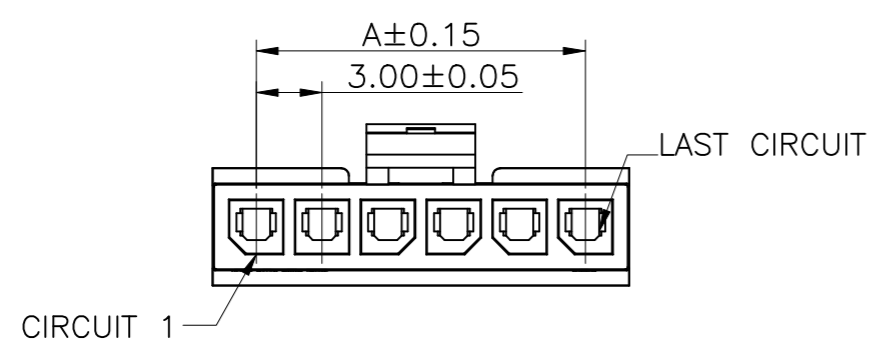


PRODUCT NUMBER  
SEE PART NO. TABLE



- NOTE:
- MATERIAL:  
HOUSING: NYLON 66, HALOGEN FREE  
UL94V-0, COLOR: BLACK
  - REFER GS-20-0399 APPLICATION SPECIFICATION FOR MATING CONNECTOR.
  - PRODUCT SPECIFICATION: GS-12-1291.
  - PACKAGE SPECIFICATION: GS-14-2419 (BULK PACKED)
  - APPLICATION SPECIFICATION: GS-20-0399.
  - LEAD FREE PRODUCTS MEET EUROPEAN UNION DIRECTIVES AND OTHER COUNTRY REGULATIONS AS DESCRIBED IN GS-47-0004
  - PART NUMBER SCHEME:  
10142744-XX LF

POS. CODE: — LEAD FREE  
02: 2 POS.  
03: 3 POS.  
06: 6 POS.

DIMENSIONAL & PART NO. TABLE:

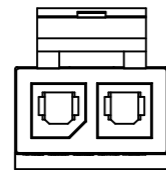
PART NO.	POS	A	B
10142744-02LF	2	6.85	6.85
10142744-03LF	3	6.0	9.85
10142744-04LF	4	9.0	12.85
10142744-05LF	5	12.0	15.85
10142744-06LF	6	15.0	18.85

mat'l. code				surface <input checked="" type="checkbox"/> ISO 1302 <input checked="" type="checkbox"/> ISO 406 <input type="checkbox"/> ISO 1101		tolerance		projection		product family					
ltr				ecn no		dr		date		tolerances unless otherwise specified		title		MINITEK PWR3.0 HCC	
A				TONY		2017-02-13		angles		linear		mm		MINITEK PWR3.0 REC. HSG	
B				ELX-I-43460		AKHIL		2022-01-21		0°±3'		scale		S/R HIGH CURRENT	
C				ELX-I-50412		VISHNU		2024-01-22		.0±.50		N.T.S		sheet 1 of 2 size	
										.00±.30		Amphenol FCI		10142744 A3	
										.000±.20		dwg no		Product Customer Drawing	
												sheet index		revision sheet	
												1		2	

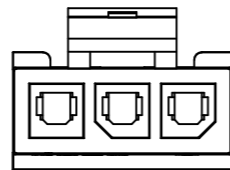
Amphenol FCI

© 2016 AFCl

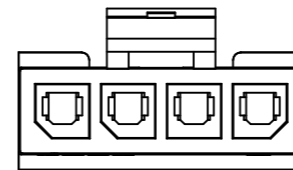
2 POS.



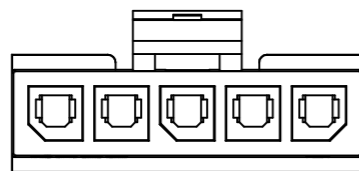
3 POS.



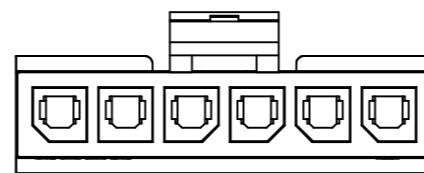
4 POS.



5 POS.



6 POS.



Amphenol FCI

© 2016 AFCI

mat'l. code		surface		tolerance		projection		product family	
		ISO 1302 ✓		ISO 406 ISO 1101				MINITEK PWR3.0 HCC	
ltr		ecn no		dr		date		title	
								MINITEK PWR3.0 REC. HSG	
								S/R HIGH CURRENT	
								dwg no	
								sheet 2 of 2	
								size	
								A3	
								type	
								Product Customer Drawing	
sheet index		revision		C		C			
		sheet		1		2			