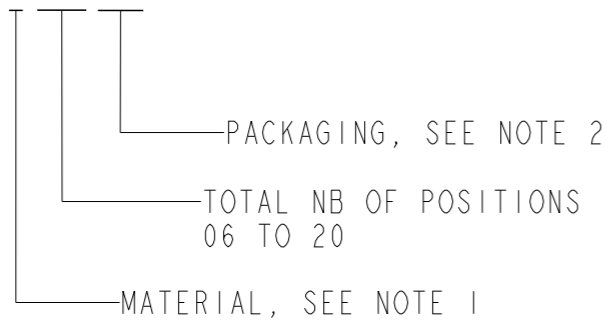


PRODUCT NUMBER:

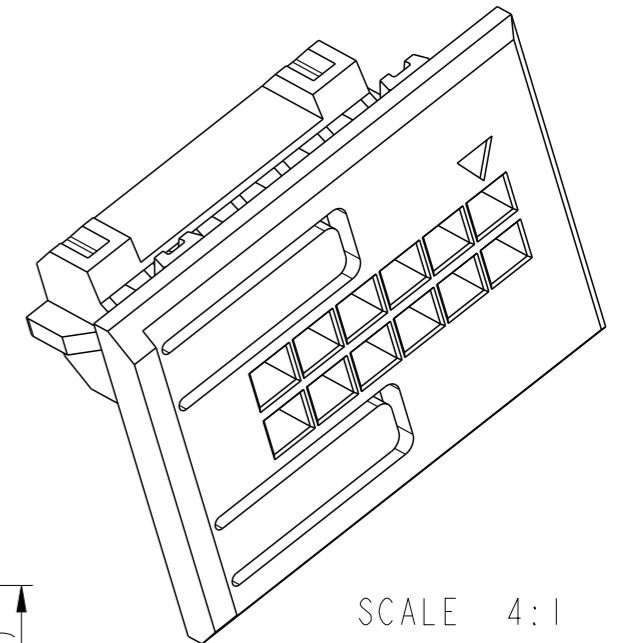
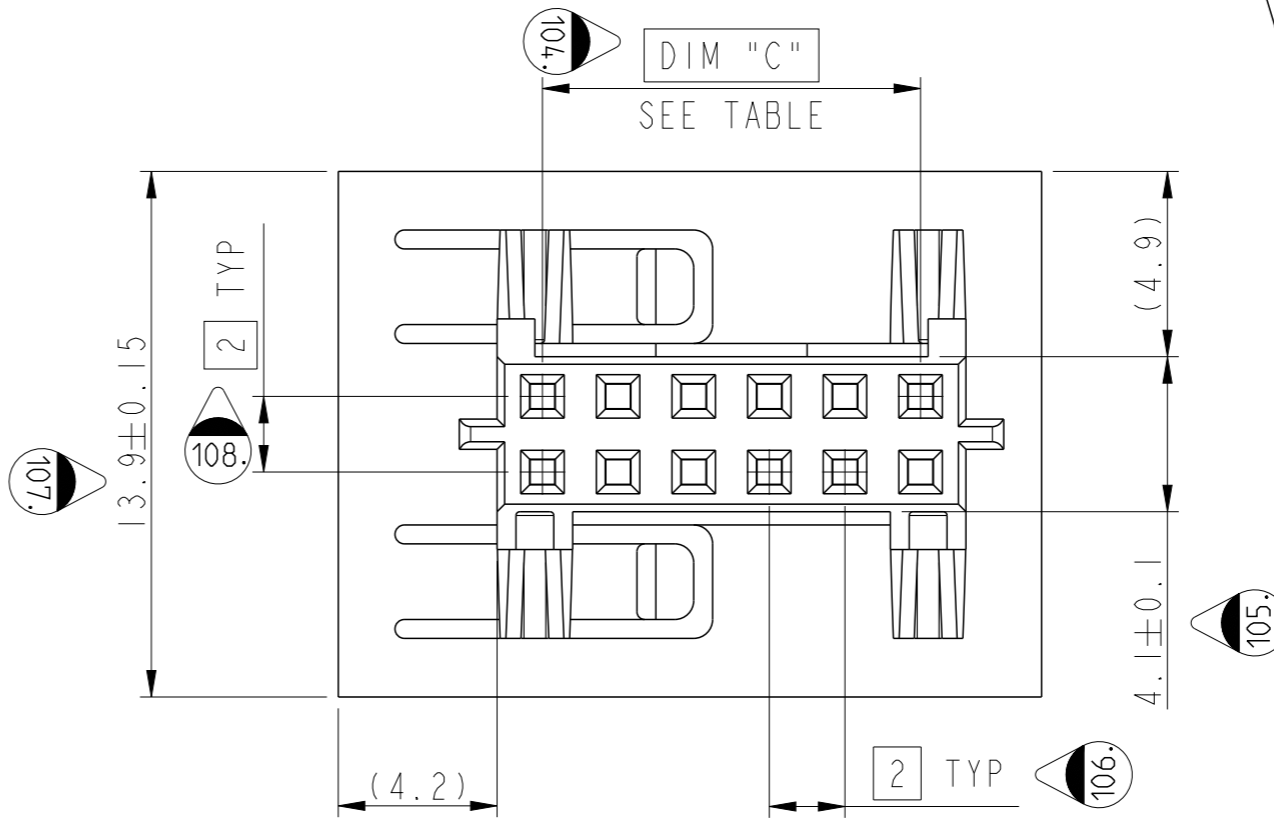
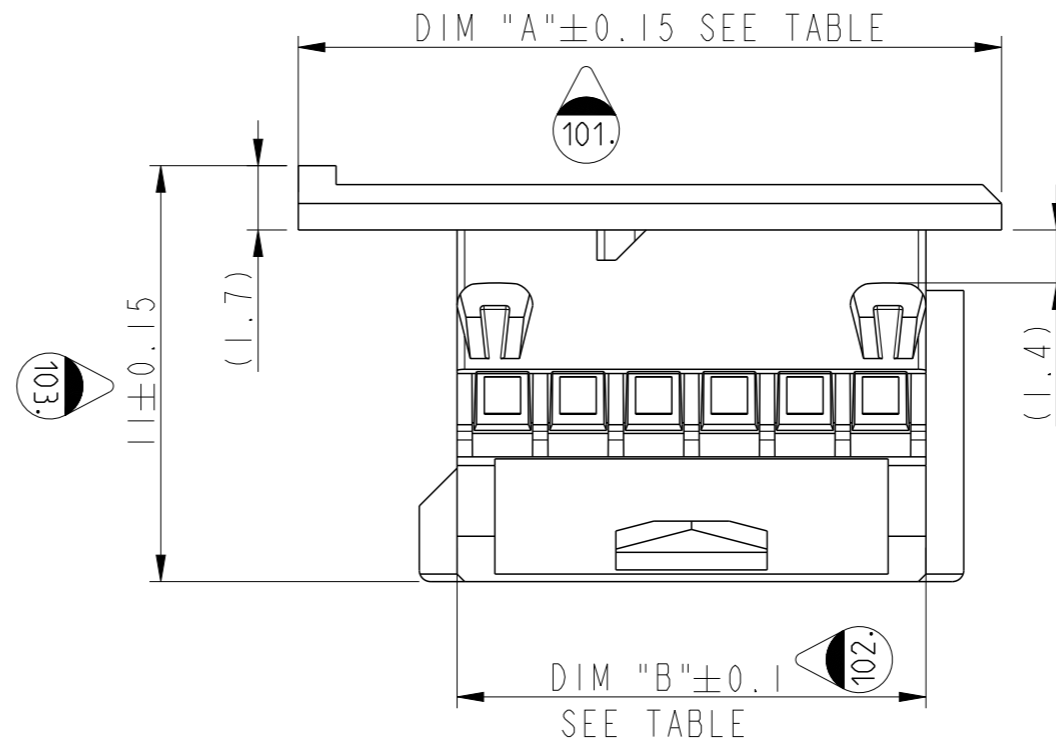
10148136-0XX LF



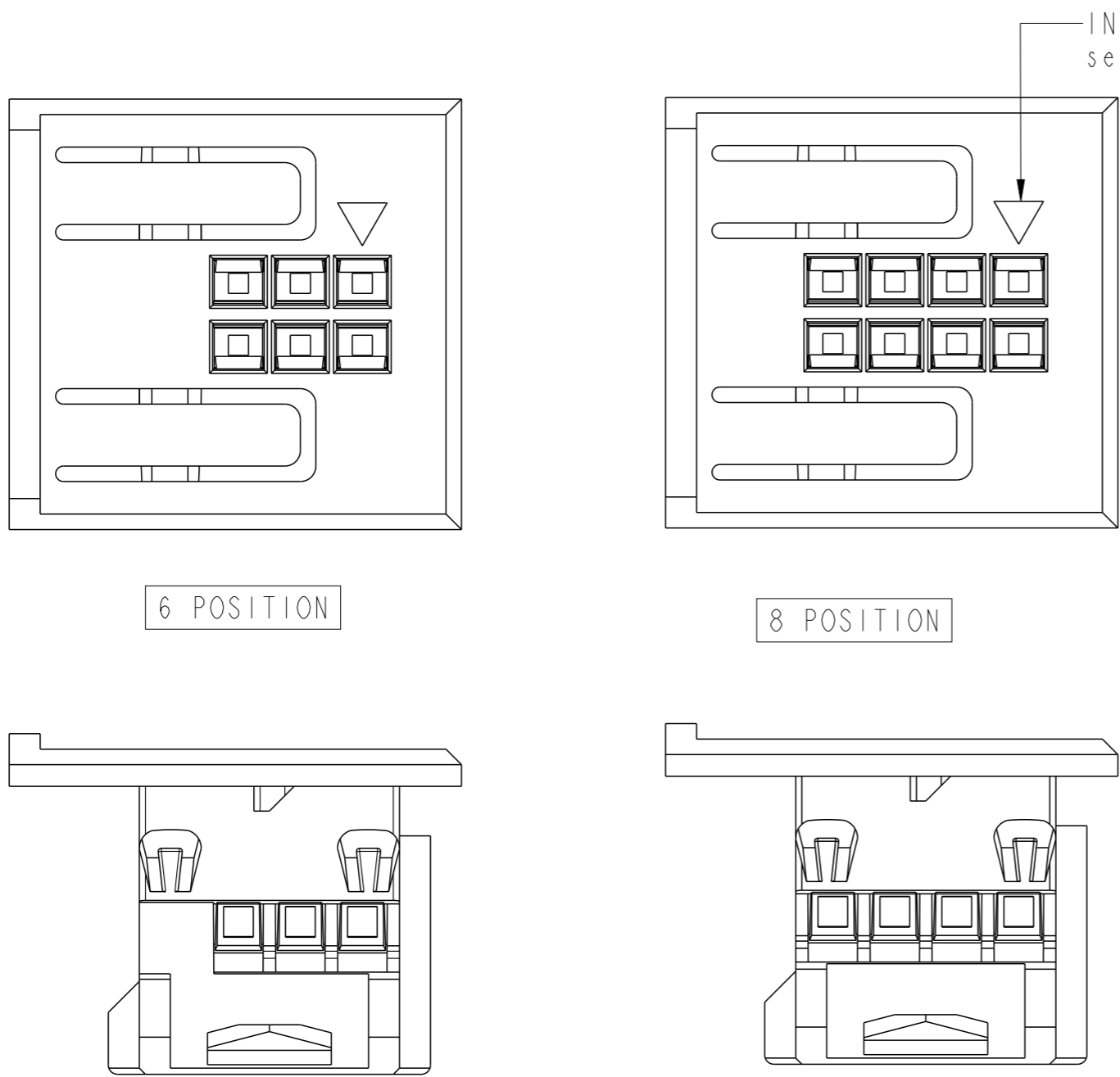
NOTES :

- 1 - HOUSING MATERIAL : HIGH TEMPERATURE THERMOPLASTIC COLOR BLACK
- 2 - PACKAGING : BLANK = BULK
- 3 - CODING TRIANGLE INDICATES POS 1, WHEN MATED WITH MINITEK HEADER 10148138
- 4 - FOR USE WITH MINITEK CRIMP TO WIRE CONTACT 77138 (26 - 30 AWG) AND 10044403 (22 - 26 AWG)
- 5 - PRODUCT SPECIFICATION AS PER GS-12-1470, CONTACT CRIMP RECOMMENDATIONS AS PER GS-20-058.
- 6 - PRODUCT MEETS EUROPEAN UNION DIRECTIVES AND OTHERS REGULATIONS AS DESCRIBED IN GS-22-008.
- 7 - THIS PRODUCT IS NOT INTENDED TO BE EXPOSED TO MANUFACTURING SOLDER PROCESSES.

HIGHEST BALLOON INDEX NUMBER: 108  
REMOVED BALLOON INDEX NUMBER:



spec ref -		dr	Sawanth, Ambaa	2019/03/19	projection	mm	size	A3	scale	5:1
tolerance std		eng	Detouillon, Da	2023/06/05			ecn no		ELX-F-48402-1	
ISO 406 ISO 1101		TOLERANCES UNLESS OTHERWISE SPECIFIED		product family			rel level		Released	
surface	linear	0.X	±0.3			MINITEK HOUSING CTW 2MM MINITEK BLINDMATE	dwg no	10148136		rev
		0.XX	±0.10							
0.XXX	±0.005									
ISO 1302	angular	0°	±2°		cat. no.	-	Product - Customer Drw		sheet 1 of 4	



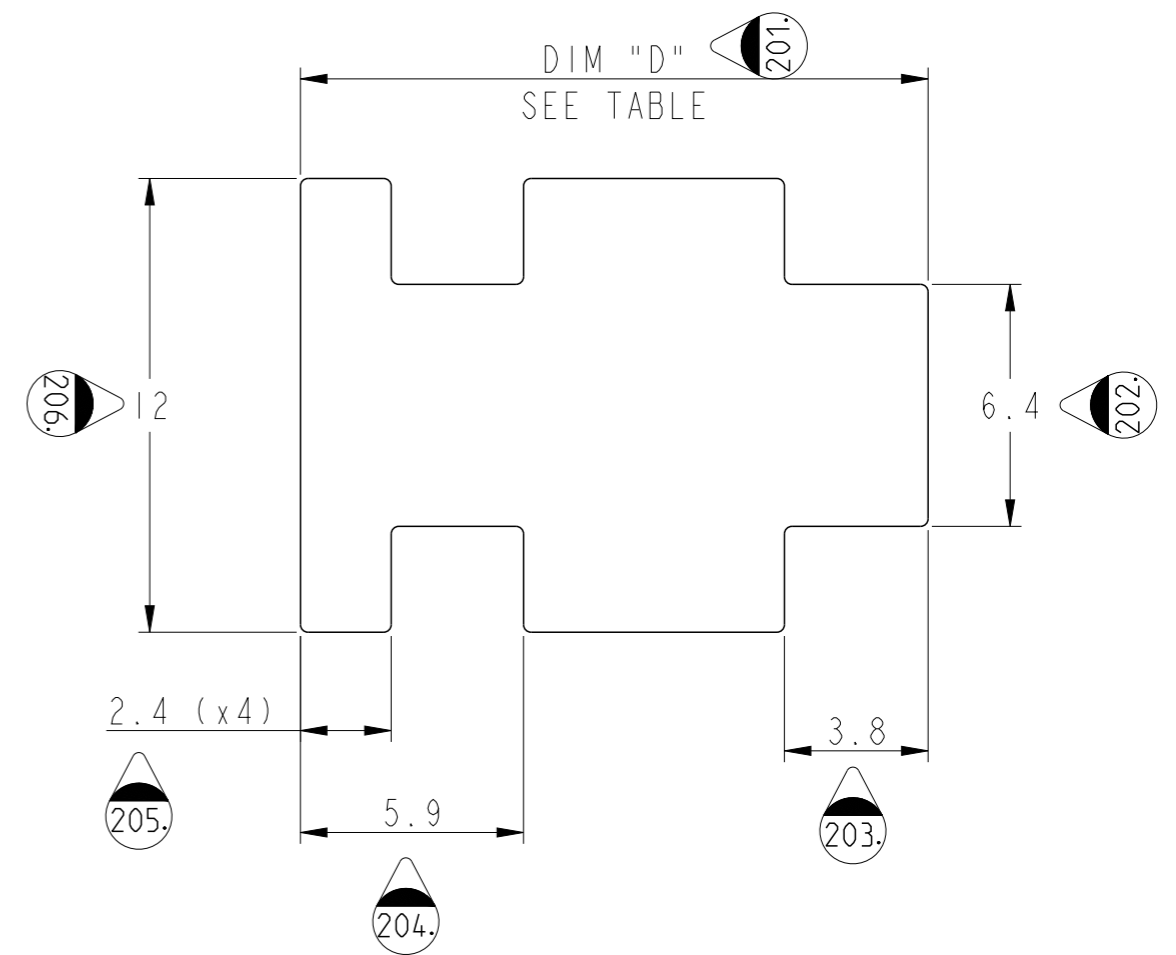
6 POSITION

8 POSITION

INDICATES POSITION 1  
see note 3

RECOMMENDED PANEL LAYOUT

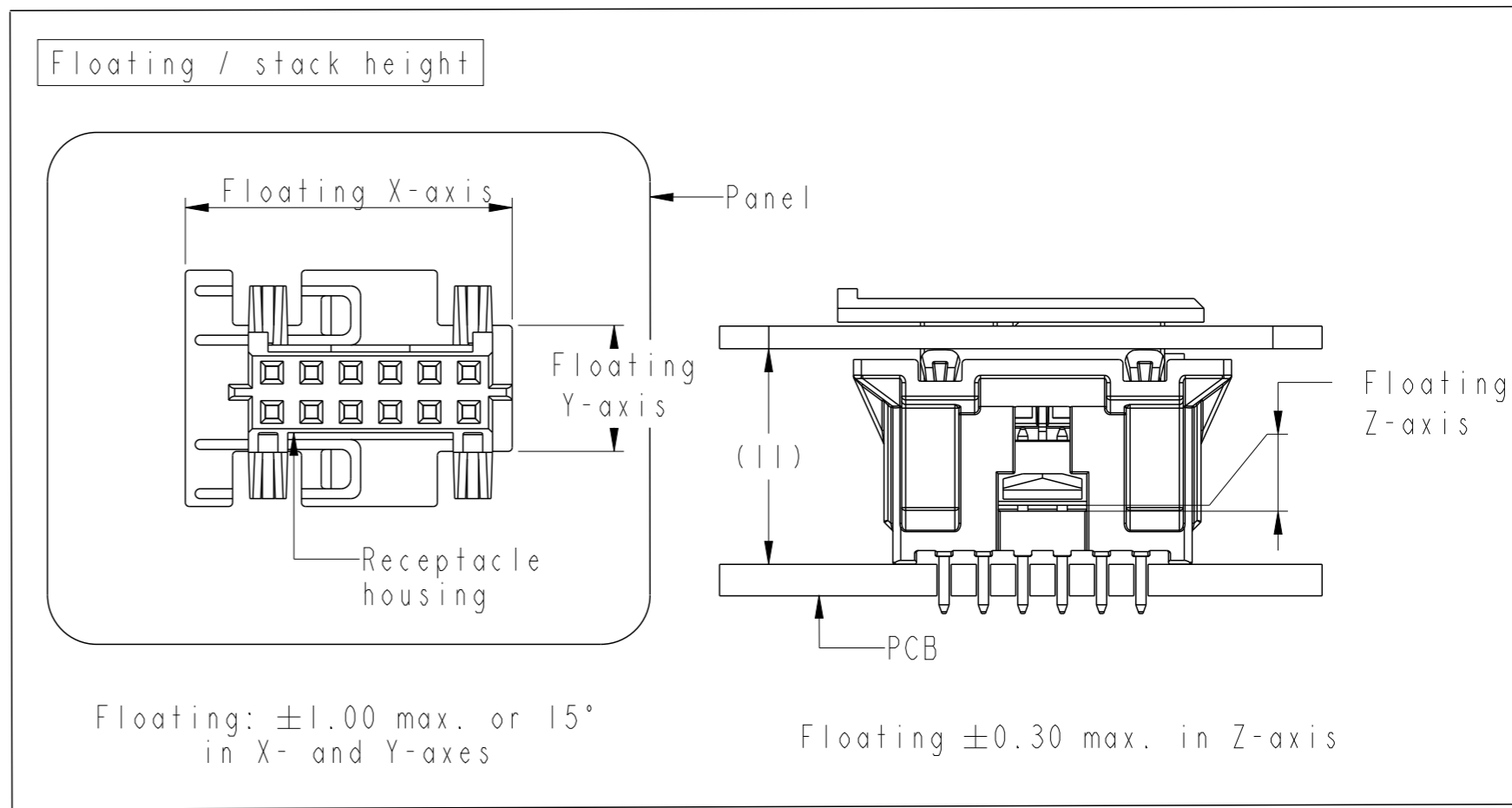
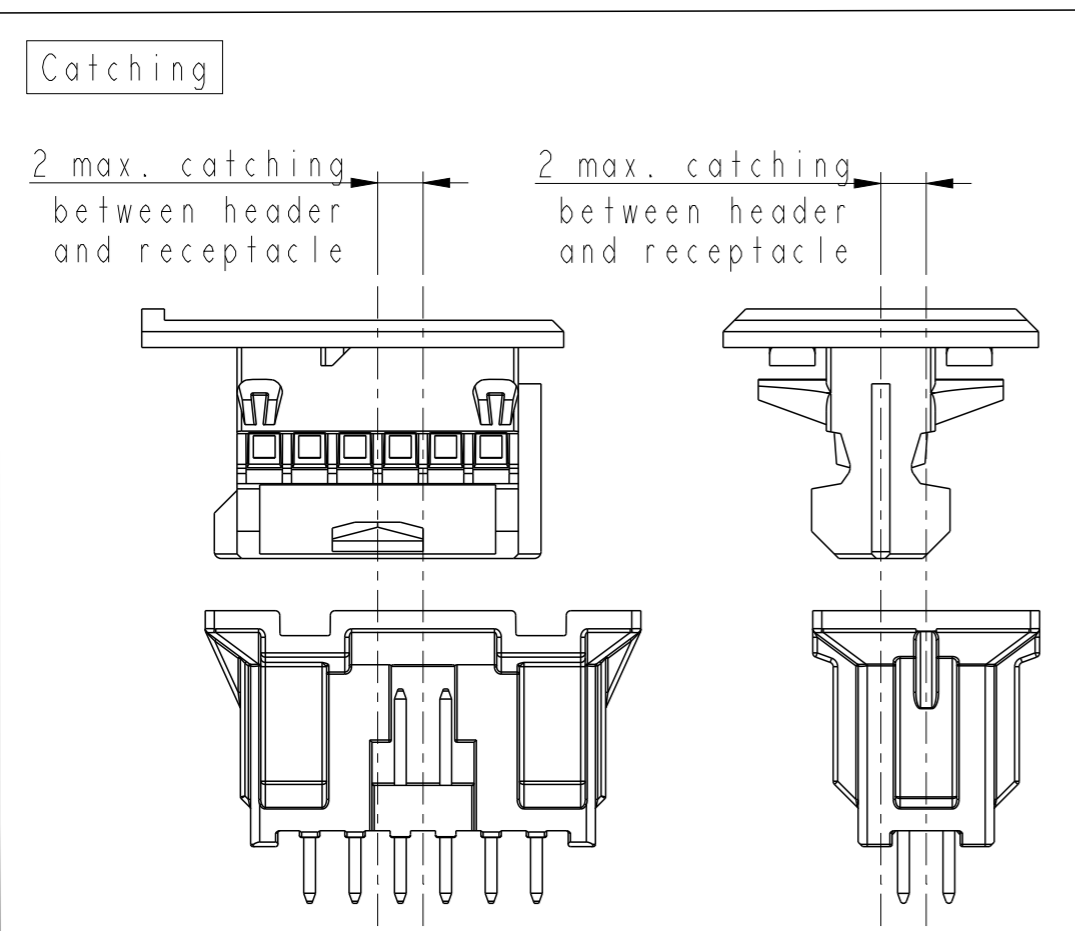
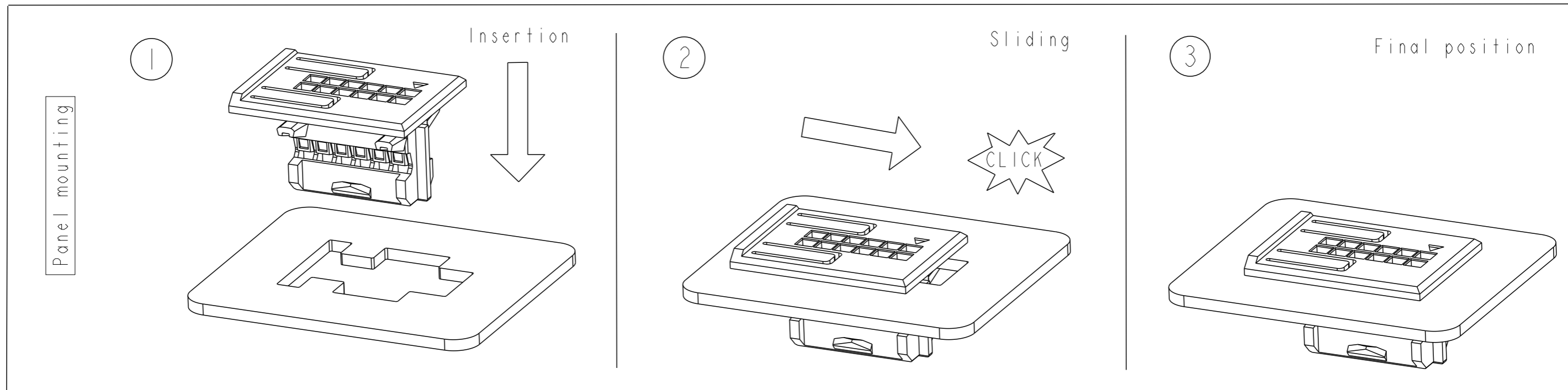
RECOMMENDED PANEL TOLERANCE  $\pm 0.10$   
THICKNESS:  $1.15 \pm 0.10$



SCALE 5:1

HIGHEST BALLOON INDEX NUMBER: 206  
REMOVED BALLOON INDEX NUMBER:

spec ref -		dr	Sawanth, Ambaa	2019/03/19	projection	mm	size	A3	scale	5:1		
tolerance std ISO 406 ISO 1101		TOLERANCES UNLESS OTHERWISE SPECIFIED			eng	Detouillon, Da	2023/06/05	ecn no	ELX-F-48402-1			
		chr	-	-	product family		rel level	Released				
surface		linear	0.X	$\pm 0.3$	Amphenol FCi		MINITEK HOUSING CTW 2MM MINITEK BLINDMATE		dwg no 10148136		rev	G
			0.XX	$\pm 0.10$								
			0.XXX	$\pm 0.005$								
ISO 1302		angular	0°	$\pm 2^\circ$	cat. no.	-	Product - Customer Drw		sheet 2 of 4			



Amphenol FCI

© 2020 Amphenol Corporation

spec ref	-	dr	Sawanth, Ambaa	2019/03/19	projection	mm	size	A3	scale	5:1	
tolerance std	ISO 406 ISO 1101	eng	Detouillon, Da	2023/06/05			ecn no	ELX-F-48402-1			
TOLERANCES UNLESS OTHERWISE SPECIFIED		chr	-	product family			rel level	Released			
surface	linear	appr	Lamy, Alexandr	2023/06/05			MINITEK HOUSING CTW 2MM	dwg no	10148136		rev
	angular	ISO 1302	0.X	$\pm 0.3$	MINITEK BLINDMATE	cat. no.	-	Product - Customer Drw	sheet 3 of 4		
			0.XX	$\pm 0.10$							
			0.XXX	$\pm 0.005$							
			0°	$\pm 2^\circ$							

	1	2	3	4
	Dim A	Dim B	Dim C	Dim D
6 POSITION	14.6	8.4	4	12.6
8 POSITION	14.6	8.4	6	12.6
10 POSITION	16.6	10.4	8	14.6
12 POSITION	18.6	12.4	10	16.6
14 POSITION	20.6	14.4	12	18.6
16 POSITION	22.6	16.4	14	20.6
18 POSITION	24.6	18.4	16	22.6
20 POSITION	26.6	20.4	18	24.6

A

B

C

D

A

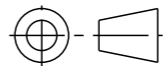


B

C

D

Amphenol  
FCi

© 2020 Amphenol Corporation

spec ref	-			dr	Sawanth, Ambaa	2019/03/19			size	A3	scale	2:1
tolerance std	TOLERANCES UNLESS OTHERWISE SPECIFIED			eng	Detouillon, Da	2023/06/05			ecn no	ELX-F-48402-1		
ISO 406 ISO 1101				chr	-	-			rel level	Released		
surface	<input checked="" type="checkbox"/> linear <input type="checkbox"/> angular	0.X	±0.3		MINITEK HOUSING CTW 2MM MINITEK BLINDMATE	cat. no. -	Product - Customer Drw	dwg no 10148136	rev G			
ISO 1302		0.XX	±0.10									
	0.XXX	±0.005										
		0°	±2°	amphenol-icc.com					sheet 4 of 4			