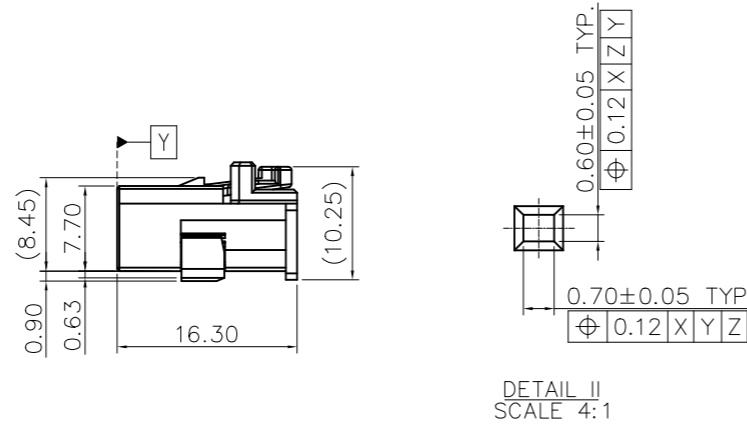
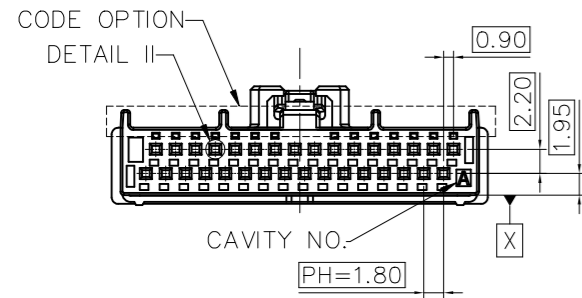
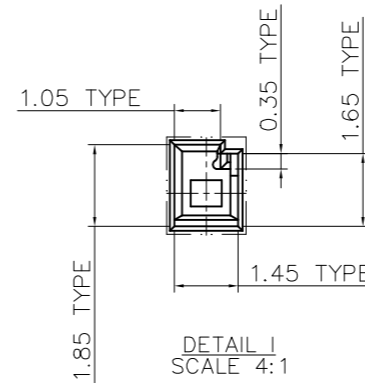
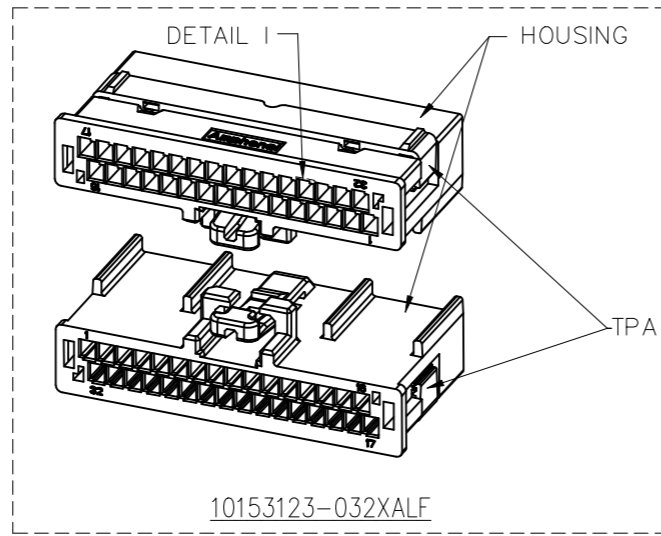
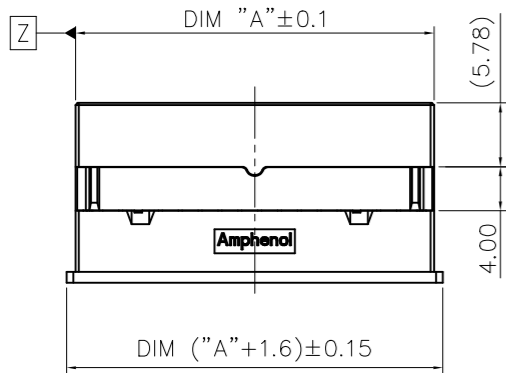


PART NUMBER (FROM 20Pos. TO 40Pos.)
10153123-020XXLF ~ 10153123-040XXLF



POS.	PART NO.	DIM "A"	POS.	PART NO.	DIM "A"	POS.	PART NO.	DIM "A"
20	10153123-020XALF	21.70	28	10153123-028XALF	28.90	36	10153123-036XALF	36.10
	10153123-020XBLF			10153123-028XBLF			10153123-036XBLF	
	10153123-020XCFL			10153123-028XCFL			10153123-036XCFL	
	10153123-020XDLF			10153123-028XDLF			10153123-036XDLF	
22	10153123-022XALF	23.50	30	10153123-030XALF	30.70	38	10153123-038XALF	37.90
	10153123-022XBLF			10153123-030XBLF			10153123-038XBLF	
	10153123-022XCFL			10153123-030XCFL			10153123-038XCFL	
	10153123-022XDLF			10153123-030XDLF			10153123-038XDLF	
24	10153123-024XALF	25.30	32	10153123-032XALF	32.50	40	10153123-040XALF	39.70
	10153123-024XBLF			10153123-032XBLF			10153123-040XBLF	
	10153123-024XCFL			10153123-032XCFL			10153123-040XCFL	
	10153123-024XDLF			10153123-032XDLF			10153123-040XDLF	
26	10153123-026XALF	27.10	34	10153123-034XALF	34.30	REMARK, THIS SHEET SHOWS 20Pos. TO 40Pos.		
	10153123-026XBLF			10153123-034XBLF				
	10153123-026XCFL			10153123-034XCFL				
	10153123-026XDLF			10153123-034XDLF				



NOTES

- MATERIAL: THERMOPLASTIC UL94V-0
COLOR: FOUR COLORS, DETAIL SEE TABLE
- OPERATING TEMPERATURE: -40°C~100°C
- PRODUCT SPECIFICATION: GS-12-1535
- PACKAGING SPEC: GS-14-2668
- PART NUMBER CODE: 10153123-0 XX X X LF

0: WITHOUT CPA

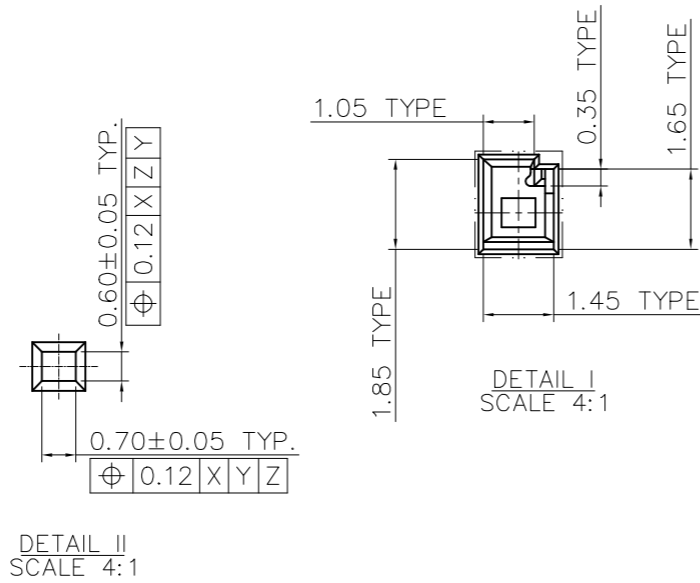
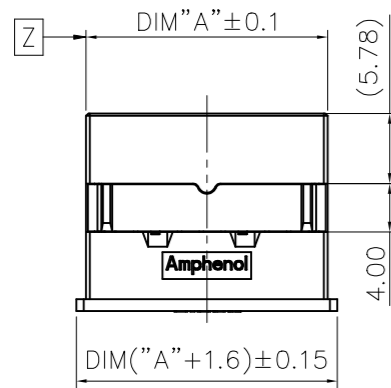
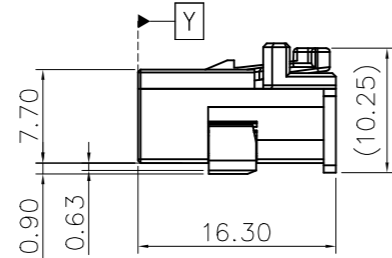
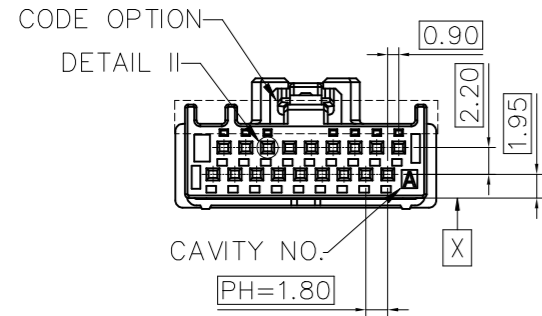
NUMBER OF POSITIONS
20 - 20 PINS
22 - 22 PINS
.....
40 - 40 PINS

RoHS COMPATIBLE
FOR CUSTOMER CODE
CODE OPTION + COLOR
A - A CODE
B - B CODE
C - C CODE
D - D CODE
PACKAGING
K - TRAY PACKAGE
T - PE BAG PACKAGE

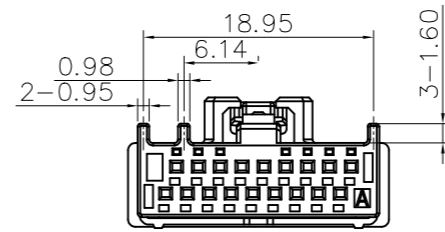
A CODE / COLOR: BLACK	B CODE / COLOR: GREEN; COLOR CODE: RAL6002
C CODE / COLOR: WHITE; COLOR CODE: RAL9001	D CODE / COLOR: BORDEAUX; COLOR CODE: RAL4004
REMARK, THIS SHEET SHOWS 20Pos. TO 40Pos.	

mat'l. code		surface	tolerance	projection	product family
		ISO 1302	ISO 406/ISO 1101		HPL649
ltr ecn no dr date		tolerances unless otherwise specified		mm	title
H	ELX-N-52001	JW.Z	06/07/2024	angles	RECEPTACLE KITS, DUAL ROW
				linear	WireLock® Series Cable Kits
C	ELX-N-37059	DW	5/15/2020	0°±2'	scale 1:1
D	ELX-N-37897	DW	8/04/2020	dr	NICK ZHANG 07/16/19
E	ELX-N-39175	DW	12/2/2020	enr	NICK ZHANG 07/16/19
F	ELX-N-40676	DW	4/19/2021	chr	ZK HU 05/16/19
G	ELX-N-40894	DW	5/08/2021	appd	TIM YAO 05/16/19
sheet index		revision	H	Amphenol FCI	
		sheet	1~4	dwg no 10153123 sheet 1 of 4 size A4	
				type Product Customer Drawing	

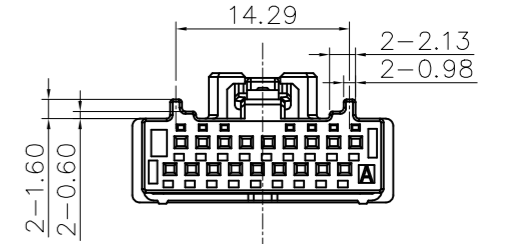
PART NUMBER (FROM 18Pos.)
10153123-018XXLF



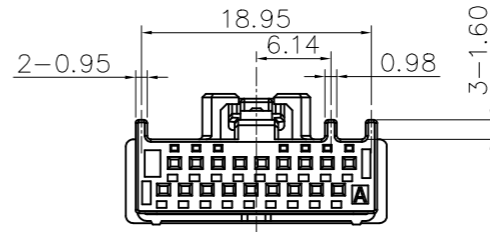
A CODE / COLOR: BLACK



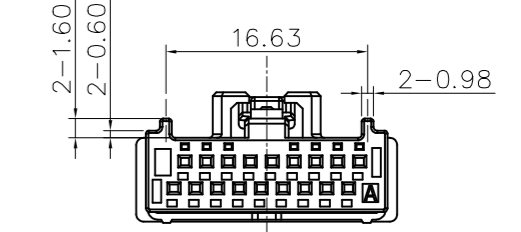
B CODE / COLOR: GREEN; COLOR CODE: RAL6002



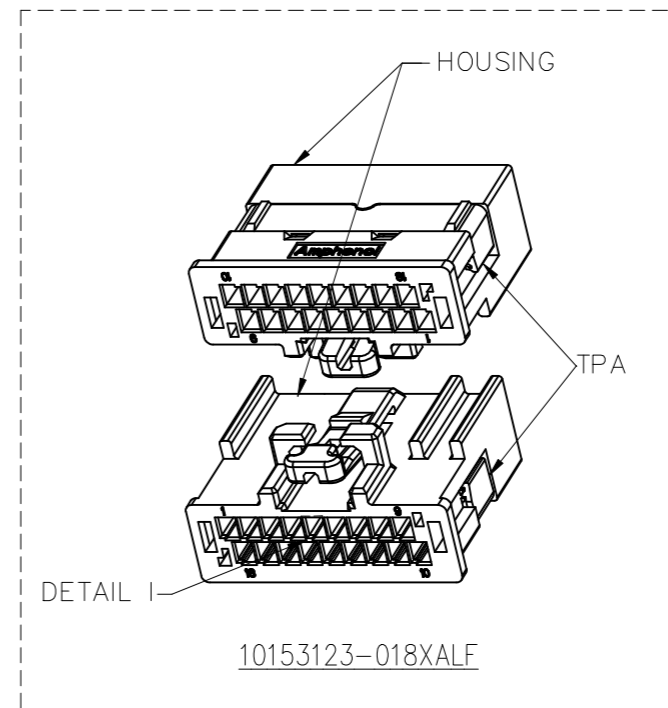
C CODE / COLOR: WHITE; COLOR CODE: RAL9001



D CODE / COLOR: BORDEAUX; COLOR CODE: RAL4004



REMARK, THIS SHEET SHOWS 18Pos.

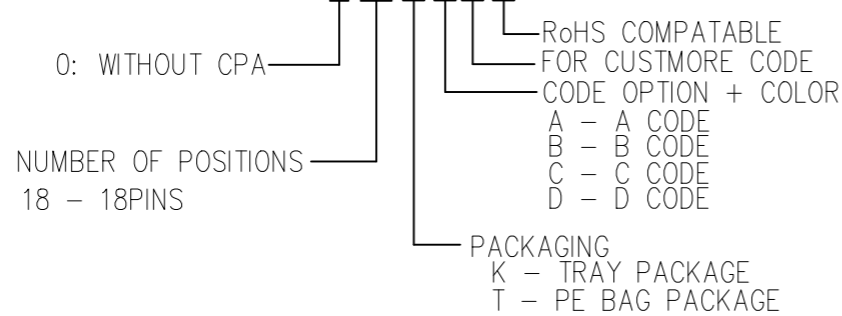


POS.	PART NO.	DIM "A"
18	10153123-018XALF	19.90
	10153123-018XBLF	
	10153123-018XCFL	
	10153123-018XDLF	

REMARK,
THIS SHEET SHOWS 18Pos.

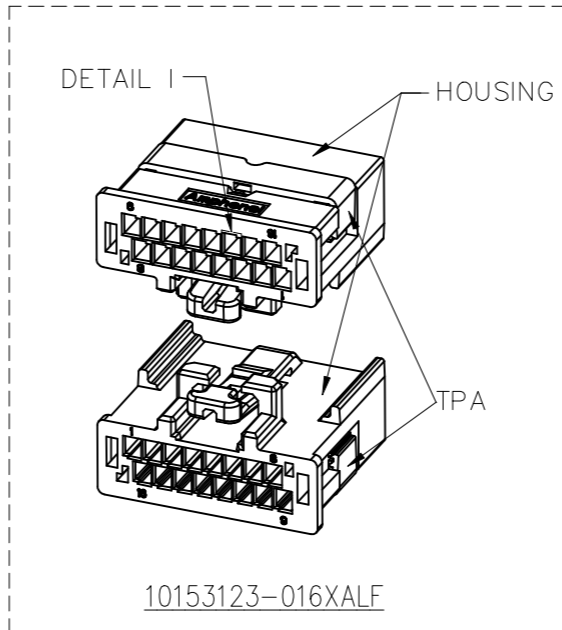
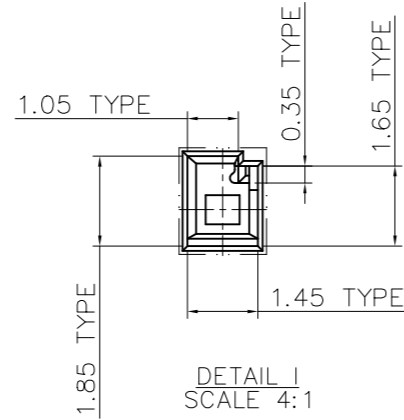
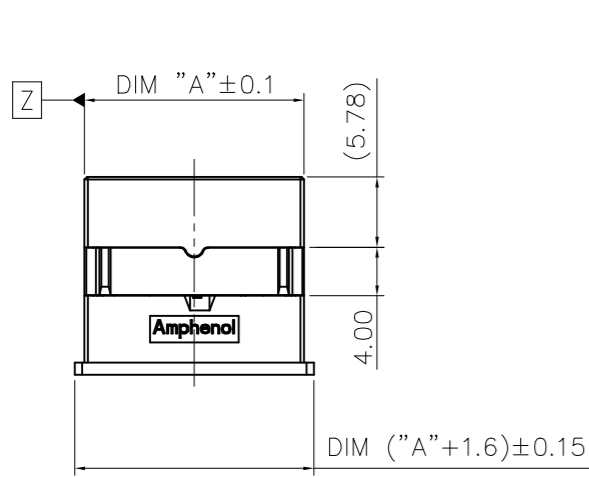
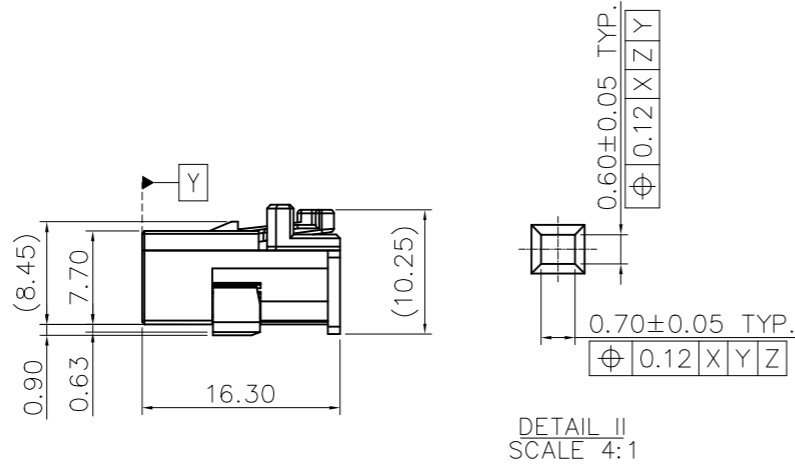
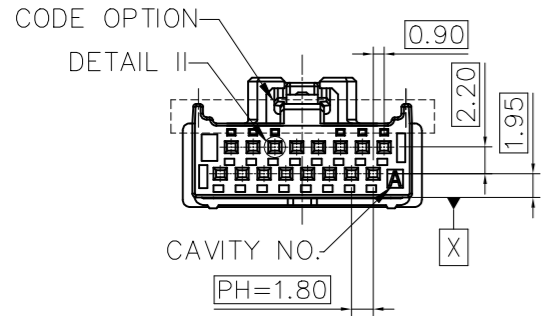
NOTES

- MATERIAL: THERMOPLASTIC UL94V-0
COLOR: FOUR COLORS, DETAIL SEE TABLE
- OPERATING TEMPERATURE: -40°C~100°C
- PRODUCT SPECIFICATION: GS-12-1535
- PACKAGING SPEC: GS-14-2668
- PART NUMBER CODE: 10153123-0 XX X X LF



mat'l. code		surface ISO 1302	tolerance ISO 406/ISO 110	projection mm	product family HPL649
ltr	ecn no	dr	date	tolerances unless otherwise specified	title RECEPTACLE KITS, DUAL ROW WireLock Series Cable Kits
H				angles 0°±2'	dwg no 10153123
				linear .0±.3 .00±.15 .000±.010	sheet 2 of 4
				scale 1:1	size A4
				dr NICK ZHANG 07/16/19	type Product Customer Drawing
				enr NICK ZHANG 07/16/19	
				chr ZK HU 05/16/19	
				appd TIM YAO 05/16/19	
sheet index	revision sheet	H	1~4		

PART NUMBER (FROM 14Pos. TO 16Pos.)
10153123-014XXLF ~ 10153123-016XXLF



A CODE / COLOR: BLACK DIM ("A"-1.0) 2-0.88 2-1.60 2-0.50	B CODE / COLOR: GREEN; COLOR CODE: RAL6002 DIM ("A"-2.55) 2-0.80 2-1.60 2-0.50
C CODE / COLOR: WHITE; COLOR CODE: RAL9001 DIM ("A"-2.4) 2-0.80 2-1.60 2-0.50	D CODE / COLOR: BORDEAUX; COLOR CODE: RAL4004 DIM ("A"-4.0) 2-0.80 2-1.60 2-0.50

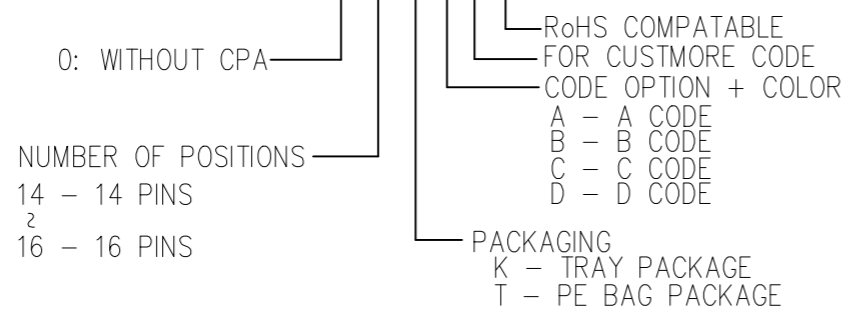
REMARK, THIS SHEET SHOWS 14Pos. TO 16Pos.

POS.	PART NO.	DIM "A"
14	10153123-014XALF	16.30
	10153123-014XBLF	
	10153123-014XCLF	
	10153123-014XDLF	
16	10153123-016XALF	18.10
	10153123-016XBLF	
	10153123-016XCLF	
	10153123-016XDLF	

REMARK,
THIS SHEET SHOWS 14Pos.
TO 18Pos.

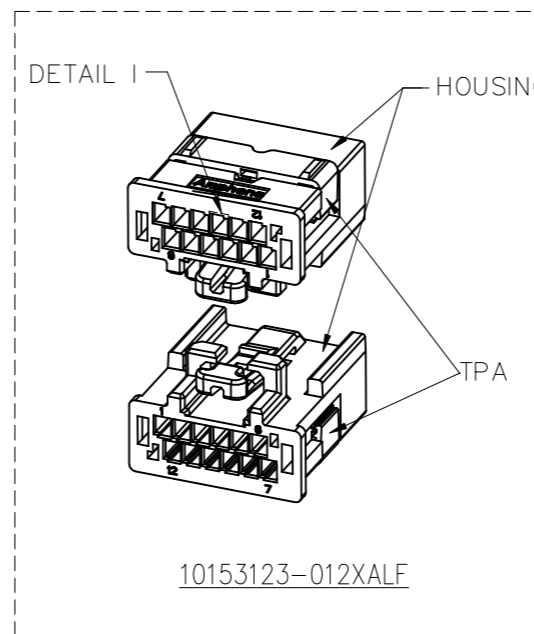
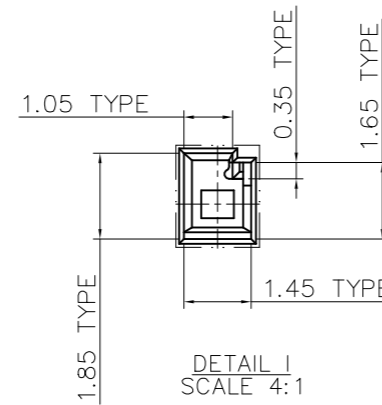
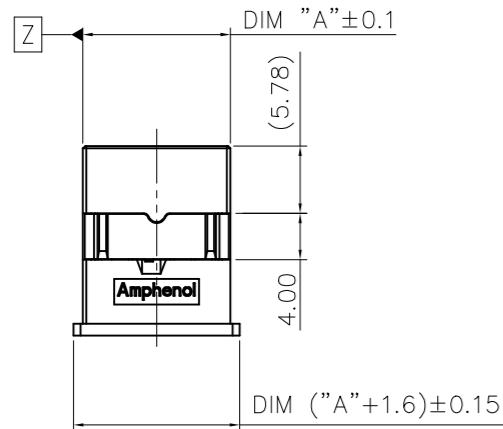
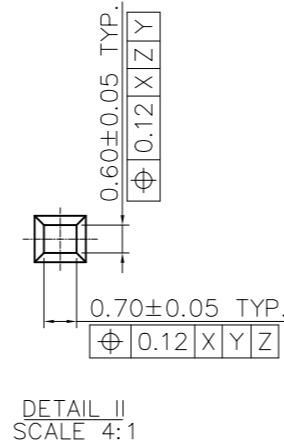
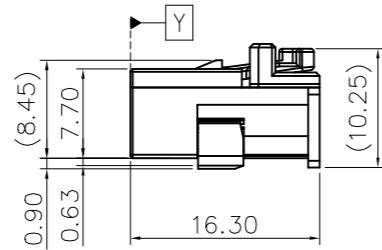
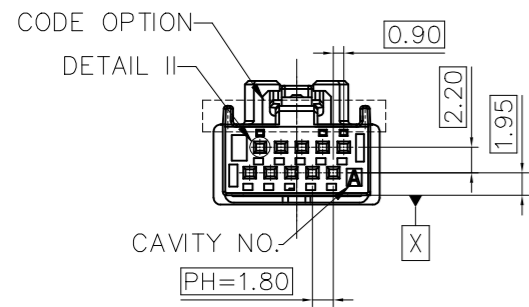
NOTES

- 1 - MATERIAL: THERMOPLASTIC UL94V-0
COLOR: FOUR COLORS, DETAIL SEE TABLE
- 2 - OPERATING TEMPERATURE: -40°C~100°C
- 3 - PRODUCT SPECIFICATION: GS-12-1535
- 4 - PACKAGING SPEC: GS-14-2668
- 5 - PART NUMBER CODE: 10153123-0 XX X X LF



mat'l. code		surface ISO 1302	tolerance ISO 406/ISO 1101	projection mm	product family HPL649
ltr	ecn no	dr	date	tolerances unless otherwise specified	title RECEPTACLE KITS, DUAL ROW WireLock® Series Cable Kits
H				angles linear .0±.3 .00±.15 0°±2' .000±.010	scale 1:1
		dr	NICK ZHANG 07/16/19		dwg no sheet 3 of 4
		enr	NICK ZHANG 07/16/19		size A4
		chr	ZK HU 05/16/19		10153123
		appd	TIM YAO 05/16/19		Product Customer Drawing
sheet index	revision sheet	H	1~4		

PART NUMBER (FROM 10Pos. TO 12Pos.)
10153123-010XXLF ~ 10153123-012XXLF



POS.	A CODE / COLOR: BLACK
10	
12	
REMARK, THIS SHEET SHOWS 10Pos. TO 12Pos. NO B/C/D CODE TO PROVIDE.	

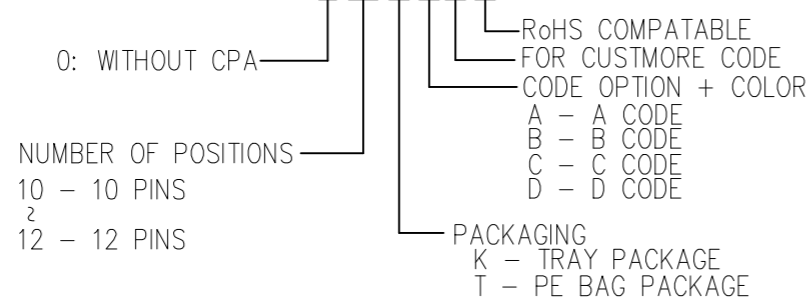
POS.	PART NO.	DIM "A"	POS.	PART NO.	DIM "A"
10	10153123-010XALF	12.70	12	10153123-012XALF	14.50
REMARK, THIS SHEET SHOWS 10Pos. TO 12Pos.					

NOTES

- 1 - MATERIAL: THERMOPLASTIC UL94V-0
COLOR: FOUR COLORS, DETAIL SEE TABLE
- 2 - OPERATING TEMPERATURE: -40°C~100°C
- 3 - PRODUCT SPECIFICATION: GS-12-1535
- 4 - PACKAGING SPEC: GS-14-2668



5 - PART NUMBER CODE: 10153123-0 XX X X LF



mat'l. code		surface ISO 1302	tolerance ISO 406/ISO 110	projection mm	product family HPL649
ltr	ecn no	dr	date	tolerances unless otherwise specified	title RECEPTACLE KITS, DUAL ROW WireLock® Series Cable Kits
H				angles linear: .0±.3, .00±.15, .000±.010	
sheet index		revision	H	scale 1:1	dwg no 10153123
		sheet	1~4	Amphenol FCI	sheet 4 of 4 size A4
				dr: NICK ZHANG 07/16/19	type Product Customer Drawing
				enr: NICK ZHANG 07/16/19	
				chr: ZK HU 05/16/19	
				appd: TIM YAO 05/16/19	