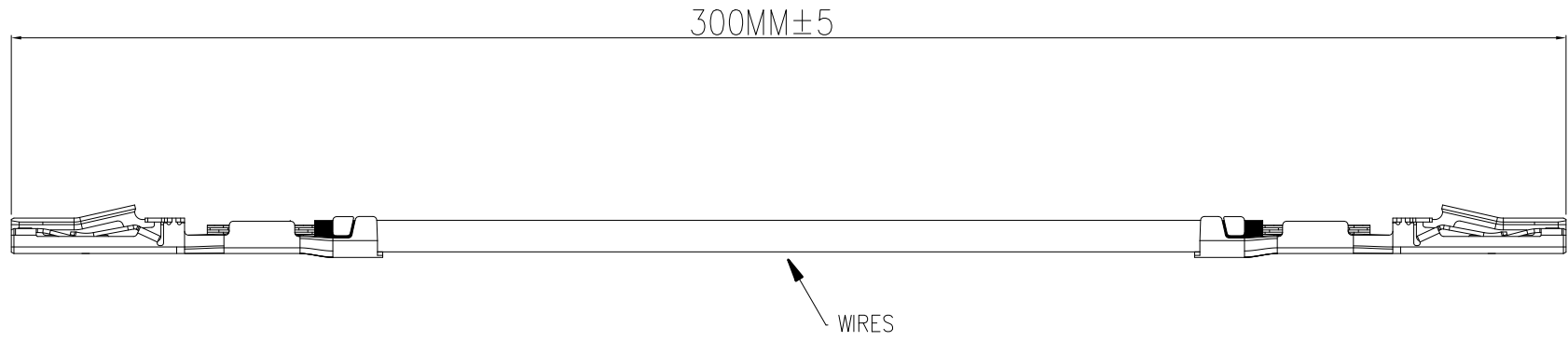


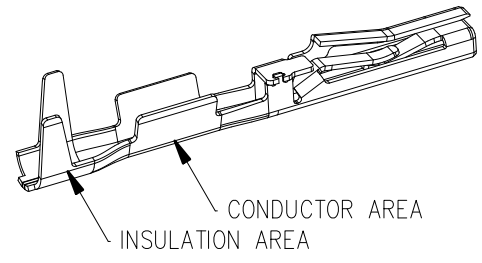
PRODUCT NUMBER	TERMNAL DEFINED
10156402-001LF	10153126-4T2LF
10156402-002LF	10153126-4C2LF

OBS



NOTES:

- 1. TERMINAL: 10153126-YXZLF, SEE PART NUMBER.
- 2. 1061 22AWG, 10141390-001
- 3. CROSS SECTION REQUIRED.



Amphenol FCI  
 © 2016 AFCI  
 ©  
 D

mat'l. code				surface ISO 1302 <input checked="" type="checkbox"/>		tolerance ISO 406 ISO 1101		projection 		Cable Assembly			
ltr	ecn no	dr	date	tolerances unless otherwise specified						title			
A		HJJ	01/29'21	angles		linear		MM		WTB CABLE ASSEMBLY			
B		HJJ	09/18'21							scale		N/A	
C		HJJ	11/03'21							Amphenol FCI			
D		HJJ	03/01'22	dr	JJ Huang	03/01'22				dwg no		sheet 1 of 1 size	
				enr	JJ Huang	03/01'22				10156402		A3	
				chr	Tim Yao	03/01'22				type		Customer Drawing	
				appd	Tim Yao	03/01'22							
sheet index	revision sheet	D	1										

5