

PRODUCT DESCRIPTION CODE :

10156818-A002 LF

RoHS COMPATIBLE

FOR CUSTOMER CODE:
BLANK = GENERAL USE

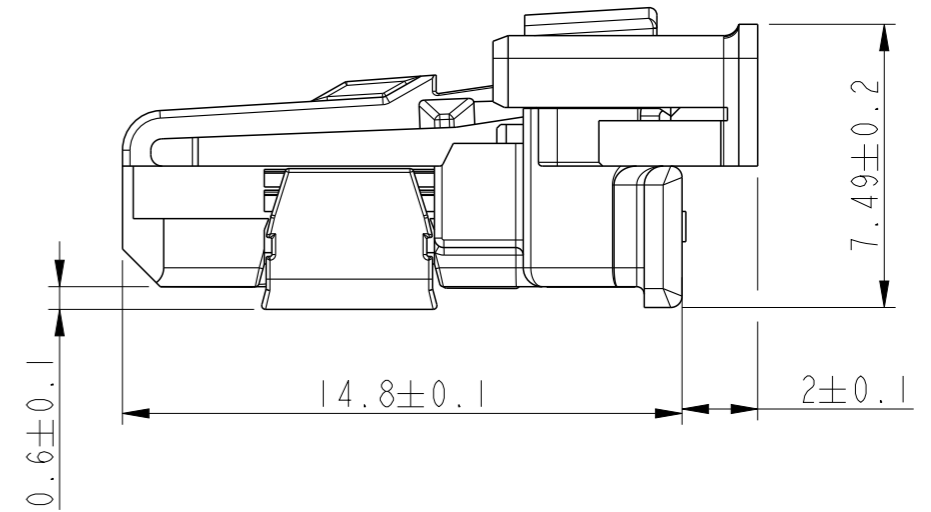
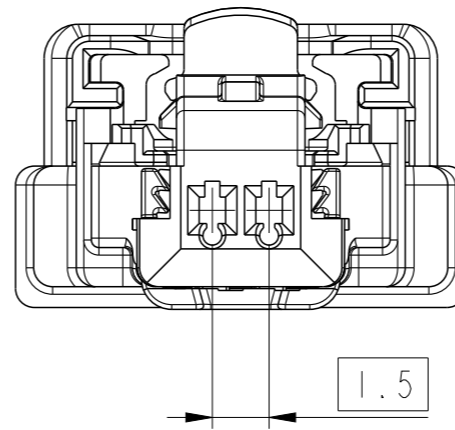
PACKAGING :
BLANK = BULK

NUMBER OF POSITIONS : 02

MATERIAL (SEE NOTE 1)

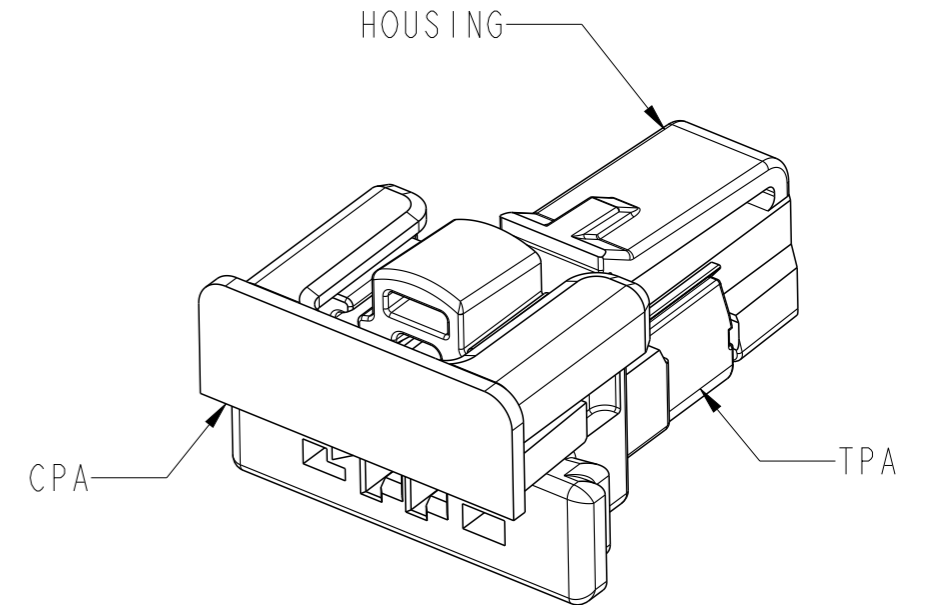
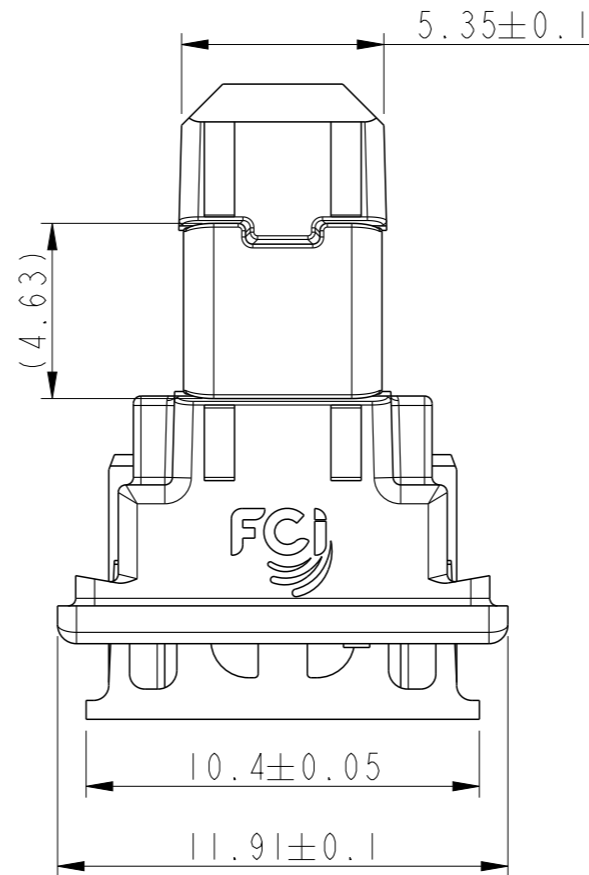
CODING TYPE :

BLANK = NEUTRAL BLACK COLOR
A = CODING A BLACK COLOR
B = CODING B BLACK COLOR
C = CODING B NATURAL COLOR



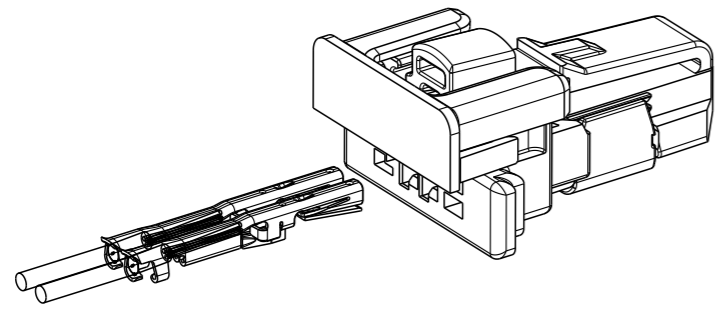
NOTES:

- 1 - MATERIAL :
HIGH TEMPERATURE THERMOPLASTIC UL94 V-0
- 2 - PACKAGING : BULK
- 3 - FOR USE WITH MINITEK μSPACE CTW TERMINALS :
AWG 26-30, SERIE 10141272
- 4 - TO BE MATED WITH MINITEK μSPACE HEADERS SERIES
10159808 & 10159449
- 5 - RoHS COMPLIANT, THE PRODUCT IS NOT INTENDED TO BE
EXPOSED TO ANY SOLDER PROCESS.
- 6 - PRODUCT MEETS EUROPEAN UNION DIRECTIVES AND OTHERS
COUNTRY REGULATIONS AS PER GS-022-008
- 7 - VIEWS WITHOUT NAME CORRESPOND TO THE NEUTRAL CODING

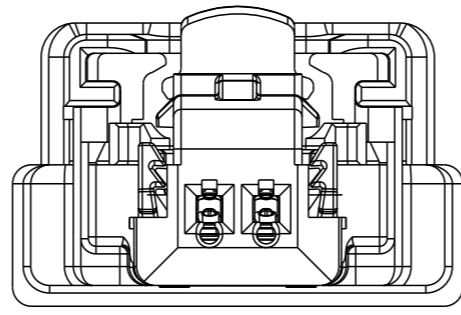


PRE-LOAD CONFIGURATION : DELIVERED STATUS

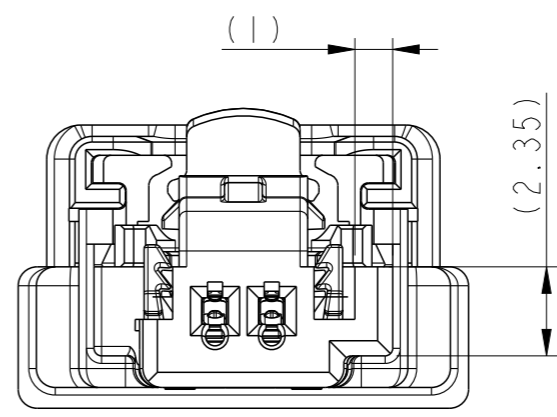
spec ref	-	dr	Ramu P	2020/02/25	projection	mm	size	A3	scale	5:1	
tolerance std	ISO 406 ISO 1101	eng	Moisan, Gwenda	2024/02/27			ecn no	ELX-F-43666-1			
	TOLERANCES UNLESS OTHERWISE SPECIFIED	chr	Canque, Vincen	2022/01/25			rel level	Released			
surface	linear	appr	Vallière, Jérô	2022/01/25	product family		dwg no	10156818		rev	C
	angular							RECEPTACLE ASSEMBLY MINITEK μSPACE STS 1.5 TOP LATCH			
	0.X ±0.3 0.XX ±0.10 0.XXX ±0.05	cat. no.	Product - Customer Drw		sheet 1 of 3						



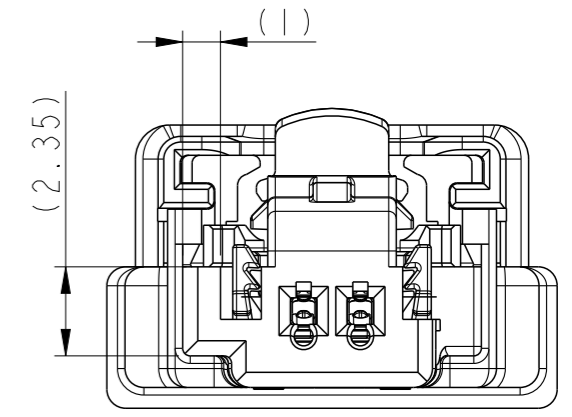
PRE-LOAD CONFIGURATION FOR TERMINAL INSERTION



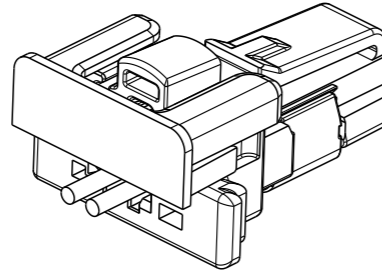
2POS NEUTRAL CODING



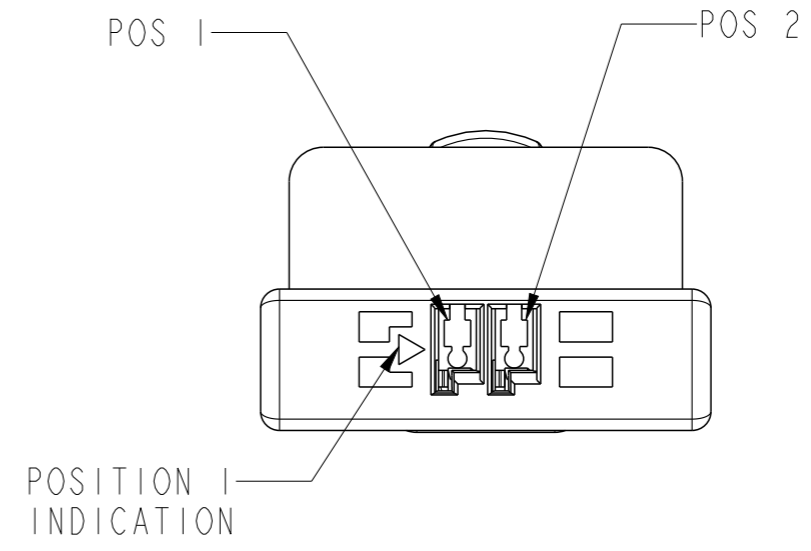
2POS CODA DIMENSIONS



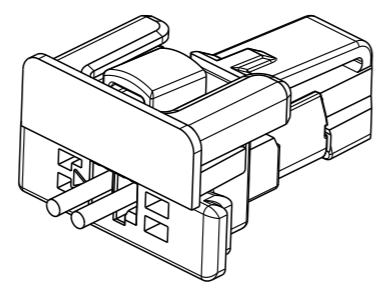
2POS CODB DIMENSIONS



FINAL LOAD CONFIGURATION WITH INSERTED TERMINAL



POSITION NUMBER INDICATION



FULL HEADER AND RECEPTACLE ASSEMBLY CONFIGURATION

Amphenol
FCi

© 2020 Amphenol Corporation

spec ref -		dr	Ramu P	2020/02/25	projection	mm	size	A3	scale	5:1	
tolerance std		eng	Moisan, Gwenda	2024/02/27			ecn no		ELX-F-43666-1		
ISO 406 ISO 1101		chr	Canque, Vincen	2022/01/25			rel level		Released		
TOLERANCES UNLESS OTHERWISE SPECIFIED		appr	Vallière, Jérô	2022/01/25	product family		rel level		Released		
surface	linear	0.X	±0.3	Amphenol FCi	RECEPTACLE ASSEMBLY MINITEK μSPACE STS 1.5 TOP LATCH		dwg no	10156818		rev	C
		0.XX	±0.10								
	0.XXX	±0.05									
ISO 1302	angular	0°	±2°	cat. no.	Product - Customer Drw		sheet 2 of 3				

Creo File:ELX-WC-A3C.REV F.2020-12-21

1

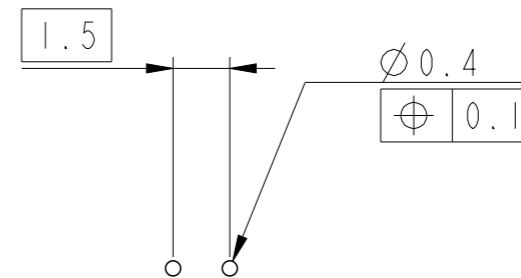
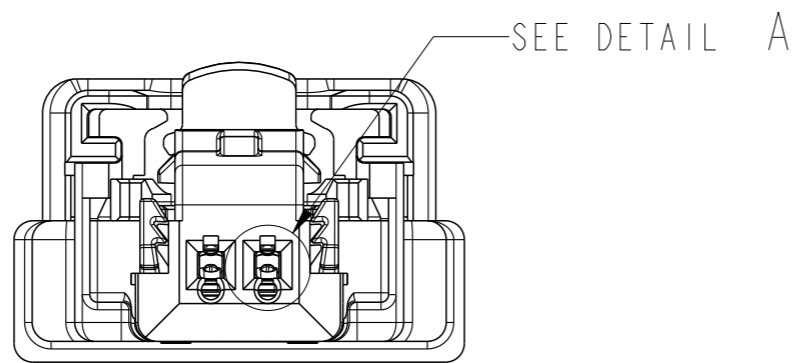
2

3

4

A

B

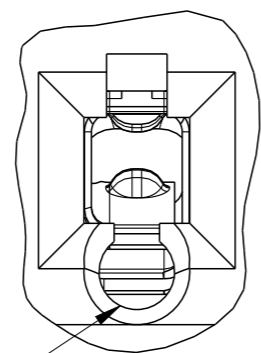


TEST PROBE \varnothing 0.4mm COMPLIANCE

RECOMMENDED LAYOUT OF TEST PROBE \varnothing 0.4mm

Amphenol
FCi

C



HOLE FOR TEST PROBE

DETAIL A
SCALE 20:1

© 2020 Amphenol Corporation

D

spec ref -		dr	Ramu P	2020/02/25	projection	mm	size	A3	scale	2:1
tolerance std ISO 406 ISO 1101		TOLERANCES UNLESS OTHERWISE SPECIFIED			eng	Moisan, Gwenda	2024/02/27	ecn no		ELX-F-43666-1
		chr	Canque, Vincen	2022/01/25	product family		rel level		Released	
surface		linear	0.X	± 0.3	Amphenol FCi		RECEPTACLE ASSEMBLY MINITEK μ SPACE STS 1.5 TOP LATCH		dwg no 10156818	
			0.XX	± 0.10						
			0.XXX	± 0.05						
ISO 1302		angular	0°	$\pm 2^\circ$	cat. no.	Product - Customer Drw		sheet 3 of 3		rev C

2

3

PDS: Rev :C

STATUS:Released

Printed: Feb 28, 2024