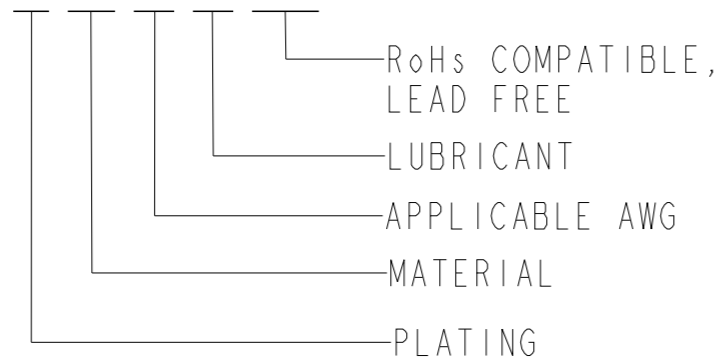


PRODUCT NUMBER

10156852-Y X X X LF



NOTES

1- PLATING :

1- GOLD FLASH 0.1 μm MIN ON CONTACT AREA
2μm MIN MATTE TIN ON CRIMPING AREA
1.27μm MIN Ni UNDERLAYER.

2- 2μm MATTE TIN + 0.5μm COPPER UNDERCOAT,
REFLOW PLATED (PRE-PLATED).

3- GOLD 0.38μm MIN ON CONTACT AREA
2μm MIN MATTE TIN ON CRIMPING AREA
1.27μm MIN Ni UNDERLAYER.

4- GOLD 0.76μm MIN ON CONTACT AREA
2μm MIN MATTE TIN ON CRIMPING AREA
1.27μm MIN Ni UNDERLAYER.

2- MATERIAL

- 2- BRASS (STANDARD CURRENT)
- 3- HIGH CONDUCTIVITY COPPER ALLOY (HIGH CURRENT)

3- APPLICABLE AWG

- 1- AWG #16-18 : INSULATOR DIAMETER 3.10MM MAX
- 2- AWG #20-24 : INSULATOR DIAMETER 2.55MM MAX
- 3- AWG #26-28 : INSULATOR DIAMETER 2.00MM MAX

4- LUBRICANT :

0- NONE

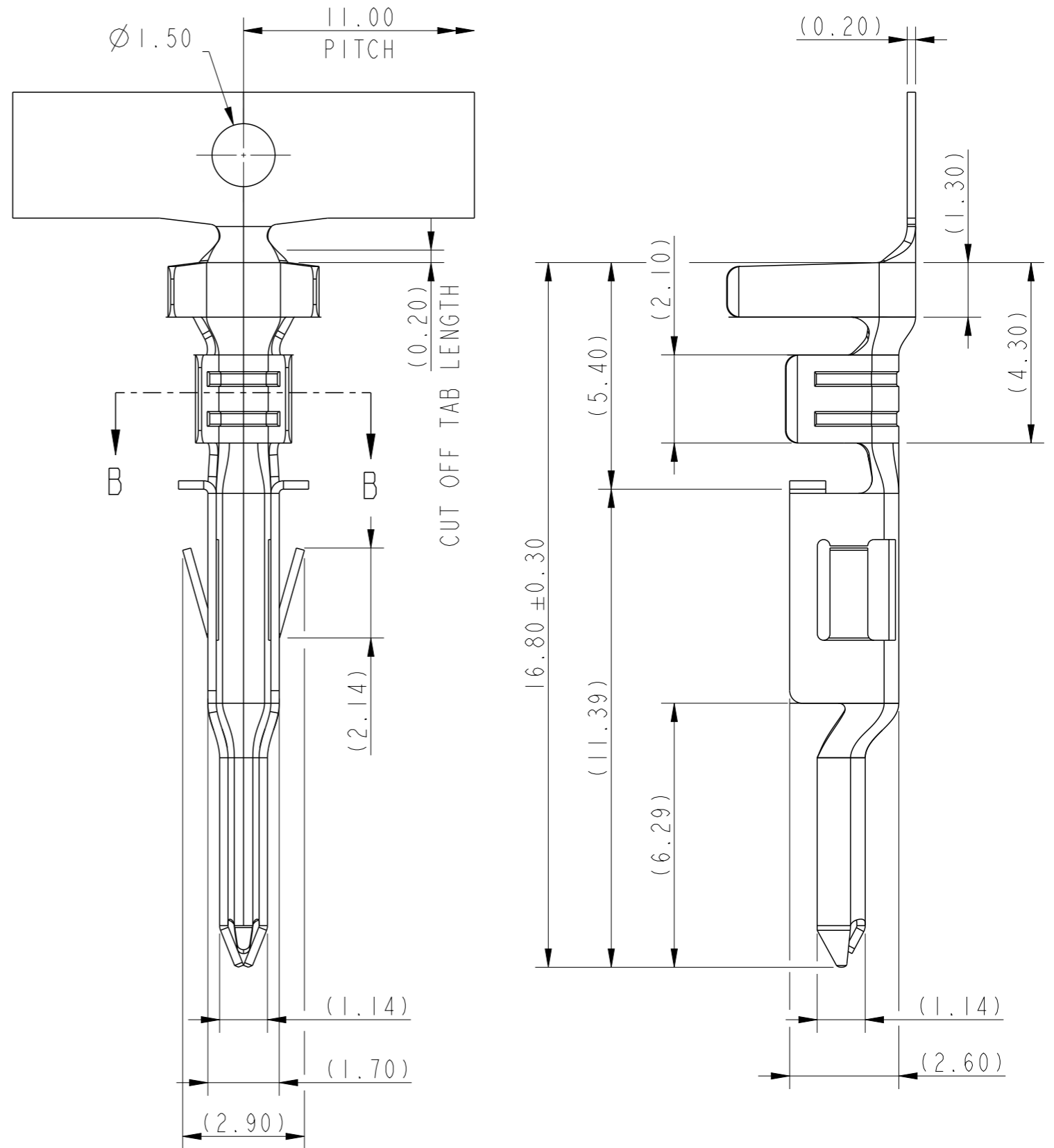
5- REFER GS-20-0659 AND GS-20- APPLICATION SPECIFICATION FOR MATING CONNECTOR.

6- APPLICATION SPECIFICATION:GS-20-0659.

7- REEL PACKING AS PER GS-14-2751.

8- PRODUCT SPECIFICATION : GS-12-1181 (STANDARD)
GS-12-1333 (HIGH CURRENT)

9- LEAD FREE PRODUCTS MEET EUROPEAN UNION DIRECTIVES AND OTHER COUNTRY REGULATIONS AS DESCRIBED IN GS-47-0004



spec ref		dr	Vipin M-G	2022/03/04	projection	MM	size	A3	scale	4:1	
tolerance std		eng	Paul Mithun	2022/04/04			ecn no		rel level		
ISO 406 ISO 1101		chr	-	-			-		Released		
TOLERANCES UNLESS OTHERWISE SPECIFIED		appr	Kuriakose, San	2022/04/04	product family		MINITEK		rel level		
surface	linear	0.X		±0.4	Amphenol FCI		title PLUG CRIMP TERMINAL MINITEK POWER 4.2		dwg no 10156852		rev A
		0.XX		±0.30					ptc_wm		
ISO 1302		angular	0°		±2°	cat. no.		-		Product - Customer Drw	
								sheet 1 of 2			

1

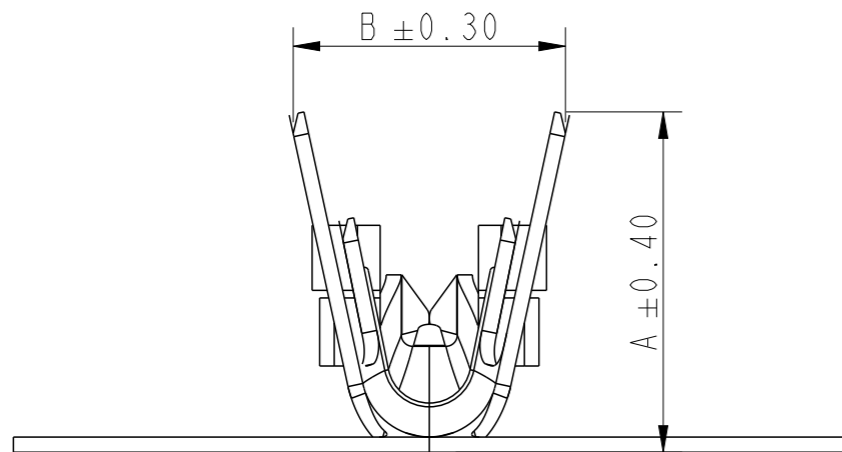
2

3

4

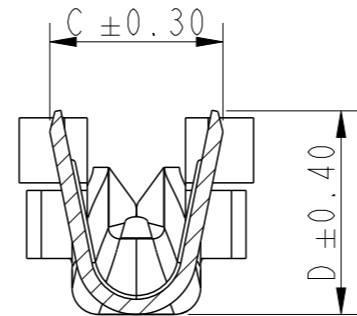
A

A



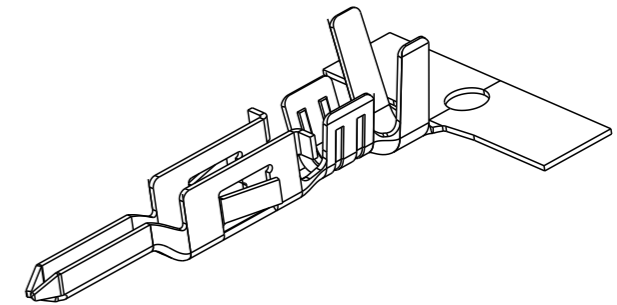
INSULATION BARREL

SCALE 10:1

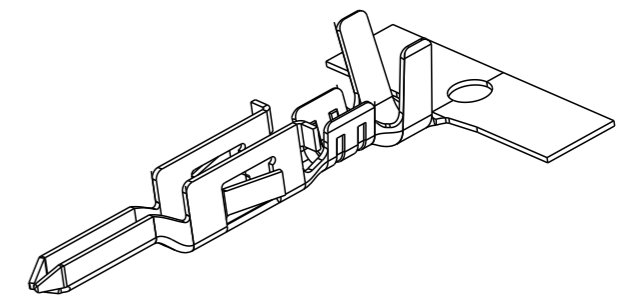


CONDUCTOR BARREL

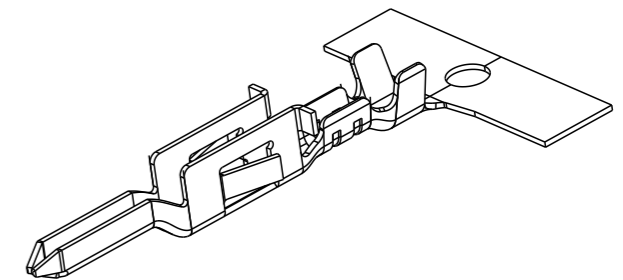
SECTION B-B
SCALE 10:1



10156852-YX1XLF : AWG#16-18



10156852-YX2XLF : AWG#20-24



10156852-YX3XLF : AWG#26-28

B

B

C

C

PART NUMBER	DIM A	DIM B	DIM C	DIM D
10156852-YX1XLF	4.50	3.60	2.30	2.70
10156852-YX2XLF	4.10	3.40	1.80	2.00
10156852-YX3XLF	2.40	2.40	1.40	1.50

D

D

spec ref		dr	Vipin M-G	2022/03/04	projection	MM	size	A3	scale	10:1
tolerance std		eng	Paul Mithun	2022/04/04			ecn no		-	
ISO 406 ISO 1101		TOLERANCES UNLESS OTHERWISE SPECIFIED		chr			-	rel level		Released
surface		appr	Kuriakose, San	2022/04/04	product family		MINITEK		-	
ISO 1302		linear		0.X	±0.4	PLUG CRIMP TERMINAL		dwg no		10156852
				0.XX	±0.30	MINITEK POWER 4.2		rev		A
				0.XXX	±0	cat. no.		-		Product - Customer Drw
		angular		0°	±2°			sheet 2 of 2		

2

3