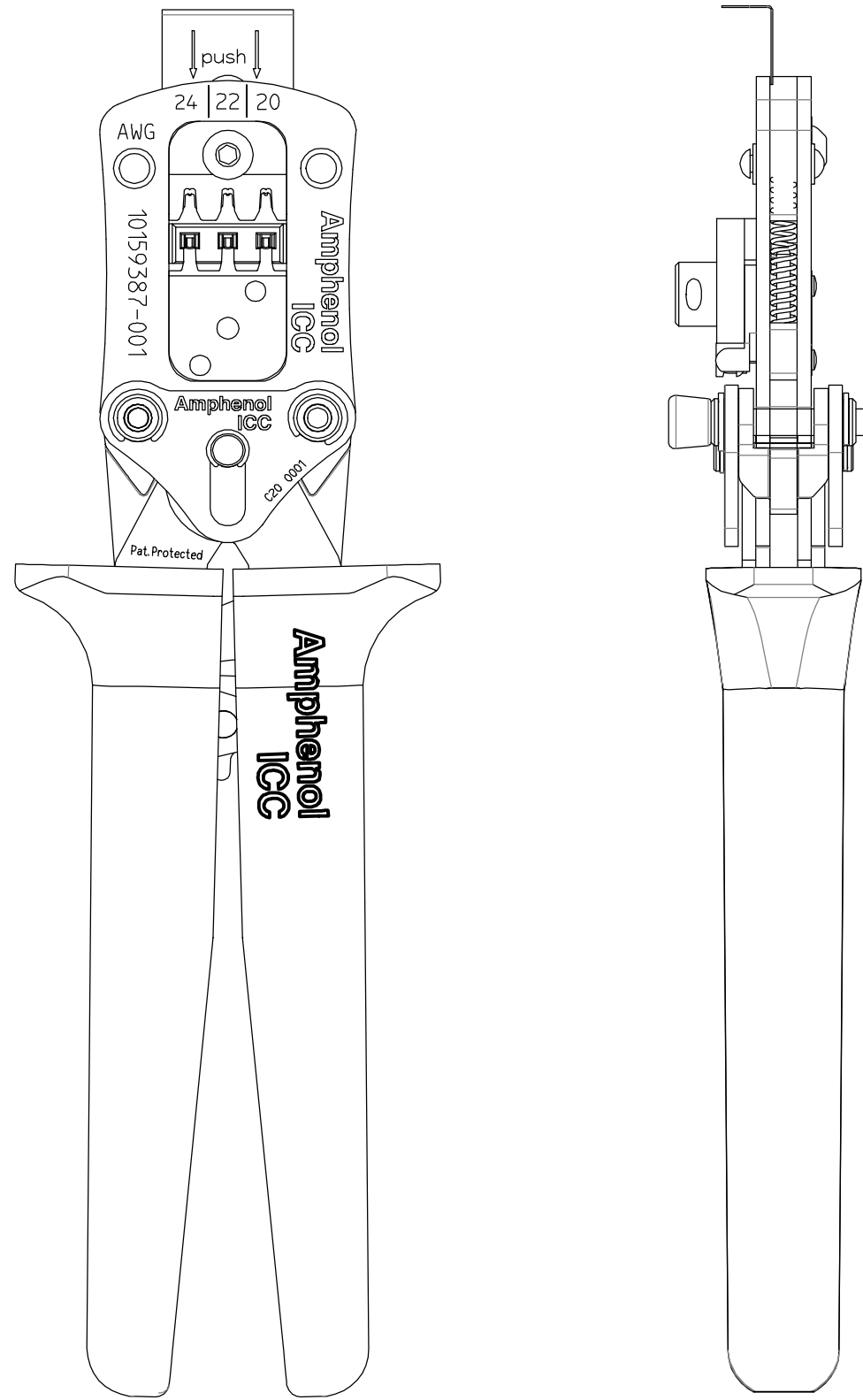


PART NUMBER  
10159387-001

NOTE:  
TERMINAL HAND CRIMPING TOOL

1. AWG RANGE : 20 - 24 AWG
2. FOR CRIMP DETAILS PLEASE REFER APPLICATION SPEC : GS-20-0399



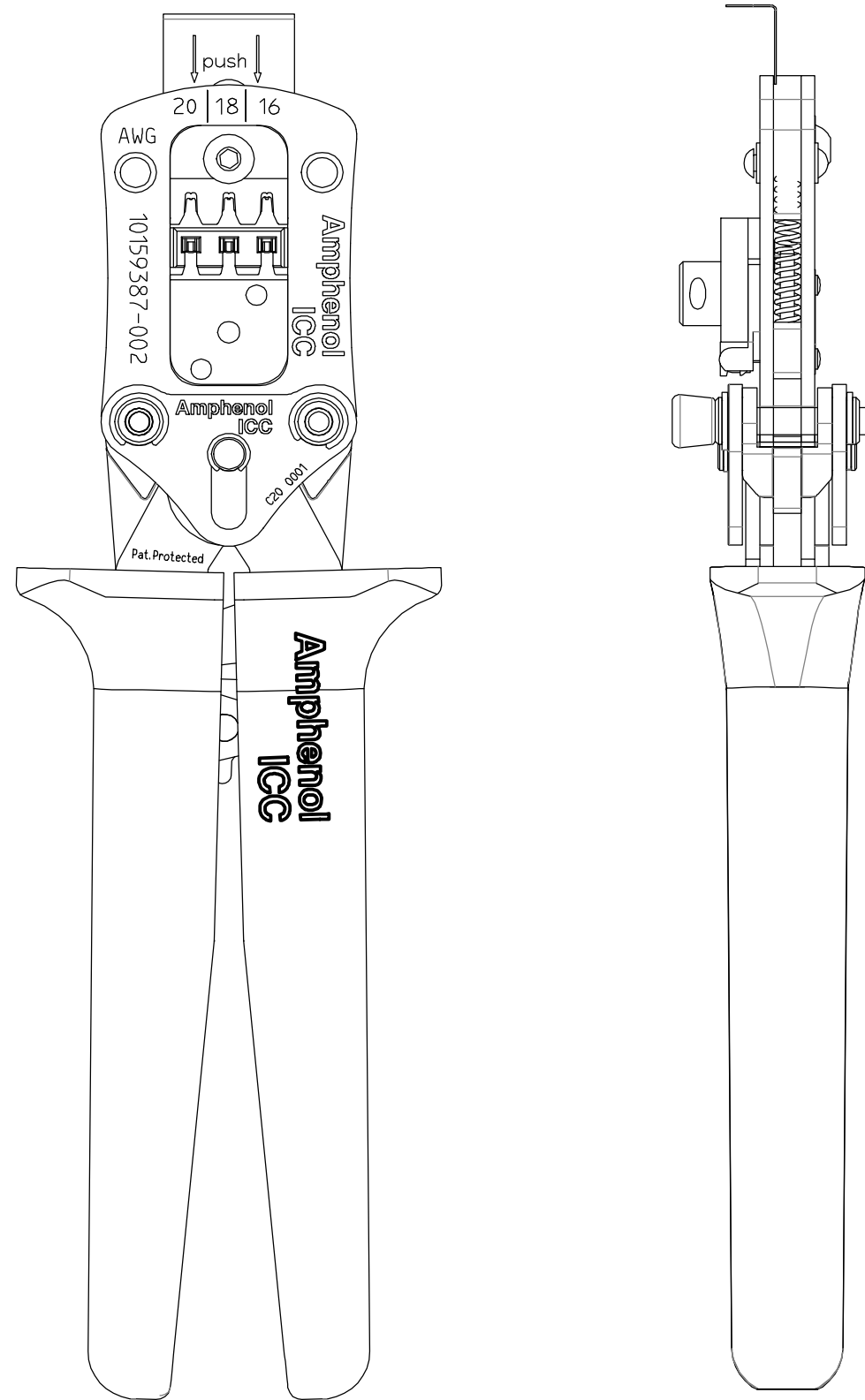
APPLICATION RANGE:

TOOL PART NUMBER	AWG RANGE	TERMINAL SERIES	TERMINAL PART NUMBER	CONDUCTOR CRIMP HEIGHT	CONDUCTOR CRIMP WIDTH	INSULATION CRIMP HEIGHT	INSULATION CRIMP WIDTH
10159387-001	20	10127719 10127718	10127719-00XXLF 10127718-00XXLF	0.92-0.98	1.30-1.40	1.85REF	1.70REF
	22			0.77-0.83	1.30-1.40	1.80REF	1.75REF
	24			0.82-0.88	1.25-1.35	1.85REF	1.75REF

mat'l. code		surface ISO 1302 <input checked="" type="checkbox"/>		tolerance ISO 406 ISO 1101		projection 		product family MINITEK POWER	
ltr	ecn no	dr	date	tolerances unless otherwise specified				title	
A	-	LEJO	2022-04-11	angles	linear	.0±0.30	mm	HAND CRIMPING TOOL	
				0°±2'		.00±0.20	scale 1:1	FOR MINITEK POWER 3.0 TERMINALS	
				dr	LEJO RAJU	2022-04-11	<b>Amphenol FCi</b>	dwg no	
				enr	MITHUN PAUL	2022-04-11		sheet 1 of 5	
				chr	MITHUN PAUL	2022-04-11		10159387	
				app	SPK	2022-04-11		A3	
sheet index		revision sheet	A 1	A 2	A 3	A 4	A 5	type Product Customer Drawing	

PART NUMBER  
10159387-002

NOTE:  
TERMINAL HAND CRIMPING TOOL  
1. AWG RANGE : 16 – 20 AWG  
2. FOR CRIMP DETAILS PLEASE REFER  
APPLICATION SPEC : GS-20-0399



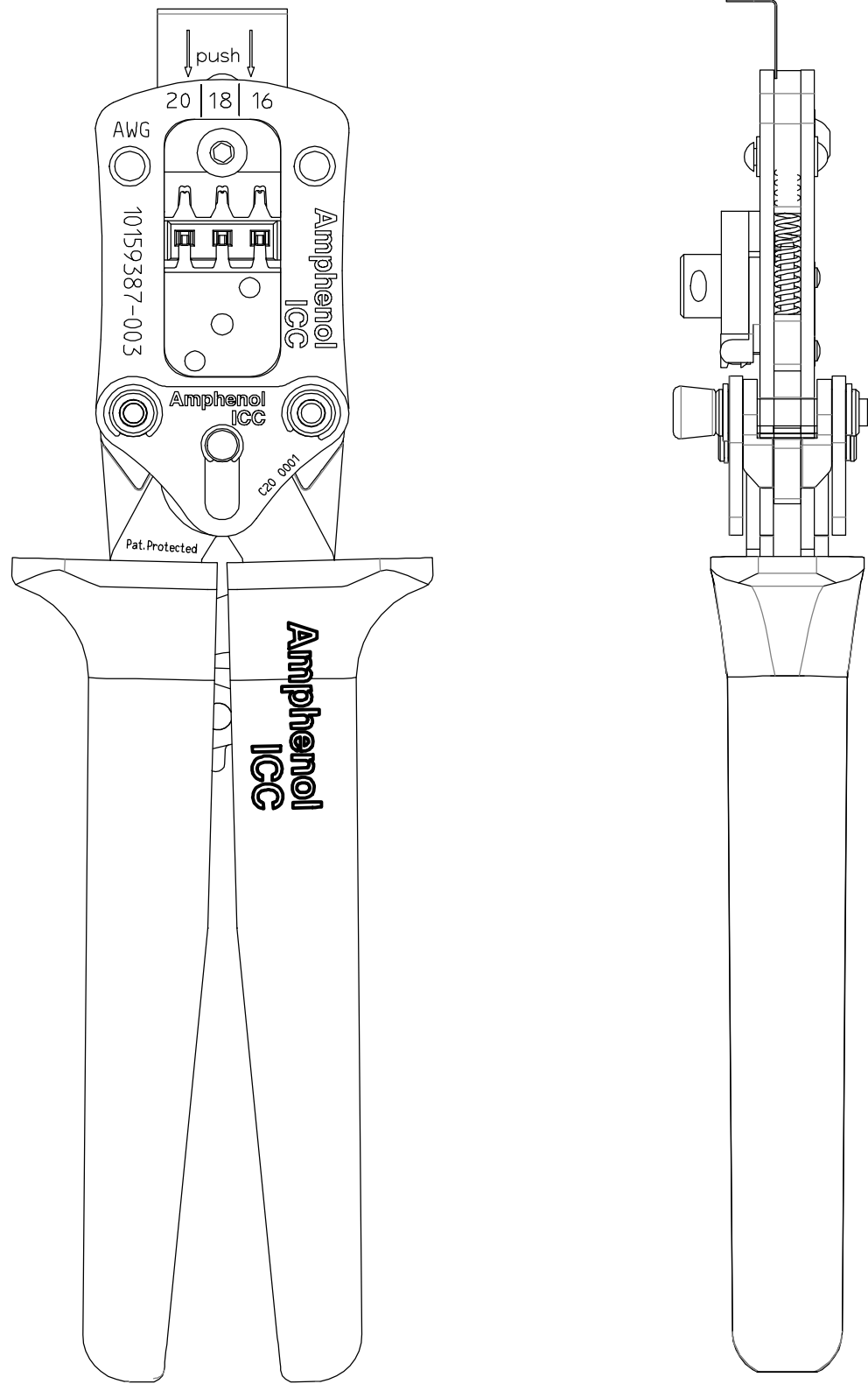
APPLICATION RANGE:

TOOL PART NUMBER	AWG RANGE	TERMINAL SERIES	TERMINAL PART NUMBER	CONDUCTOR CRIMP HEIGHT	CONDUCTOR CRIMP WIDTH	INSULATION CRIMP HEIGHT	INSULATION CRIMP WIDTH
10159387-002	16	10132447 10132448	10132447-00XXLF 10132448-00XXLF	1.20-1.30	1.80-1.90	2.35REF	2.40REF
	18			1.05-1.15	1.80-1.90	2.35REF	2.10REF
	20			1.00-1.10	1.60-1.70	2.15REF	1.75REF

mat'l. code		surface ISO 1302 <input checked="" type="checkbox"/> ISO 406		tolerance ISO 1101		projection 		product family MINITEK POWER	
ltr	ecn no	dr	date	tolerances unless otherwise specified		mm 		title HAND CRIMPING TOOL FOR MINITEK POWER 3.0 TERMINALS	
				angles	linear	.0±0.30	Amphenol FCi	dwg no 10159387	
				0°±2'		.00±0.20		sheet 2 of 5	
						.000±0.10		A3	
				dr	LEJO RAJU	2022-04-11		type Product Customer Drawing	
sheet index		revision sheet	A 1	A 2	A 3	A 4	A 5		

PART NUMBER  
10159387-003

NOTE:  
TERMINAL HAND CRIMPING TOOL  
1. AWG RANGE : 16 - 20 AWG  
2. FOR CRIMP DETAILS PLEASE REFER  
APPLICATION SPEC : GS-20-0399



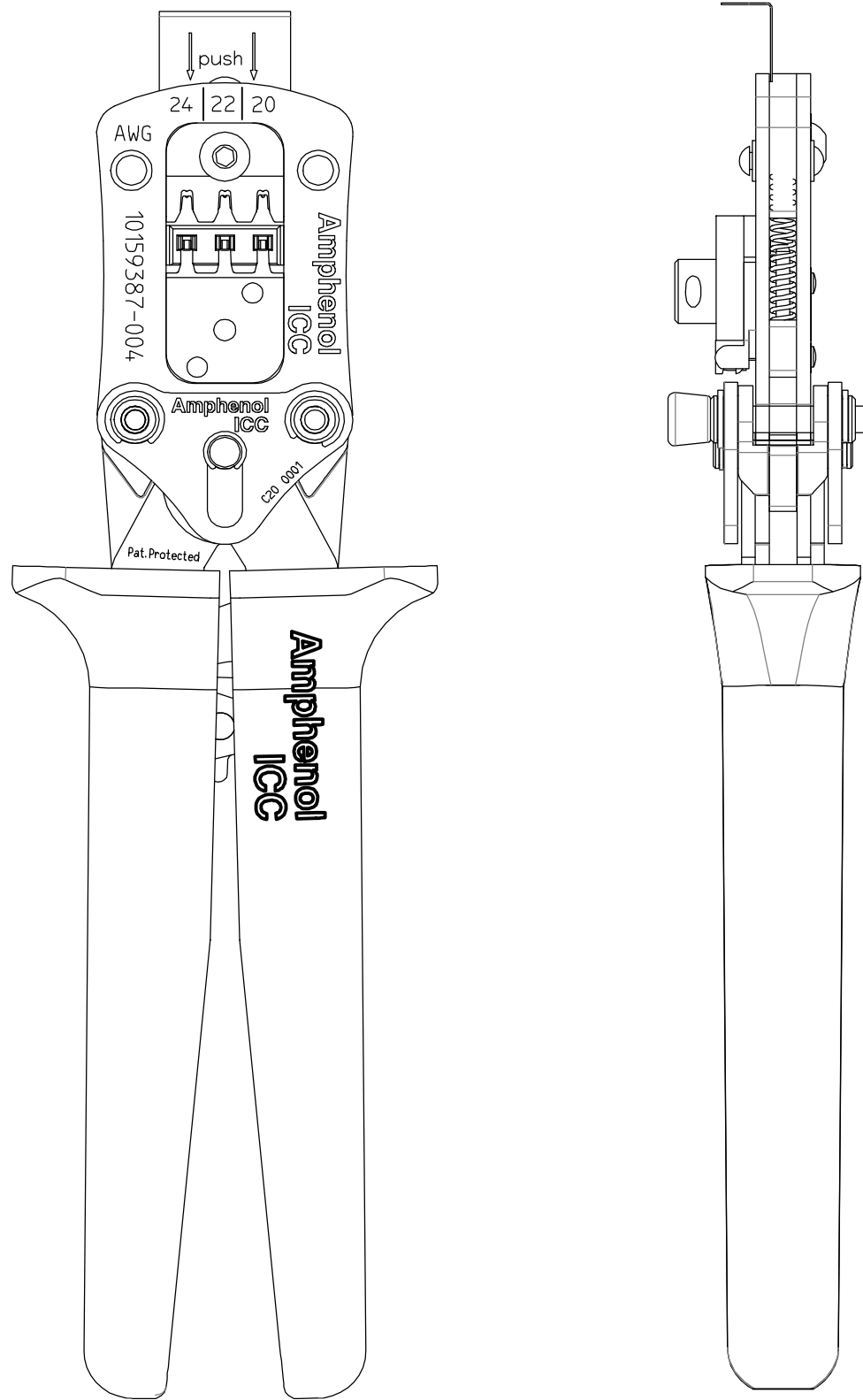
APPLICATION RANGE:

TOOL PART NUMBER	AWG RANGE	TERMINAL SERIES	TERMINAL PART NUMBER	CONDUCTOR CRIMP HEIGHT	CONDUCTOR CRIMP WIDTH	INSULATION CRIMP HEIGHT	INSULATION CRIMP WIDTH
10159387-003	16	10134160	10134160-YX10LF	1.19-1.25	1.76-1.86	2.33REF	2.31REF
	18			1.03-1.09	1.74-1.84	2.44REF	2.15REF
	20			0.91-0.97	1.76-1.86	2.01REF	1.77REF

mat'l. code		surface ISO 1302 <input checked="" type="checkbox"/> ISO 406 ISO 1101		tolerance ISO 1101		projection 		product family MINITEK POWER	
ltr	ecn no	dr	date	tolerances unless otherwise specified				title HAND CRIMPING TOOL FOR MINITEK POWER 3.0 TERMINALS	
				angles	linear	scale 1:1		dwg no 10159387	
				0°±2'	.0±0.30 .00±0.20 .000±0.10	Amphenol FCi		sheet 3 of 5 A3	
				dr	LEJO RAJU	2022-04-11	type Product Customer Drawing		
				enr	MITHUN PAUL	2022-04-11			
				chr	MITHUN PAUL	2022-04-11			
				app	SPK	2022-04-11			
sheet index	revision sheet	A 1	A 2	A 3	A 4	A 5			

PART NUMBER  
10159387-004

NOTE:  
TERMINAL HAND CRIMPING TOOL  
1. AWG RANGE : 20 - 24 AWG  
2. FOR CRIMP DETAILS PLEASE REFER  
APPLICATION SPEC : GS-20-0399



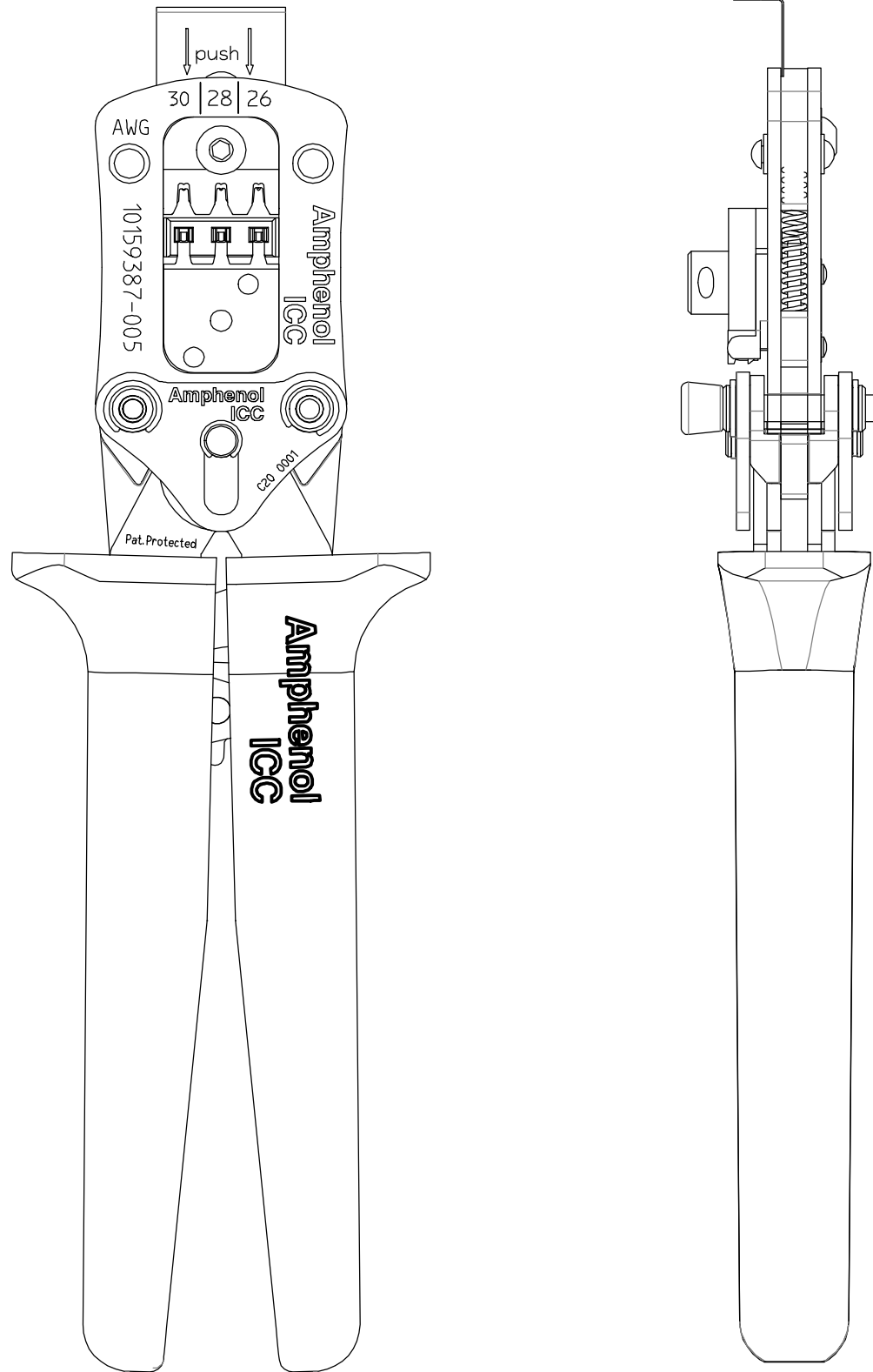
APPLICATION RANGE:

TOOL PART NUMBER	AWG RANGE	TERMINAL SERIES	TERMINAL PART NUMBER	CONDUCTOR CRIMP HEIGHT	CONDUCTOR CRIMP WIDTH	INSULATION CRIMP HEIGHT	INSULATION CRIMP WIDTH
10159387-004	20	10134160	10134160-YX20LF	0.87-0.93	1.30-1.40	1.70REF	1.70REF
	22			0.77-0.83	1.30-1.40	1.70REF	1.70REF
	24			0.72-0.78	1.30-1.40	1.75REF	1.75REF

mat'l. code		surface ISO 1302 <input checked="" type="checkbox"/> ISO 406		tolerance ISO 1101		projection 		product family MINITEK POWER	
ltr	ecn no	dr	date	tolerances unless otherwise specified		mm 		title HAND CRIMPING TOOL FOR MINITEK POWER 3.0 TERMINALS	
				angles	linear	scale 1:1		dwg no 10159387	
				0°±2'	.0±0.30 .00±0.20 .000±0.10	Amphenol FCi		sheet 4 of 5 A3	
				dr	LEJO RAJU	2022-04-11	type Product Customer Drawing		
				enr	MITHUN PAUL	2022-04-11			
				chr	MITHUN PAUL	2022-04-11			
				app	SPK	2022-04-11			
sheet index	revision sheet	A 1	A 2	A 3	A 4	A 5			

PART NUMBER  
10159387-005

NOTE:  
TERMINAL HAND CRIMPING TOOL  
1. AWG RANGE : 26 - 30 AWG  
2. FOR CRIMP DETAILS PLEASE REFER  
APPLICATION SPEC : GS-20-0399



APPLICATION RANGE:

TOOL PART NUMBER	AWG RANGE	TERMINAL SERIES	TERMINAL PART NUMBER	CONDUCTOR CRIMP HEIGHT	CONDUCTOR CRIMP WIDTH	INSULATION CRIMP HEIGHT	INSULATION CRIMP WIDTH
10159387-005	26	10134160 10127718	10134160-YX30LF 10127718-10XXLF	0.67-0.73	1.05-1.15	1.30REF	1.40REF
	28			0.67-0.73	1.05-1.15	1.30REF	1.40REF
	30			0.67-0.73	1.05-1.15	1.35REF	1.40REF

mat'l. code		surface ISO 1302 <input checked="" type="checkbox"/> ISO 406		tolerance ISO 1101		projection 		product family MINITEK POWER	
ltr	ecn no	dr	date	tolerances unless otherwise specified		mm 		title HAND CRIMPING TOOL FOR MINITEK POWER 3.0 TERMINALS	
				angles	linear	.0±0.30	scale 1:1	Amphenol FCi	dwg no 10159387
				0°±2'		.00±0.20			
						.000±0.10			
		dr	LEJO RAJU	2022-04-11			sheet 5 of 5		size A3
		enr	MITHUN PAUL	2022-04-11			type Product Customer Drawing		
		chr	MITHUN PAUL	2022-04-11					
		app	SPK	2022-04-11					
sheet index	revision sheet	A	A	A	A	A			
		1	2	3	4	5			