

PRODUCT DESCRIPTION CODE :

10159808-AY02K LF

RoHS COMPATIBLE, SEE NOTE 4

FOR CUSTOMER CODE :
 BLANK = GENERAL USE
 V = CUSTOMER DEDICATED PART

PACKAGING :
 K = TAPE & REEL

NUMBER OF POSITIONS : 02

CODING TYPE :

BLANK = NEUTRAL BLACK COLOR
 A = CODING A BLACK COLOR
 B = CODING B BLACK COLOR
 C = CODING B NATURAL COLOR

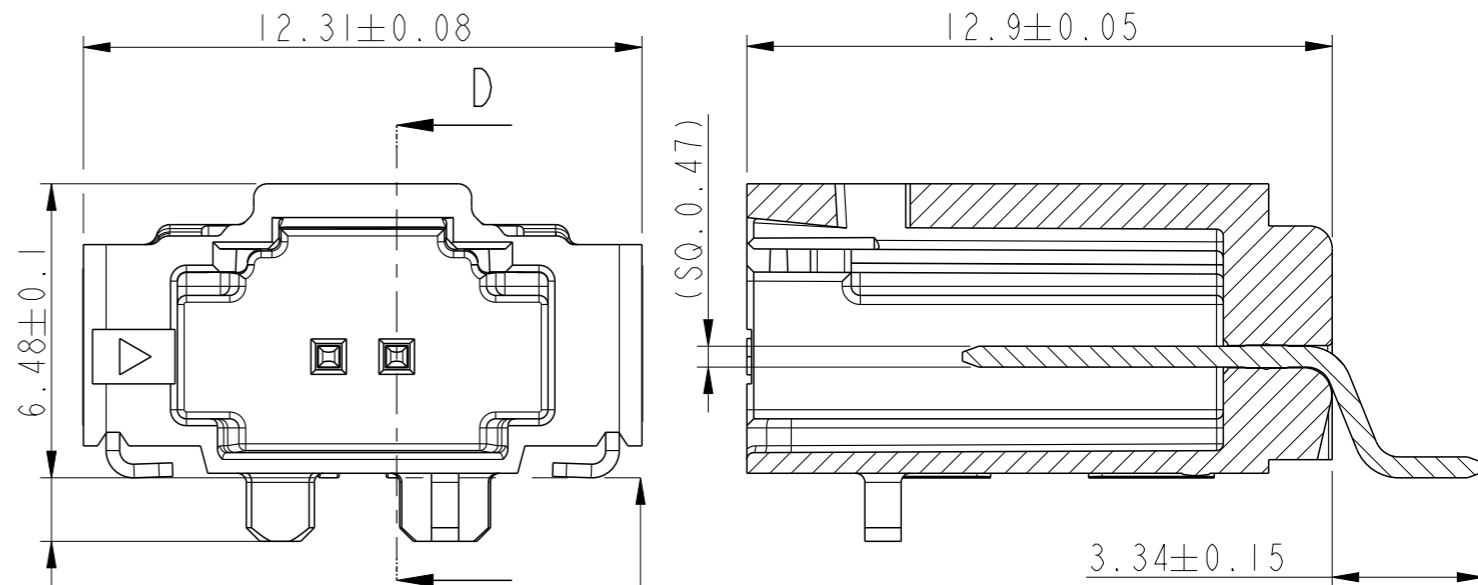
PLATING :

1 = 3µm MIN MATTE TIN (PREPLATED)
 2 = 3µm MIN MATTE TIN (POST-PLATED)
 3 = 0.76µm MIN GOLD (CONTACT AREA)
 ALL OVER 1.27µm MIN NICKEL UNDERLAYER

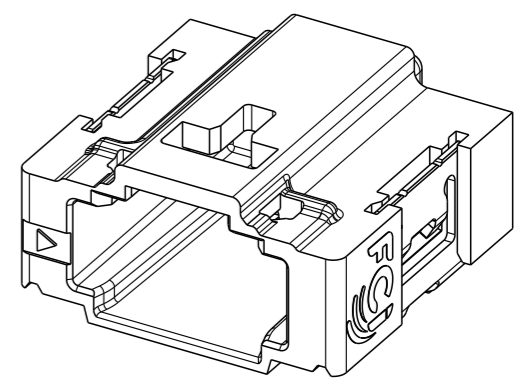
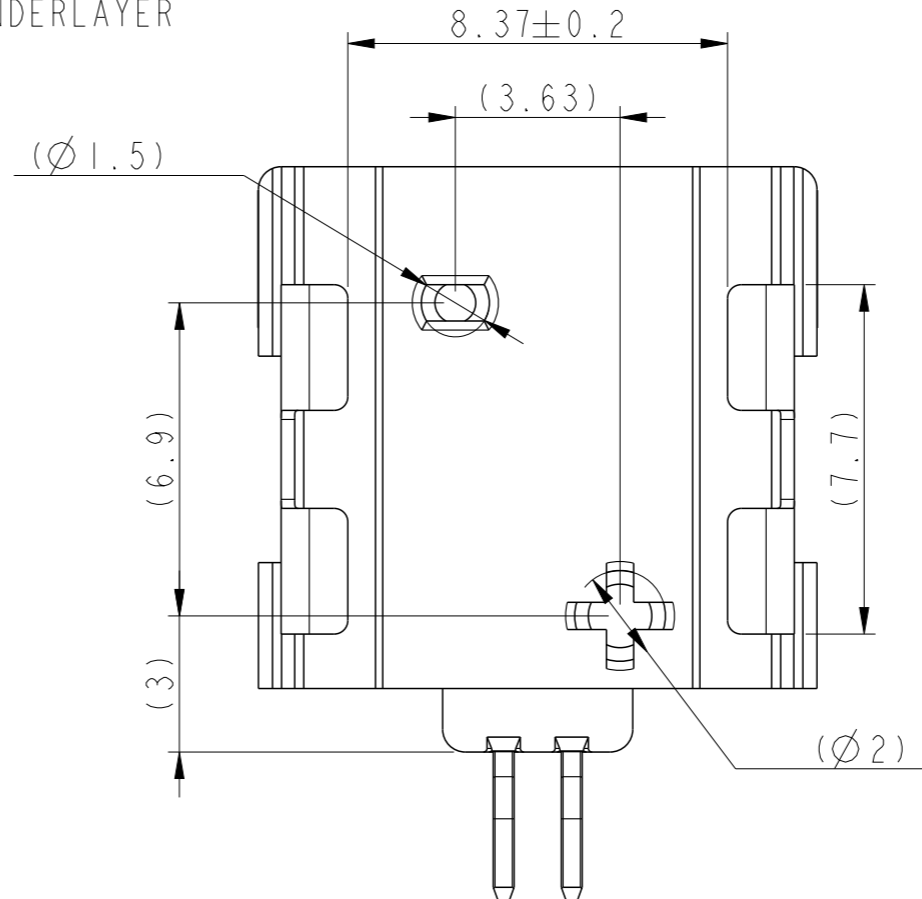
NOTES:

- 1 - MATERIAL:
 HOUSING : HIGH TEMPERATURE THERMOPLASTIC UL94 V-0

 PIN : HIGH CURRENT COPPER ALLOY
- 2 - TO BE MATED WITH MINITEK µSPACE RECEPTACLE SERIES 10156818.
- 3 - PRODUCT SPECIFICATION : GS-12-1422
 PACKAGING SPECIFICATION : GS-14-2790
- 4 - RoHS COMPATIBLE PRODUCT SPECIFICATIONS
 - a - PLATING:
 "LF" MEANS THE PRODUCT IS LEAD FREE,
 3µm MINIMUM MATTE TIN OVER 1.27µm MINIMUM NICKEL UNDERPLATE.
 - b - MANUFACTURING PROCESS COMPATIBILITY:
 THE HOUSING WILL WITHSTAND EXPOSURE TO 260°C PEAK TEMPERATURE FOR 30 SECONDS MAX IN A CONVECTION, INFRA-RED OR VAPOR PHASE OR REFLOW OVEN.
 - c - LABELLING :
 MEETS PACKAGING SPECS AS PER GS-14-920
 - d - LEGAL STATEMENT :
 SEE GS-47-0004.
- 5 - VIEWS WITHOUT NAME CORRESPOND TO THE NEUTRAL CODING

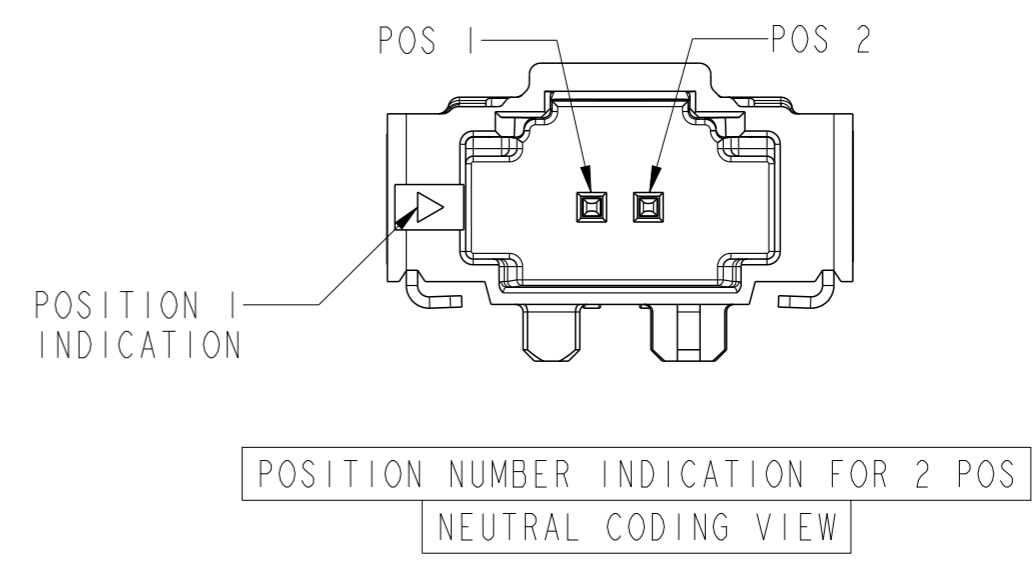
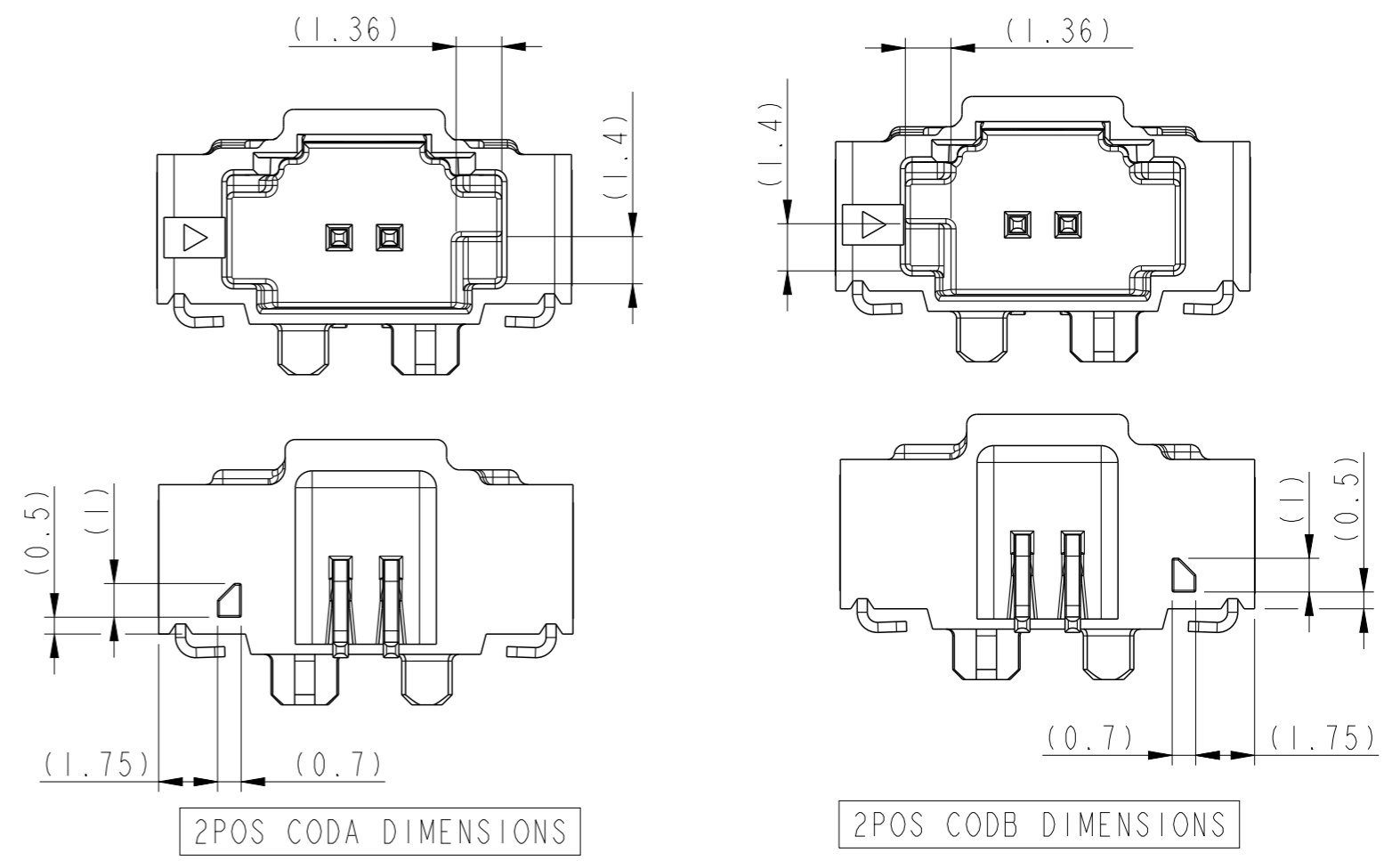
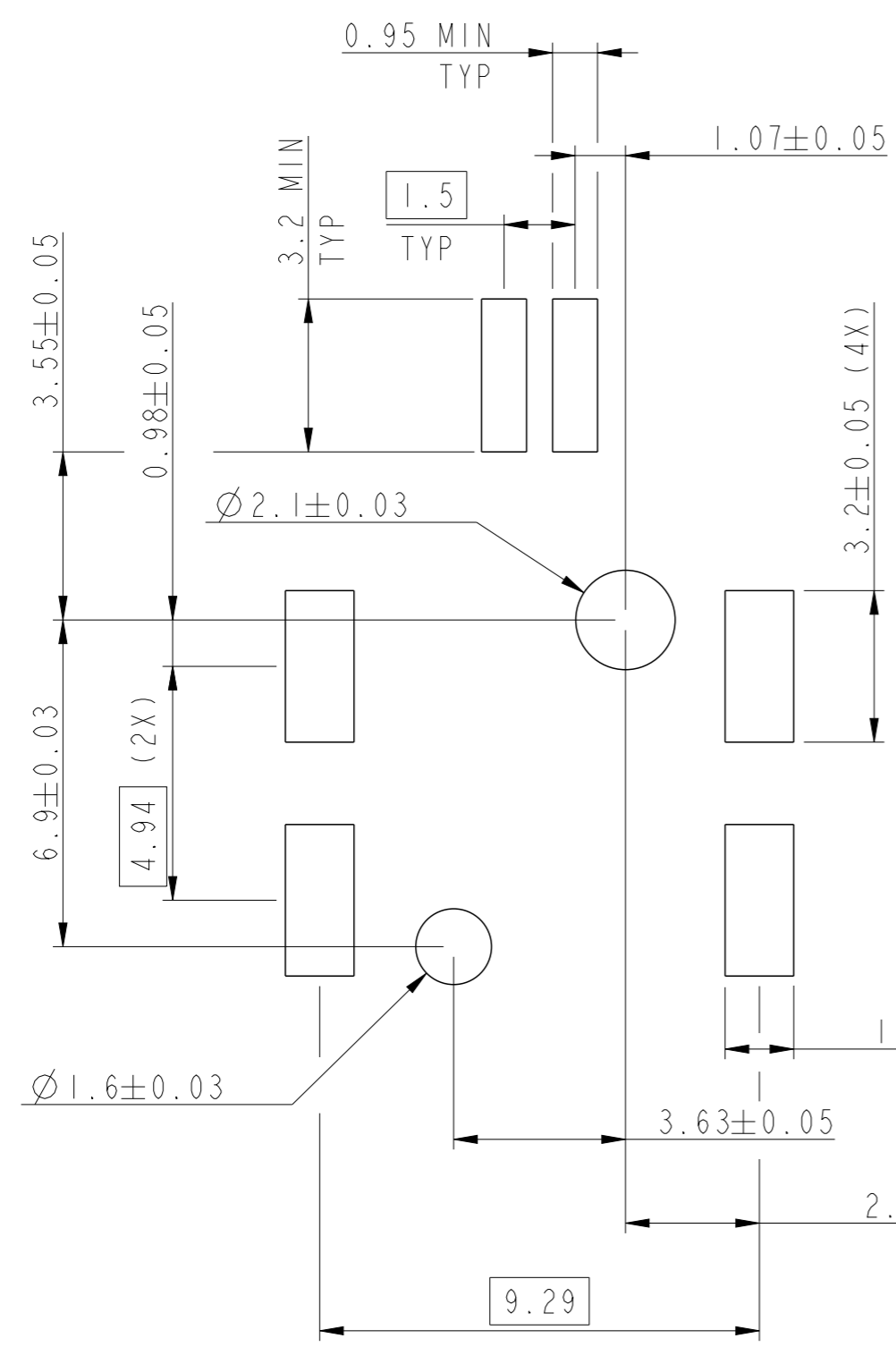


SECTION D-D



SCALE 4:1

spec ref	-	dr	Moisan, Gwenda	2020/08/25	projection	mm	size	A3	scale	6:1	
tolerance std	ISO 406 ISO 1101	eng	Moisan, Gwenda	2024/02/27			ecn no	ELX-F-42200-1			
TOLERANCES UNLESS OTHERWISE SPECIFIED		chr	Cyril Jeune	2021/09/01			rel level	Released			
surface	linear	appr	Vallière, Jérôme	2021/09/02	product family	dwg no		10159808		rev	E
ISO 1302	angular	Amphenol FCI		HEADER ASSEMBLY		cat. no.		Product - Customer Drw		sheet 1 of 2	
	0.X ±0.3	MINITEK µSPACE STS 1.5 TOP LATCH		PDS: Rev :E		STATUS:Released		Printed: Feb 28, 2024			
	0.XX ±0.10										
	0.XXX ±0.05										
	0° ±2°										



spec ref	-	dr	Moisan, Gwenda	2020/08/25	projection	mm	size	A3	scale	7:1		
tolerance std	ISO 406 ISO 1101	eng	Moisan, Gwenda	2024/02/27			ecn no	ELX-F-42200-1				
TOLERANCES UNLESS OTHERWISE SPECIFIED		chr	Cyril Jeune	2021/09/01			rel level	Released				
surface	linear	0.X	± 0.3	Amphenol FCi	product family		HEADER ASSEMBLY MINITEK μ SPACE STS 1.5 TOP LATCH		dwg no	10159808	rev	E
		0.XX	± 0.10		cat. no.	Product - Customer Drw		sheet 2 of 2				
	angular	0°	$\pm 2^\circ$		PDS: Rev :E		STATUS:Released		Printed: Feb 28, 2024			