

SECTION D-D

NOTE

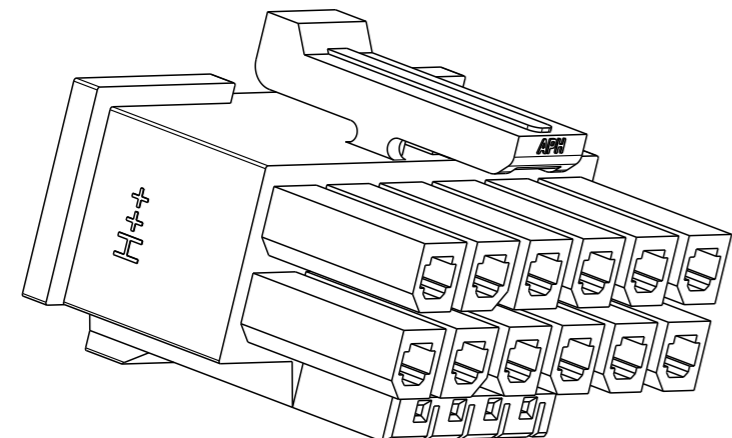
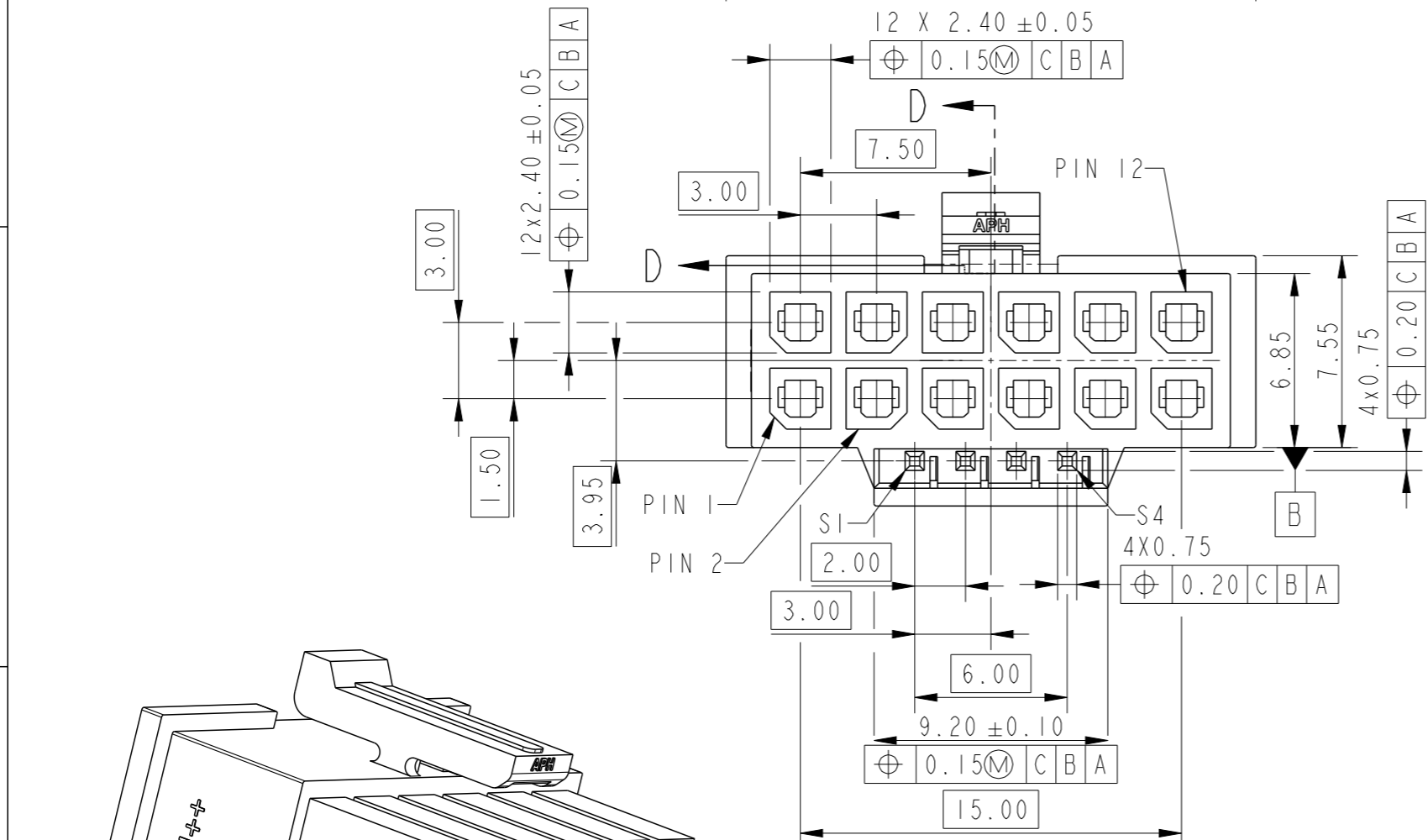
1. HOUSING MATERIAL : NYLON 66, UNFILLED, HALOGEN FREE, UL94V-0
2. HOUSING COLOUR : BLACK, GLOW WIRE COMPATIBLE
3. REFER GS-20-0704 APPLICATION SPECIFICATION FOR MATING CONNECTOR
4. PRODUCT SPECIFICATION: GS-12-1706
5. PACKAGE SPECIFICATION: GS-14-2802
6. APPLICATION SPECIFICATION: GS-20-0704
7. IN ACCORDANCE WITH PCIE SPECIFICATION REV 5.1, VER 1
8. LEAD FREE PRODUCTS MEET EUROPEAN UNION DIRECTIVES AND OTHER COUNTRY REGULATIONS AS DESCRIBED IN GS-47-0004.
9. PART NUMBER LOGIC

10161719-XX X X LF

NO. OF POWER POSITIONS
12 → 12 PINS

NO. OF SIGNAL POSITIONS
4 → 4 PINS

MATERIAL
G → PA66, GLOW WIRE COMPATIBLE, BLACK



spec ref	dr	Akhil Rajan	2021/06/28	projection	MM	size	A3	scale	3:1
tolerance std	eng	Vipin M-G	2024/03/28			ecn no	ELX-I-48539-2	rel level	Released
ISO 406 ISO 1101	chr	-	-						
surface	appr	Paul Mithun	2024/03/28	Amphenol FCI		CABLE RECEPTACLE HOUSING MINITEK PWR CEM-5 12V-2x6		rev E	
ISO 1302	linear	0.X	±0.25	amphenol-icc.com	cat. no.	-	Product - Customer Drw	sheet 1 of 1	
	angular	0°	±2°						