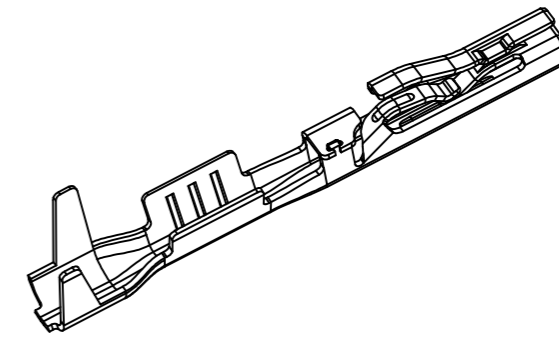
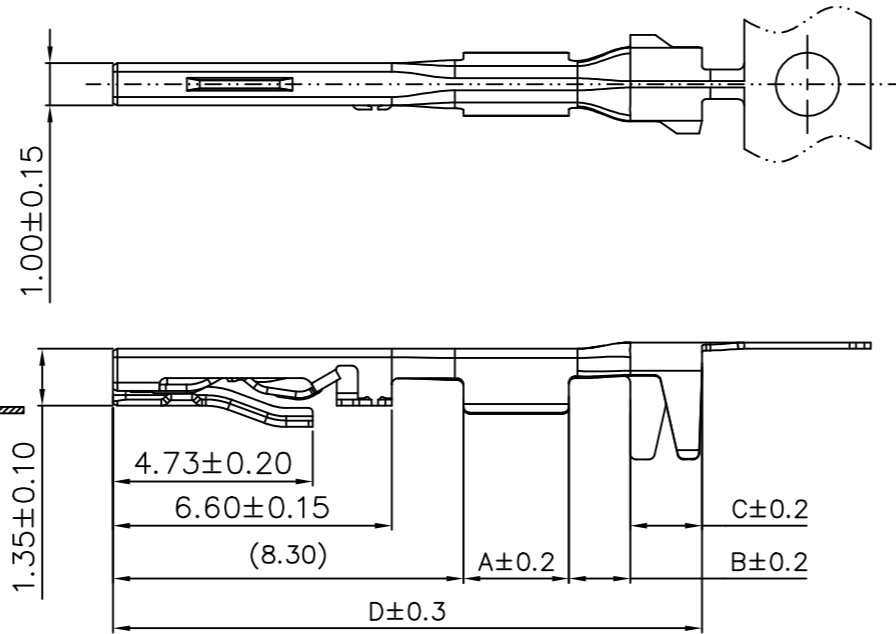
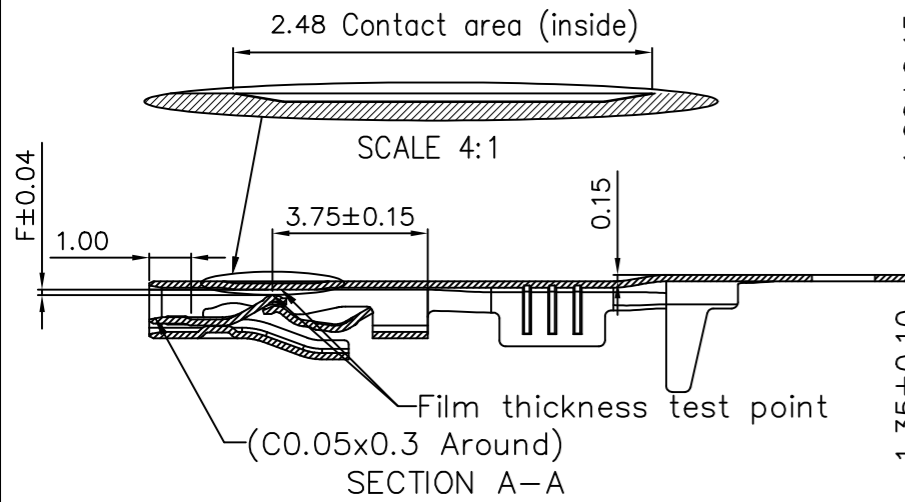


PART NUMBER

10163003-00XLF



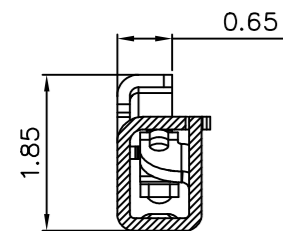
3D VIEW

NOTES:

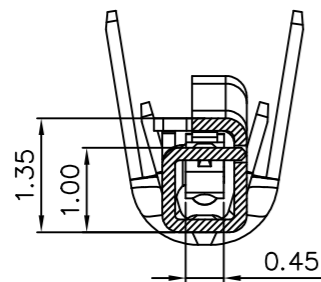
1. MATERIAL: C7025 TM03, T=0.15±0.01mm
2. FINISHED: REFER TO P/N SYSTEM.
3. UNLESS OTHERWISE SPECIFIED, ALL INNER RADII ARE R0.10mm.
4. DIMENSIONING SHALL BE INTERPRETED PER ASME Y14.5-2009.
5. PART NUMBER: 10163003 - 0 0 X LF

CONTACT PLATING:
0=2.2~5um Hot-Dip Pure Tin

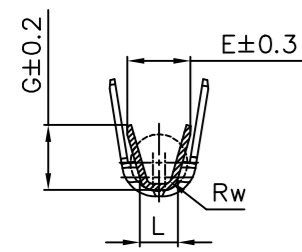
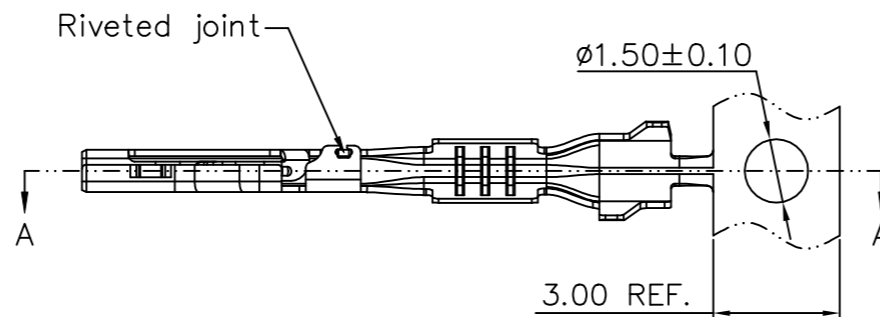
WIRE SIZE RANGE:
1=0.13 to 0.17mm²
2=0.22 to 0.35mm²
RESERVE NUMBER



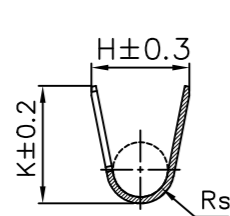
SECTION C-C
SCALE 2:1



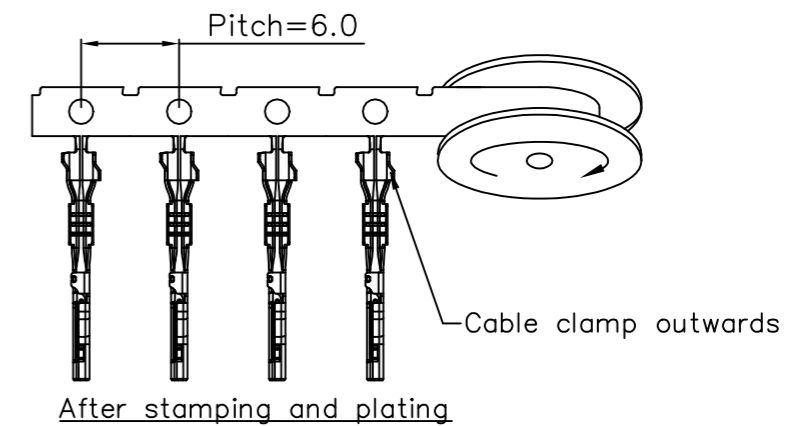
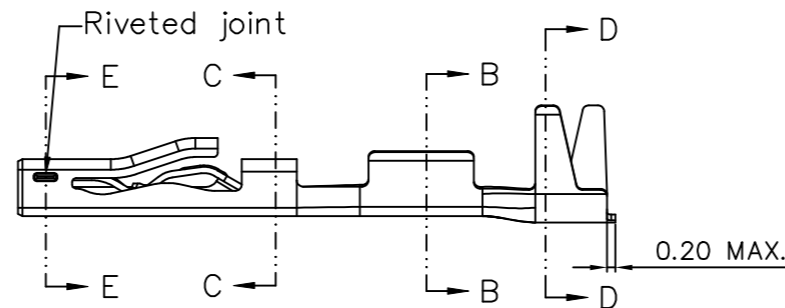
SECTION E-E
SCALE 2:1



SECTION B-B



SECTION D-D



10163003-002LF	0.22 to 0.35	A=2.50	Rw=0.15	Rs=0.50 H=1.9 K=1.9	0.14
		B=1.45	E=1.7		
		C=1.7	G=1.5		
		D=13.95	L=1.05		
10163003-001LF	0.13 to 0.17	A=2.50	Rw=0.15	Rs=0.45 H=1.9 K=1.8	0.14
		B=1.45	E=1.6		
		C=1.7	G=1.15		
PART NUMBER	WIRE SIZE RANGE [mm ²]	LENGTH	DRAHTCRIMP WIRE CRIMP [mm]	SO CRIMP INSULATION CRIMP [mm]	F [GAP]

mat'l. code		surface	tolerance	projection	product family
		ISO 1302	ISO 406/ISO 1101		HPL649
		tolerances unless otherwise specified		mm	title
A	-	DW	7/18/2022	angles	CABLE TERMINAL
B	ELX-N-47400	JH	2/02/2023	linear	WireLock Series Cable Kits
				0°±2'	scale 1:1
				dr	NICK ZHANG 05/22/19
				enr	NICK ZHANG 05/22/19
				chr	ZK HU 05/22/19
				appd	TIM YAO 05/22/19
sheet index	revision	B			Amphenol FCI
	sheet	1			dwg no
					sheet 1 of 1
					size
					10163003
					A4
					type
					Product Customer Drawing