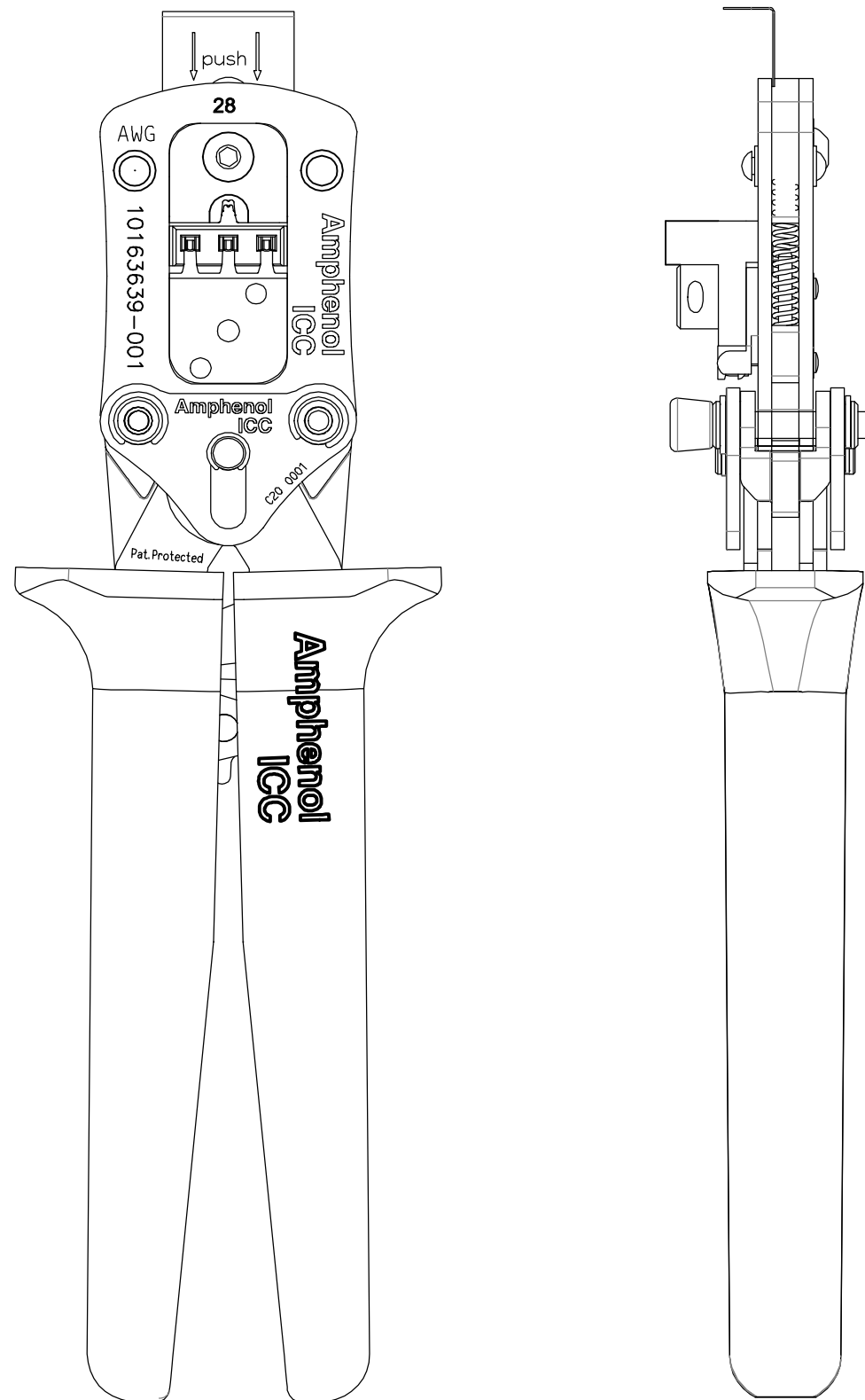


PART NUMBER  
10163639-001

NOTE:  
TERMINAL HAND CRIMPING TOOL

1. AWG RANGE : 28 AWG
2. FOR CRIMP DETAILS PLEASE REFER APPLICATION SPEC : GS-20-0704



APPLICATION RANGE:

TOOL PART NUMBER	AWG RANGE	TERMINAL SERIES	TERMINAL PART NUMBER	CONDUCTOR CRIMP HEIGHT	CONDUCTOR CRIMP WIDTH	INSULATION CRIMP HEIGHT	INSULATION CRIMP WIDTH
10163639-001	28	10161952	10161952-YXXXLF	0.55-0.65	0.98-1.08	1.53REF	1.50REF

mat'l. code		surface ISO 1302 <input checked="" type="checkbox"/>		tolerance ISO 406 ISO 1101		projection 		product family MINITEK POWER		
ltr	ecn no	dr	date	tolerances unless otherwise specified				title		
A	-	VIPIN	2022-08-23	angles	linear	scale 1:1		HAND CRIMPING TOOL FOR MINITEK POWER PCIE TERMINALS		
				0°±2'				dwg no		
				dr	VIPIN M.G	2022-08-23			sheet 1 of 1	
				enr	MITHUN PAUL	2022-08-23			10163639	
				chr	MITHUN PAUL	2022-08-23			A3	
				app	SPK	2022-08-23			type Product Customer Drawing	
sheet index	revision sheet	A	1							