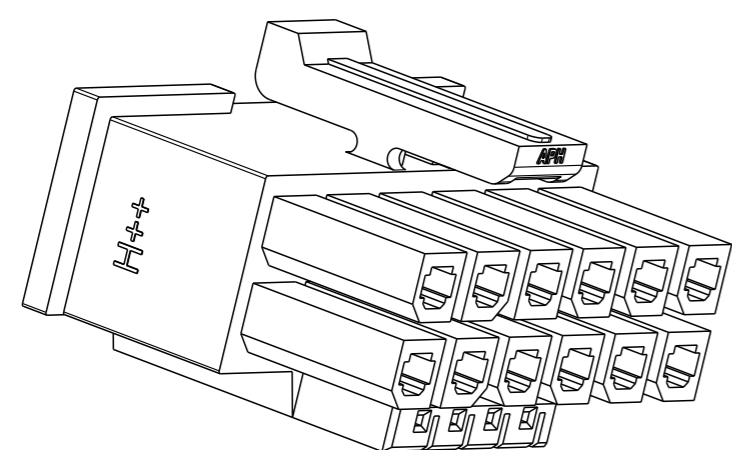


NOTE

- HOUSING MATERIAL: NYLON 66, UNFILLED, HALOGEN FREE, UL94V-0
HOUSING COLOR : BLACK, GLOW WIRE COMPATIBLE
- REFER GS-20-0704 APPLICATION SPECIFICATION FOR MATING CONNECTOR
- PRODUCT SPECIFICATION : GS-12-1706
- PACKAGE SPECIFICATION : GS-14-2802
- APPLICATION SPECIFICATION : GS-20-0704
- IN ACCORDANCE WITH PCIE SPECIFICATION REV 5.1, VER 1
- LEAD FREE PRODUCTS MEET EUROPEAN UNION DIRECTIVES AND OTHER COUNTRY REGULATIONS AS DESCRIBED IN GS-47-0004.
- PART NUMBER LOGIC

10168565-XX X X LF

NO. OF POWER POSITIONS → 12 → 12 PINS
 NO. OF SIGNAL POSITIONS → 4 → 4 PINS
 MATERIAL → PA66, GLOW WIRE COMPATIBLE, BLACK



spec ref	dr	Nithin N-C	2023/05/09	projection	MM	size	A3	scale	3:1	
tolerance std	eng	Vipin M-G	2023/12/21			ecn no	ELX-I-50069-2			
ISO 406 ISO 1101	chr	-	product family				MINITEK PWR	rel level	Released	
surface	appr	Paul Mithun	2023/12/21			dwg no	10168565		rev	B
ISO 1302	linear	0.X ±0.25 0.XX ±0.20 0.XXX ±	angular	0° ±2°	amphenol-icc.com	cat. no.	-	Product - Customer Drw	sheet 1 of 1	