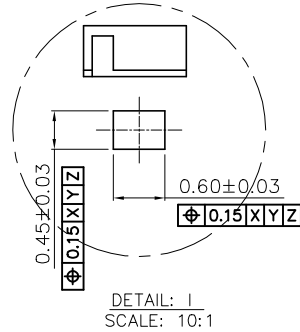
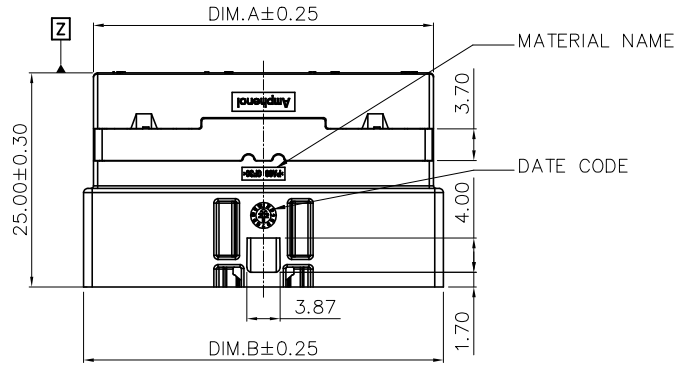


PART NUMBER  
10168908-YXXXLF



NOTES:

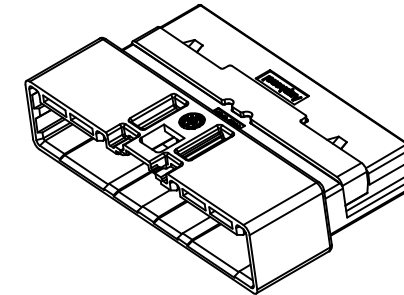
- MATERIAL: THERMOPLASTIC UL94V-0  
COLOR: FOUR COLORS, DETAIL SEE TABLE
- ELECTRICAL CHARACTERISTICS:  
2.1 INSULATOR RESISTANCE: 100MΩ MIN.  
2.2 OPERATION TEMPERATURE: -40 °C ~ +105 °C
- MECHANICAL CHARACTERISTICS:  
3.1 LOCKING FORCE: AT LEAST 100N MIN.  
3.2 DURABILITY : 10 CYCLES.
- LEAD FREE PRODUCT MEETS EUROPEAN UNION DIRECTIVES AND OTHER COUNTRY REGULATIONS AS DISCRIBLED IN GS-22-008.
- PART MUST BE FREE OF SURFACE FLAWS, MAXIMUM BURR 0.10MM.
- PRODUCT SPECITICATION: GS-12-1797.
- PACKAGE SPECITICATION: GS-14-2668.
- PART NUMBER CODE: 10168908-Y XX X X LF

0 - STANDARD

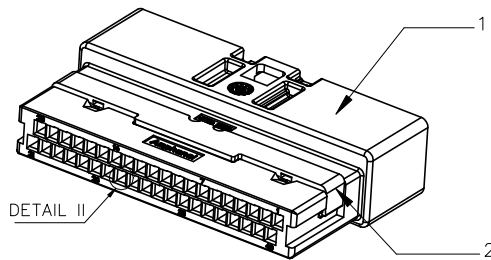
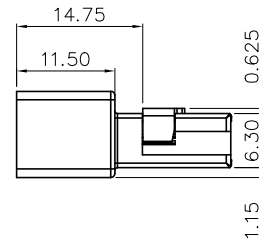
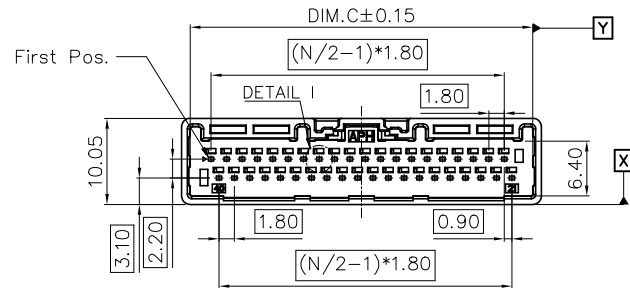
NUMBER OF POSITIONS  
10 - 10 PINS  
12 - 12 PINS  
.....  
40 - 40 PINS

RoHS COMPATABLE  
CODE TYPE  
A - A CODE  
B - B CODE  
C - C CODE  
D - D CODE

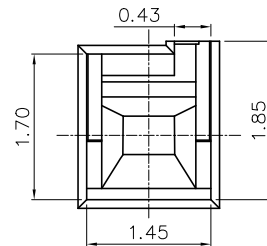
PACKAGING  
K - TRAY PACKAGE  
T - PE BAG PACKAGE



3D VIEW



3D VIEW

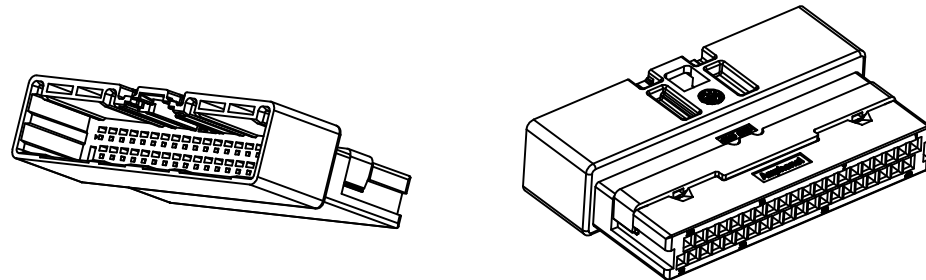


DETAIL: II  
SCALE: 10:1

2	TPA	HIGHT TEMPERATURE THERMOPLASTIC, COLOR, BLACK UL94 V-0	1	
1	HOUSING	HIGHT TEMPERATURE THERMOPLASTIC BLACK OR OTHER UL94 V-0	1	SEE SHEET 2&3
No	Components Description	Material Specifications	Q'ty	Remarks
mat'l. code		surface ISO 1302	tolerance ISO 406/ISO 110	projection
ltr ecn no dr date		tolerances unless otherwise specified		product family HPL649
A	New Release	JW.Z	08/30/22	title MALE CABLE KITS,DUAL ROW,WTW WireLock®1.80mm WTW Series
B	ELX-N-50581	JH	2024/01/31	
		angles	.0±.5	scale 1:1
		linear	.00±.15	
			.000±.010	
		dr	JW ZHANG	08/30/22
		eng	NICK ZHANG	08/30/22
		chr	NICK ZHANG	08/30/22
		app	TIM YAO	08/30/22
sheet index	revision B			type Product Customer Drawing
	sheet 1~3			dwg no 10168908 sheet 1 of 3 size A4

	PART NO.	DIM.A	DIM.B	DIM.C	DIM.D	DIM.E		PART NO.	DIM.A	DIM.B	DIM.C	DIM.D	DIM.E		PART NO.	DIM.A	DIM.B	DIM.C	DIM.D	DIM.E
20Pos	10168908-Y20XALF	21.70	24.00	22.00	13.80	20.78	26Pos	10168908-Y26XALF	27.10	29.40	27.40	13.80	26.18	34Pos	10168908-Y34XALF	34.30	36.60	34.60	13.80	33.38
	10168908-Y20XBLF				16.60	20.78		10168908-Y26XBLF				22.00	26.18		10168908-Y34XBLF				29.20	33.38
	10168908-Y20XCLF				13.80	19.30		10168908-Y26XCLF				13.80	24.70		10168908-Y34XCLF				13.80	31.90
	10168908-Y20XDLF				15.20	19.30		10168908-Y26XDLF				20.60	24.70		10168908-Y34XDLF				27.80	31.90
22Pos	10168908-Y22XALF	23.50	25.80	23.80	13.80	22.58	28Pos	10168908-Y28XALF	28.90	31.20	29.20	13.80	27.98	36Pos	10168908-Y36XALF	36.10	38.40	36.40	13.80	35.18
	10168908-Y22XBLF				18.40	22.58		10168908-Y28XBLF				23.80	27.98		10168908-Y36XBLF				31.00	35.18
	10168908-Y22XCLF				13.80	21.10		10168908-Y28XCLF				13.80	26.50		10168908-Y36XCLF				13.80	33.70
	10168908-Y22XDLF				17.00	21.10		10168908-Y28XDLF				22.40	26.50		10168908-Y36XDLF				29.60	33.70
24Pos	10168908-Y24XALF	25.30	27.60	25.60	13.80	24.38	30Pos	10168908-Y30XALF	30.70	33.00	31.00	13.80	29.78	38Pos	10168908-Y38XALF	37.90	40.20	38.20	13.80	36.98
	10168908-Y24XBLF				20.20	24.38		10168908-Y30XBLF				25.60	29.78		10168908-Y38XBLF				32.80	36.98
	10168908-Y24XCLF				13.80	22.90		10168908-Y30XCLF				13.80	28.30		10168908-Y38XCLF				13.80	35.50
	10168908-Y24XDLF				18.80	22.90		10168908-Y30XDLF				24.20	28.30		10168908-Y38XDLF				31.40	35.50
REMARK, THIS SHEET SHOWS 20Pos. TO 40Pos.							32Pos	10168908-Y32XALF	32.50	34.80	32.80	13.80	31.58	40Pos	10168908-Y40XALF	39.70	42.00	40.00	13.80	38.78
								10168908-Y32XBLF				27.40	31.58		10168908-Y40XBLF				34.60	38.78
								10168908-Y32XCLF				13.80	30.10		10168908-Y40XCLF				13.80	37.30
								10168908-Y32XDLF				26.00	30.10		10168908-Y40XDLF				33.20	37.30

A CODE / COLOR:BLACK	B CODE / COLOR:GREEN;COLOR CODE: RAL6002	C CODE / COLOR:WHITE;COLOR CODE: RAL9001	D CODE /COLOR:BORDEAUX;COLOR CODE:RAL4004
REMARK, THIS SHEET SHOWS 20Pos. TO 40Pos.			



mat'l. code		surface	tolerance	projection	product family	
litr		ISO 1302	ISO 406/ISO 110		HPL649	
ecn no		tolerances unless otherwise specified		mm	title	
dr		angles	linear		MALE CABLE KITS,DUAL ROW,WTW	
date		0°±2°	linear	scale 1:1	WireLock® 1.80mm WTW Series	
		dr	JW ZHANG	08/30/22	dwg no	sheet 2 of 3
		eng	NICK ZHANG	08/30/22	size	
		chr	NICK ZHANG	08/30/22	A4	
		app	TIM YAO	08/30/22	type	
sheet index		revision	B		Product Customer Drawing	
sheet		1~3				

A CODE / COLOR:BLACK					B CODE / COLOR:GREEN;COLOR CODE: RAL6002					C CODE / COLOR:WHITE;COLOR CODE: RAL9001					D CODE /COLOR:BORDEAUX;COLOR CODE:RAL4004					
PART NO.	DIM.A	DIM.B	DIM.C	DIM.E	PART NO.	DIM.A	DIM.B	DIM.C	DIM.E	PART NO.	DIM.A	DIM.B	DIM.C	DIM.E	PART NO.	DIM.A	DIM.B	DIM.C	DIM.E	
14Pos. 10168908-Y14XALF	16.30	18.60	16.60	15.38	16Pos. 10168908-Y16XALF	18.10	20.40	18.40	17.18	18Pos. 10168908-Y18XALF	19.90	22.20	20.20	18.98	10168908-Y18XBLF	17.38	10168908-Y18XCLF	17.53	10168908-Y18XDLF	15.93
10168908-Y14XBLF				13.78					15.58					17.38						
10168908-Y14XCLF				13.93					15.73					17.53						
10168908-Y14XDLF				12.33					14.13					15.93						

A CODE / COLOR:BLACK	
10Pos.	
12Pos.	

	PART NO.	DIM.A	DIM.B	DIM.C	DIM.E
10Pos.	10168908-Y10XALF	12.70	15.00	13.00	11.78
12Pos.	10168908-Y12XALF	14.50	16.80	14.80	13.03

REMARK, FOR 10 Pos. TO 12 Pos., ONLY PROVIDE A CODE.

mat'l. code		surface	tolerance	projection	product family		
ltr		ISO 1302	ISO 406/ISO 110		HPL649		
ecn no		tolerances unless otherwise specified		mm	title		
dr		angles	.0±.5			scale 1:1	MALE CABLE KITS,DUAL ROW,WTW WireLock® 1.80mm WTW Series
date		linear	.00±.15				
		0°±2°	.000±.010	dwg no			
		dr	JW ZHANG 08/30/22	sheet 3 of 3 size			
		eng	NICK ZHANG 08/30/22	10168908			
		chr	NICK ZHANG 08/30/22	A4			
		app	TIM YAO 08/30/22	type			
		Product Customer Drawing					
sheet index	revision	B					
sheet	1~3						