

PRODUCT DESCRIPTION CODE :

10170389-2XX LF

RoHS COMPATIBLE
 FOR CUSTOMER CODE:
 BLANK = GENERAL USE
 V = CUSTOMER DEDICATED PART

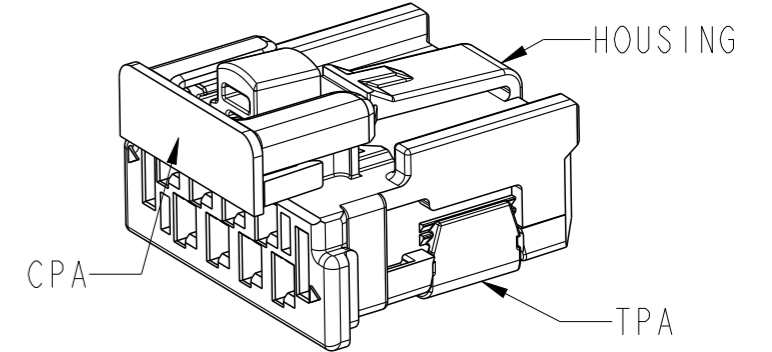
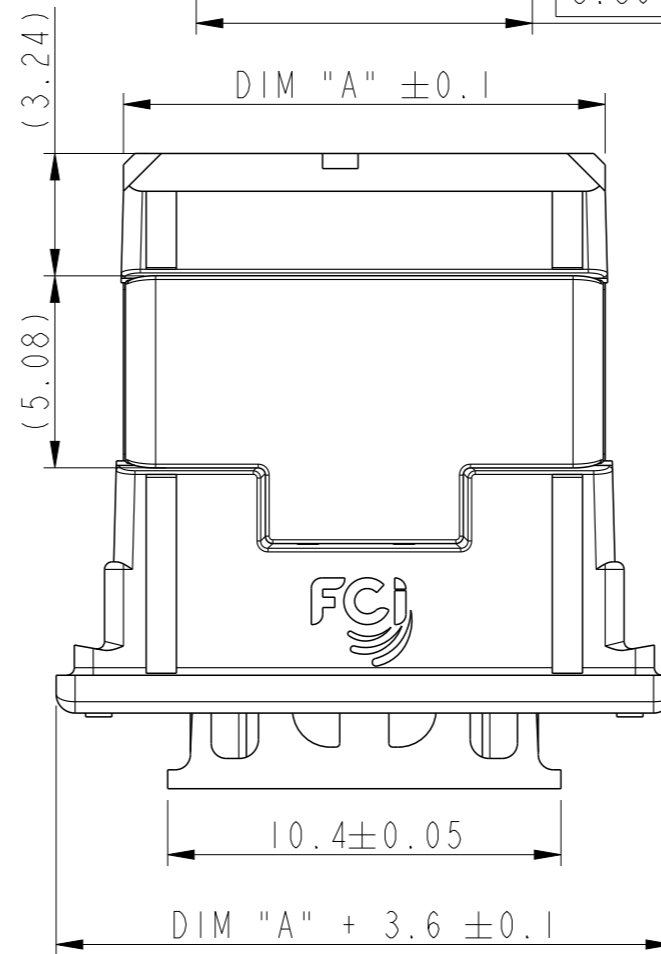
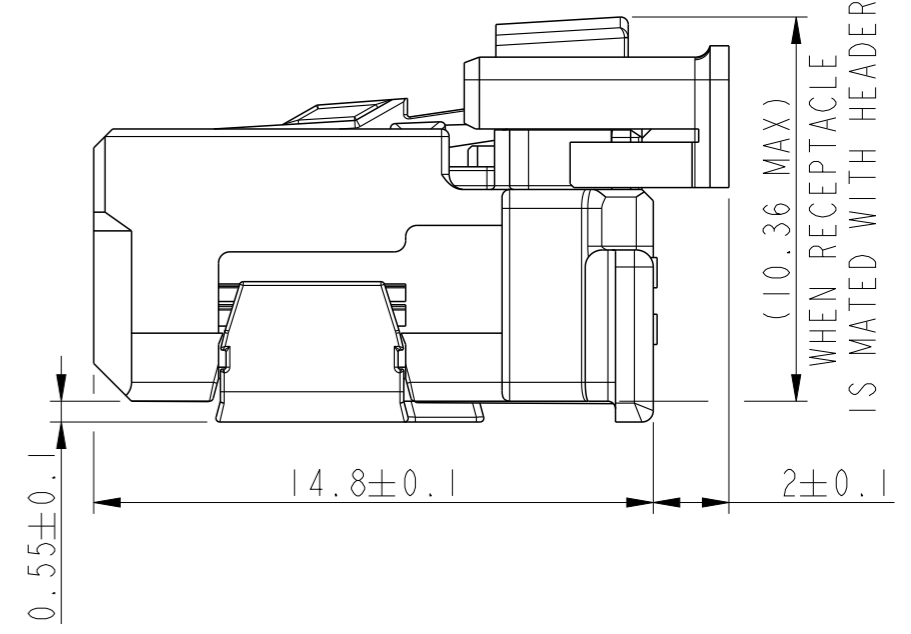
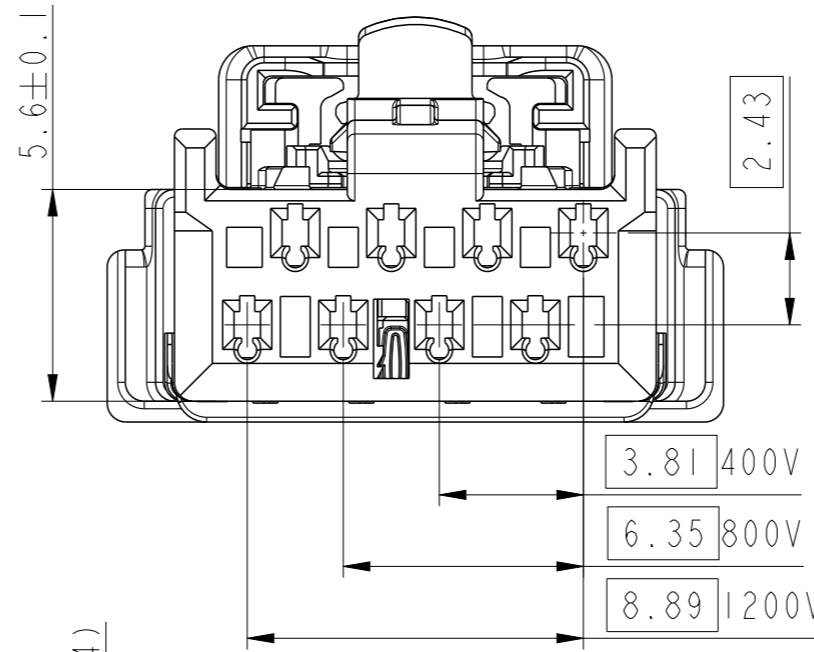
PACKAGING :
 BLANK = BULK
 BLANK = WITH CPA
 W = WITHOUT CPA

NUMBER OF POSITIONS : SEE TABLE

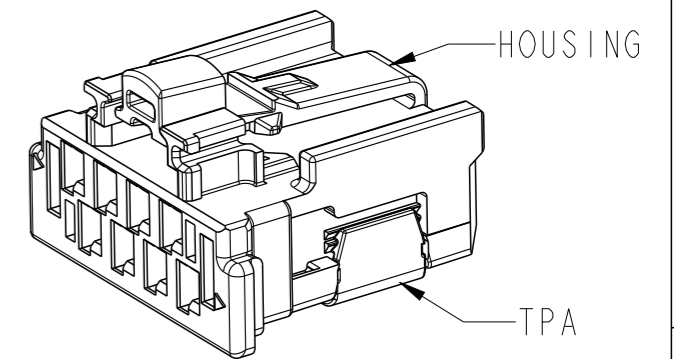
MATERIAL

NOTES:

- 1 - MATERIAL:
 HIGH TEMPERATURE THERMOPLASTIC
 HOUSING : COLOR ORANGE (RAL2003) UL94 V-0
 TPA : COLOR BLACK UL94 V-0
 CPA : COLOR RED UL94 V-0
 REGRIND < 30%
- 2 - FOR USE WITH MINITEK μSPACE CTW TERMINALS :
 AWG 22 TO AWG 28, SERIES 10141272
- 3 - TO BE MATED WITH MINITEK μSPACE HIGH VOLTAGE
 HEADERS HORIZONTAL SERIES 10170436(400V)/
 10170437(800V)/10170438(1200V)
- 4 - TO BE MATED WITH MINITEK μSPACE HIGH VOLTAGE
 HEADERS VERTICAL SERIES 10170506(400V)/
 10170507(800V)/10170508(1200V)
- 5 - THE PRODUCT IS NOT INTENDED TO BE EXPOSED TO ANY
 SOLDER PROCESS.
- 6 - PRODUCT SPECIFICATION : GS-12-1821
 APPLICATION SPECIFICATION : GS-20-0513
 PACKAGING SPECIFICATION : GS-14-2790
- 7 - RoHS COMPATIBLE PRODUCT SPECIFICATIONS
 - a - LABELLING :
 MEETS PACKAGING SPECS AS PER GS-14-920
 - b - LEGAL STATEMENT :
 SEE GS-47-0004.



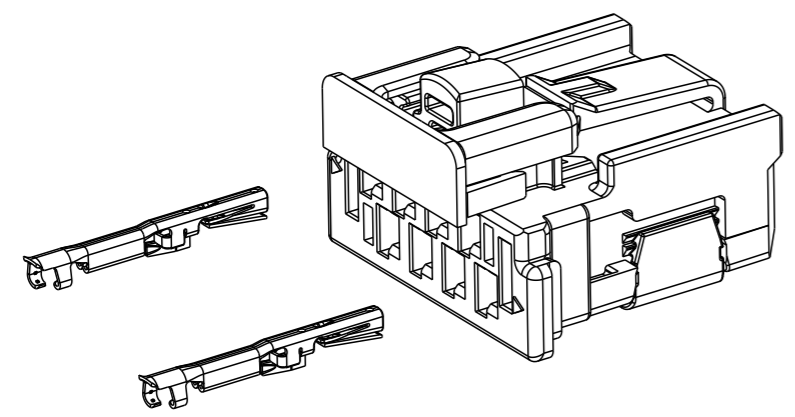
10170389-2XXLF (WITH CPA)



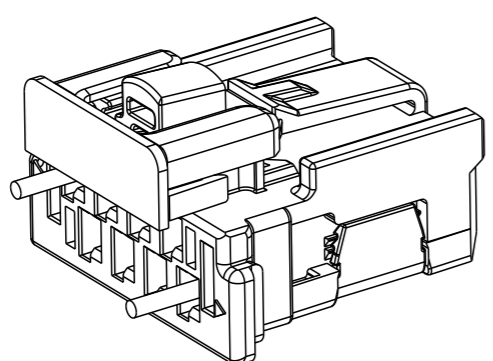
10170389-2XXWLF (WITHOUT CPA)

PRE-LOAD CONFIGURATION : DELIVERED STATUS

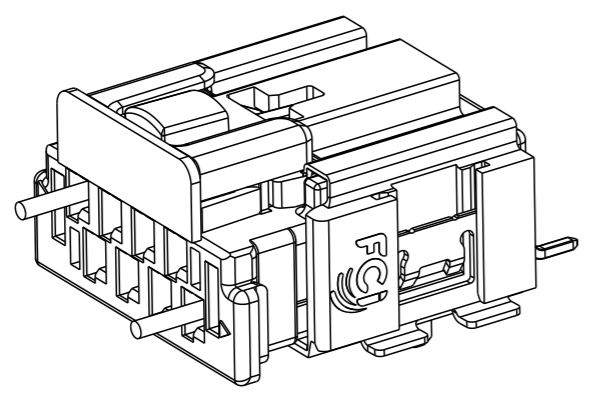
spec ref	GS-12-1821	dr	Huang, Yin-Chi	2023/01/27	projection	mm	size	A3	scale	5:1
tolerance std	ISO 406 ISO 1101	eng	Moisan, Gwenda	2023/03/16			ecn no	rel level	Released	rev
TOLERANCES UNLESS OTHERWISE SPECIFIED		chr	Huang, Yin-Chi	2023/03/16						
surface	linear	0.X	±0.3		RECEPTACLE ASSY HIGH VOLTAGE MINITEK μSPACE STAGGERED TOP LATCH	dwg no 10170389	sheet 1 of 5	Product - Customer Drw	A	
		0.XX	±0.10							
	angular	0°	±2°							
ISO 1302				cat. no.	-					



PRE-LOAD CONFIGURATION FOR TERMINAL INSERTION

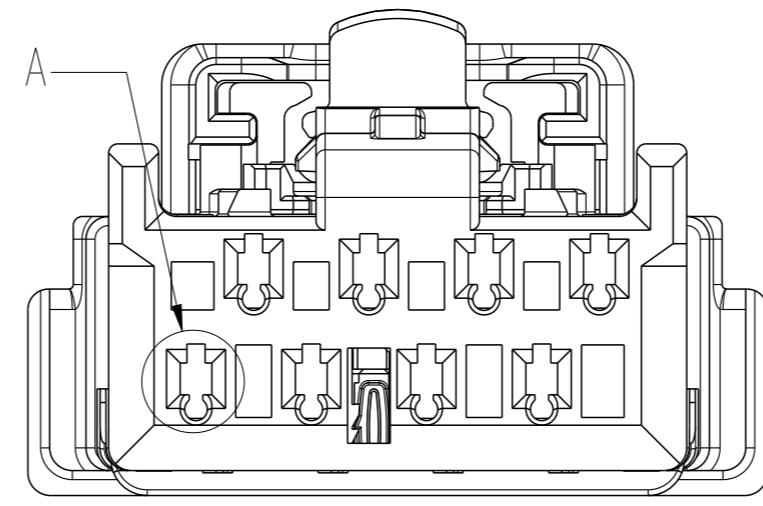


FINAL LOAD CONFIGURATION WITH INSERTED TERMINAL

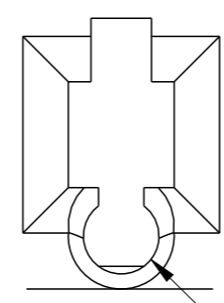


FULL HEADER AND RECEPTACLE ASSEMBLY CONFIGURATION

SEE DETAIL A

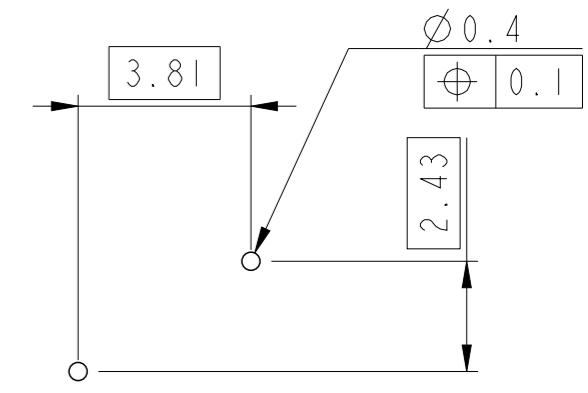


TEST PROBE $\varnothing 0.4\text{mm}$ COMPLIANCE

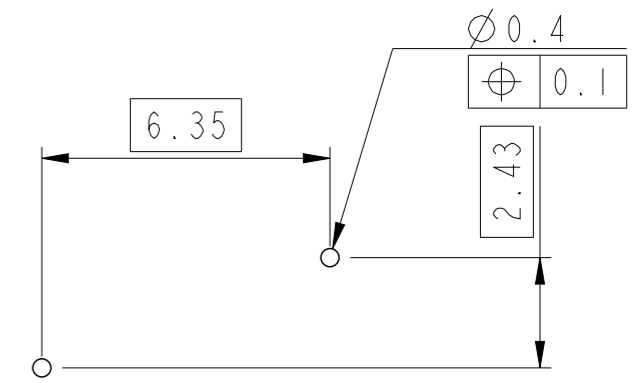


HOLE FOR TEST PROBE

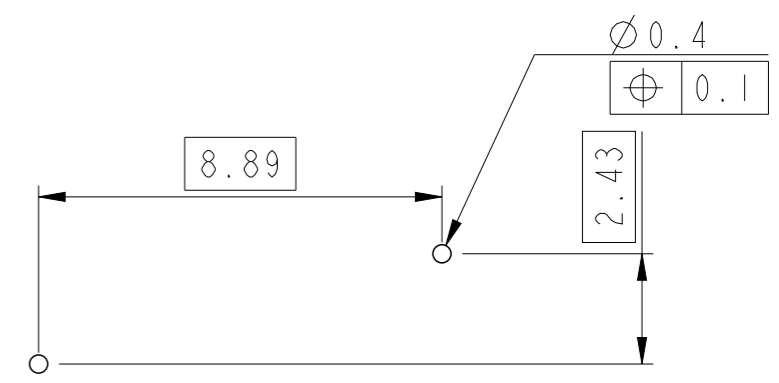
DETAIL A
SCALE 20:1



RECOMMENDED LAYOUT OF TEST PROBE $\varnothing 0.4\text{mm}$
400 Voltage



RECOMMENDED LAYOUT OF TEST PROBE $\varnothing 0.4\text{mm}$
800 Voltage

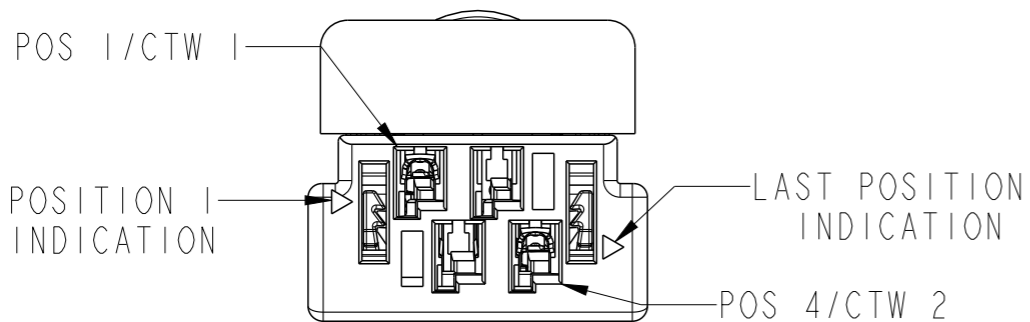


RECOMMENDED LAYOUT OF TEST PROBE $\varnothing 0.4\text{mm}$
1200 Voltage

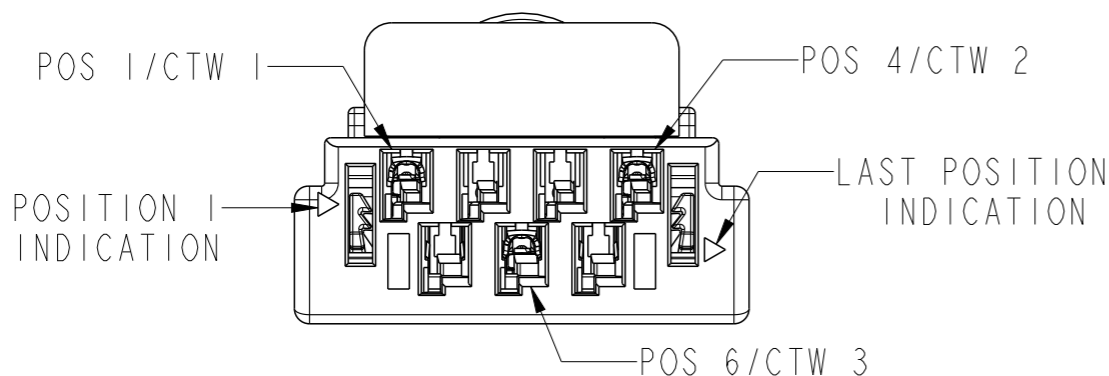
spec ref	GS-12-1821			dr	Huang, Yin-Chi	2023/01/27	projection 	mm	size	A3	scale	6:1	
tolerance std	TOLERANCES UNLESS OTHERWISE SPECIFIED			eng	Moisan, Gwenda	2023/03/16			product family -	ecn no			
ISO 406				chr	Huang, Yin-Chi	2023/03/16				rel level			Released
ISO 1101				appr	Vallière, Jérôme	2023/03/16							
surface	linear	0.X	± 0.3	Amphenol FCi RECEPTACLE ASSY HIGH VOLTAGE MINITEK μ SPACE STAGGERED TOP LATCH cat. no. -	dwg no 10170389	rev A							
		0.XX	± 0.10										
	0.XXX	± 0.005											
ISO 1302	angular	0°	$\pm 2^\circ$										
								Product - Customer Drw		sheet 2 of 5			

400V CTW INSERT POSITION

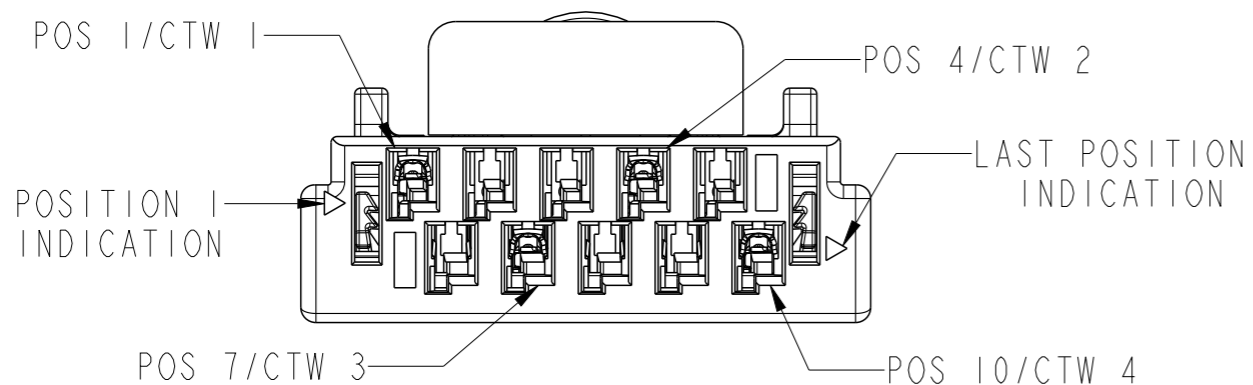
PART NO.	AVAILABILITY	NO. OF POSN	DIM "A"
10170389-204LF	ON DEMAND	04	7.66
10170389-207LF	ON DEMAND	07	11.47
10170389-210LF	TOOLED	10	15.28
10170389-213LF	ON DEMAND	13	19.09
10170389-216LF	ON DEMAND	16	22.90



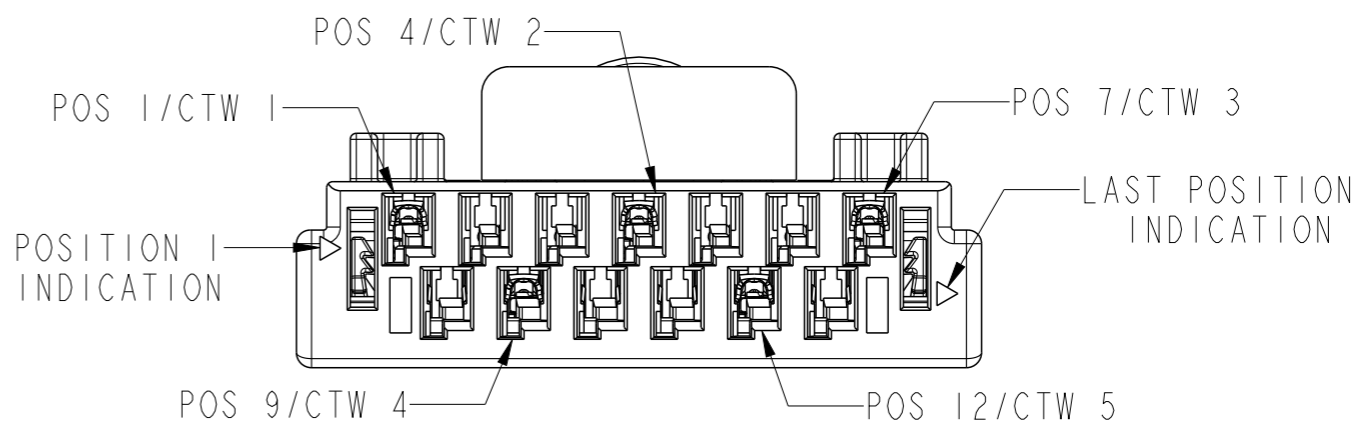
POSITION NUMBER INDICATION FOR 4POS VERSION
10170389-204LF(400V)



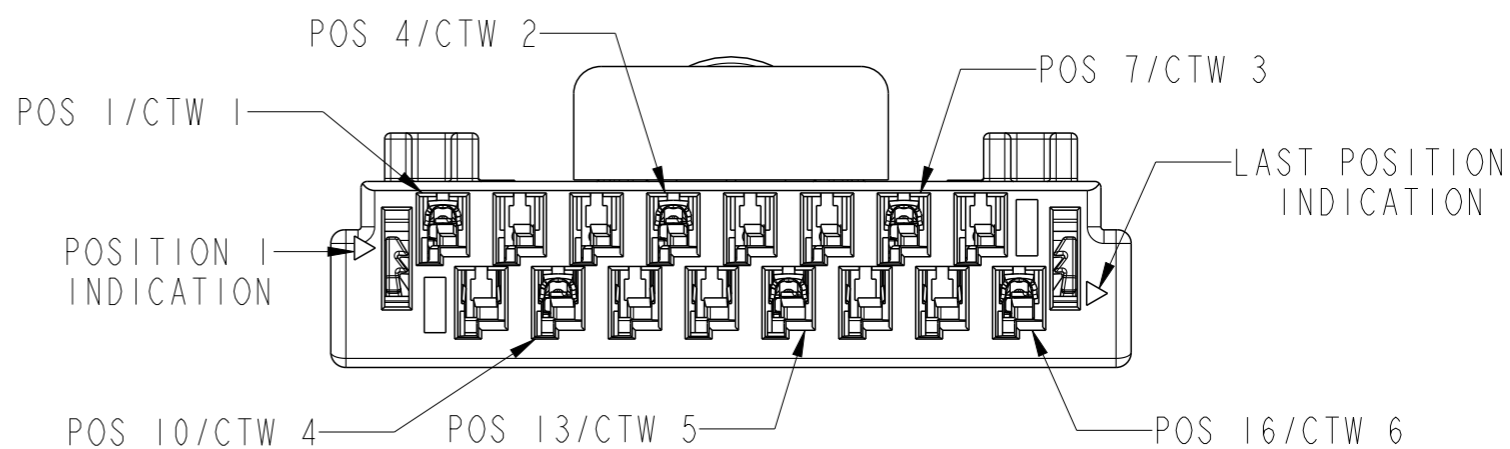
POSITION NUMBER INDICATION FOR 7POS VERSION
10170389-207LF(400V)



POSITION NUMBER INDICATION FOR 10POS VERSION
10170389-210LF(400V)



POSITION NUMBER INDICATION FOR 13POS VERSION
10170389-213LF(400V)



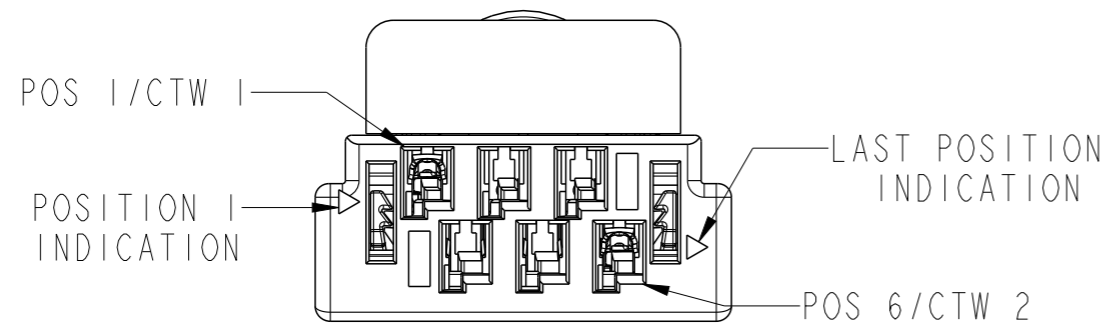
POSITION NUMBER INDICATION FOR 16POS VERSION
10170389-216LF(400V)

spec ref	GS-12-1821	dr	Huang, Yin-Chi	2023/01/27	projection	mm	size	A3	scale	4:1
tolerance std	ISO 406 ISO 1101	eng	Moisan, Gwenda	2023/03/16			ecn no		rel level	
TOLERANCES UNLESS OTHERWISE SPECIFIED		chr	Huang, Yin-Chi	2023/03/16			-		Released	
surface	linear	appr	Valliere, Jéro	2023/03/16	product family	-		-		
	angular			RECEPTACLE ASSY HIGH VOLTAGE MINITEK μSPACE STAGGERED TOP LATCH		dwg no 10170389		rev A		
ISO 1302	0.X ±0.3 0.XX ±0.10 0.XXX ±0.005	amphenol-icc.com		cat. no.	-		Product - Customer Drw		sheet 3 of 5	

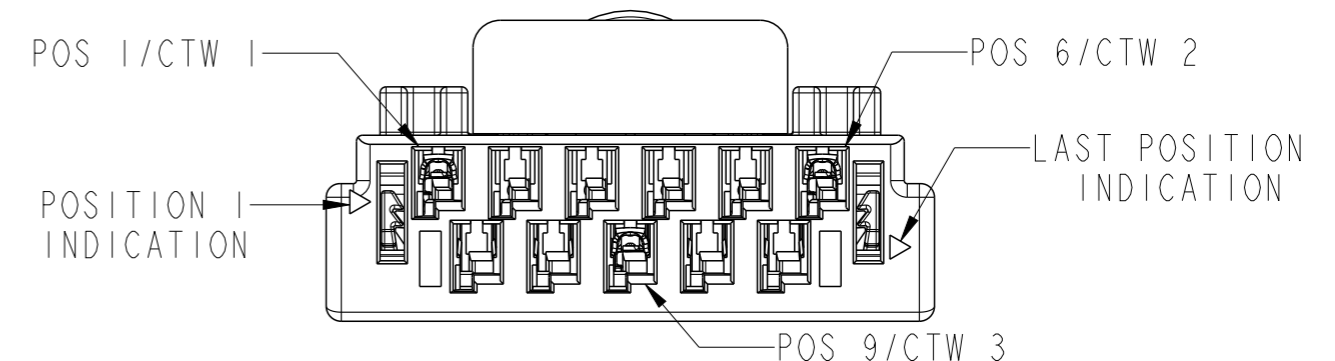
Creo File:ELX-WC-A3C, REV F, 2020-12-21

800V CTW INSERT POSITION

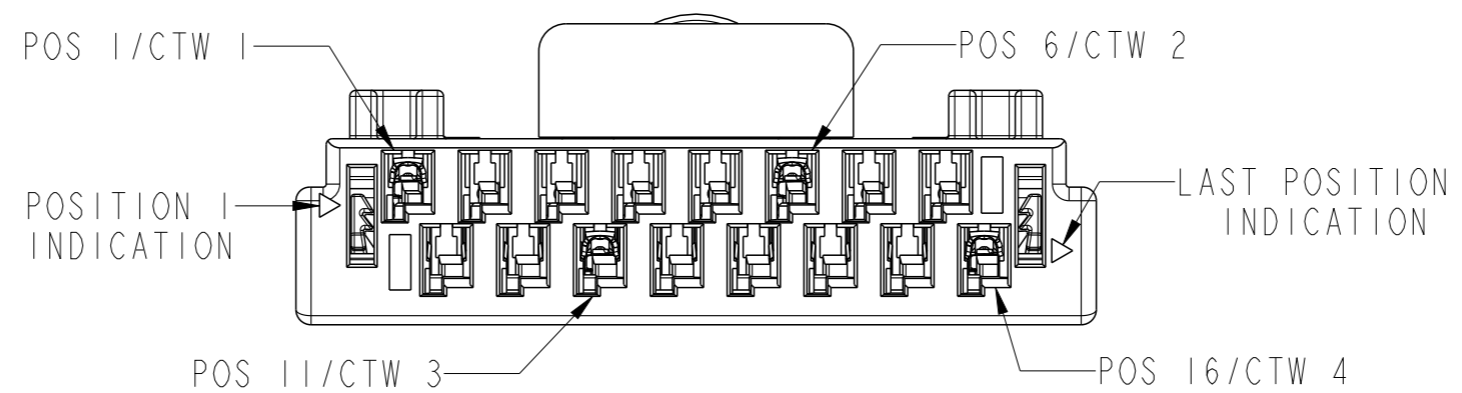
PART NO.	AVAILABILITY	NO. OF POSN	DIM "A"
10170389-206LF	ON DEMAND	06	10.20
10170389-211LF	TOOLED	11	16.55
10170389-216LF	ON DEMAND	16	22.90



POSITION NUMBER INDICATION FOR 6POS VERSION
10170389-206LF(800V)



POSITION NUMBER INDICATION FOR 11POS VERSION
10170389-211LF(800V)



POSITION NUMBER INDICATION FOR 16POS VERSION
10170389-216LF(800V)

Amphenol FCI

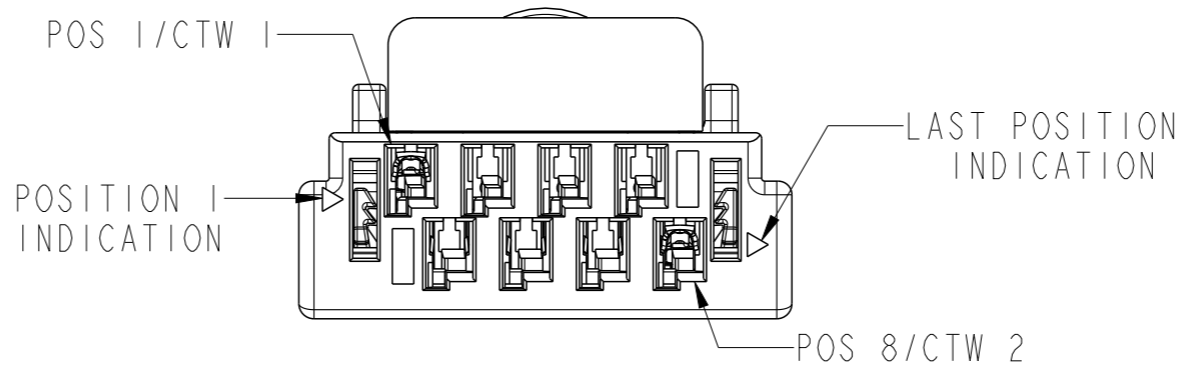
© 2020 Amphenol Corporation

spec ref	GS-12-1821	dr	Huang, Yin-Chi	2023/01/27	projection	mm	size	A3	scale	4:1
tolerance std	ISO 406 ISO 1101	eng	Moisan, Gwenda	2023/03/16			ecn no		rel level	
TOLERANCES UNLESS OTHERWISE SPECIFIED		chr	Huang, Yin-Chi	2023/03/16			-		Released	
surface	linear	appr	Vallière, Jérôme	2023/03/16	product family	-	-		dwg no	10170389
	angular			Amphenol FCI RECEPTACLE ASSY HIGH VOLTAGE MINITEK μSPACE STAGGERED TOP LATCH		rev	A		-	
ISO 1302	0.X ±0.3 0.XX ±0.10 0.XXX ±0.005	amphenol-icc.com		cat. no.	-	Product - Customer Drw		sheet 4 of 5		

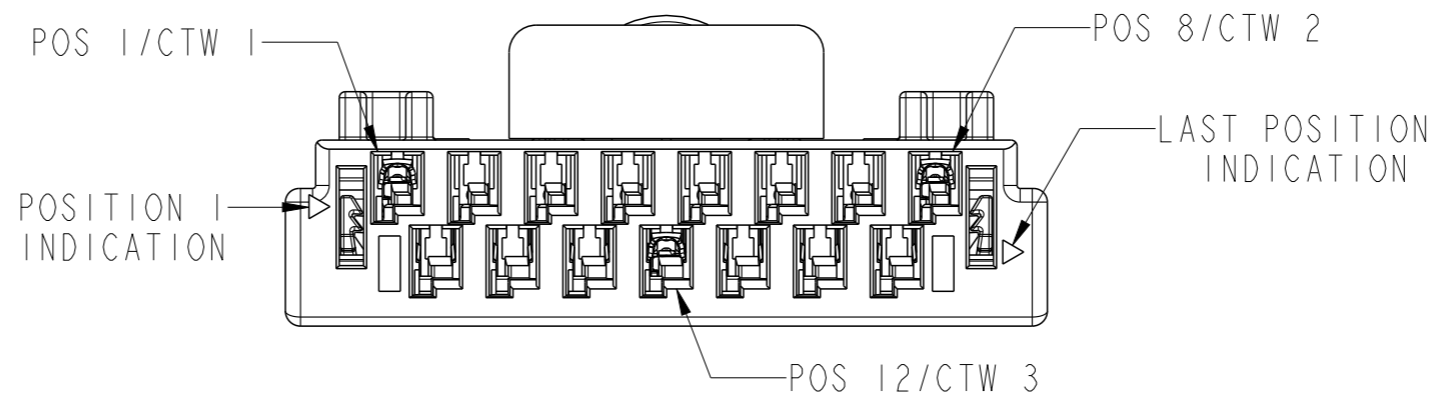
Creo File:ELX-WC-A3C.REV F.2020-12-21

1200V CTW INSERT POSITION

PART NO.	AVAILABILITY	NO. OF POSN	DIM "A"
10170389-208LF	TOOLED	08	12.74
10170389-215LF	ON DEMAND	15	21.63



POSITION NUMBER INDICATION FOR 8POS VERSION
10170389-208LF(1200V)



POSITION NUMBER INDICATION FOR 15POS VERSION
10170389-215LF(1200V)

Amphenol
FCi

© 2020 Amphenol Corporation

spec ref	GS-12-1821	dr	Huang, Yin-Chi	2023/01/27	projection	mm	size	A3	scale	2:1
tolerance std	ISO 406 ISO 1101	eng	Moisan, Gwenda	2023/03/16			ecn no		rel level	
TOLERANCES UNLESS OTHERWISE SPECIFIED		chr	Huang, Yin-Chi	2023/03/16			-		Released	
surface	linear	appr	Vallière, Jérôme	2023/03/16	product family	-	-		rev	A
ISO 1302	angular			Amphenol FCI RECEPTACLE ASSY HIGH VOLTAGE MINITEK μSPACE STAGGERED TOP LATCH		cat. no. -	Product - Customer Drw	dwg no 10170389	sheet 5 of 5	

Creo File:ELX-WC-A3C.REV F.2020-12-21