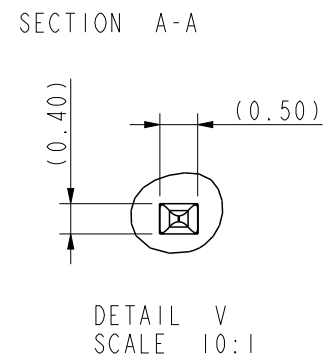
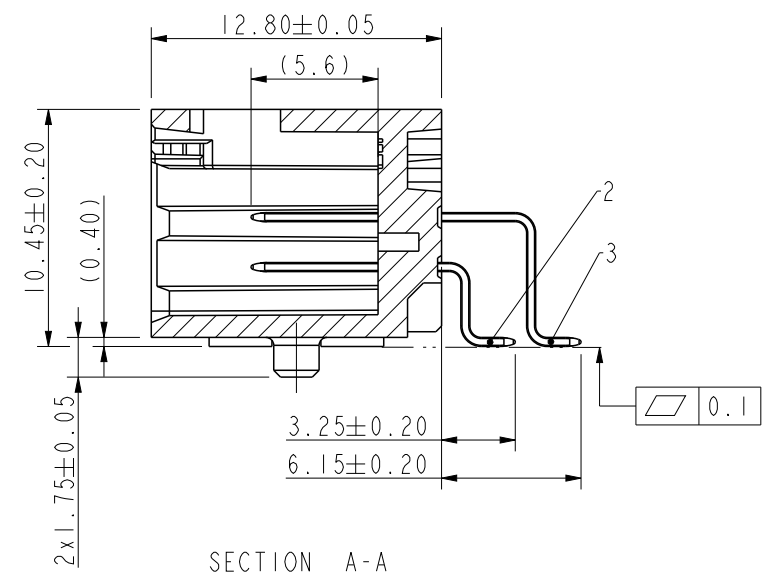


RECOMMENDED PC BOARD PAD AND HOLE DIMENSIONS
TOLERANCE : ±0.05mm
STENCIL THICKNESS : 0,15mm minimum
(acc. to norm IPC-7525)



- NOTES:
- ELECTRICAL CHARACTERISTICS:
 - CURRENT RATING: 2A Max./PER PIN.
 - CONTACT RESISTANCE: 25mΩ MAX.(INITIAL).
 - INSULATOR RESISTANCE: 100MΩ MIN.
 - DIELECTRIC WITHSTANDING VOLTAGE: 500V AC.
 - OPERATION TEMPERATURE: -40°C~+105°C.
 - MECHANICAL CHARACTERISTICS:
 - LOCKING FORCE: AT LEAST 100N MIN.
 - DURABILITY: 10 CYCLES.
 - HEADER PIN RETENTION FORCE: 15N MIN.
 - HOUSING : HIGH TEMPERATURE THERMOPLASTIC BLACK UL94V-0
 - RECOMMENDED PCB THICKNESS IS 1.60mm
 - RoHS COMPATIBLE PRODUCT SPECIFICATIONS
 - PLATING: "LF" MEANS THE PRODUCT IS LEAD FREE, 1μm MINIMUM REFLOW TIN OVER 0.76μm MINIMUM NICKEL UNDERPLATE.
 - MANUFACTURING PROCESS COMPATIBILITY: THE HOUSING WILL WITHSTAND EXPOSURE TO 260°C PEAK TEMPERATURE FOR 30 SECONDS MAX IN A CONVECTION, INFRA-RED OR VAPOR PHASE OR REFLOW OVEN.
 - LABELLING : MEETS PACKAGING SPECS AS PER GS-14-920
 - LEGAL STATEMENT : SEE GS-47-0004.
 - PRODUCT SPECIFICATION: GS-12-1535
 - PART NUMBER CODE: 10174399-X XX X X LF

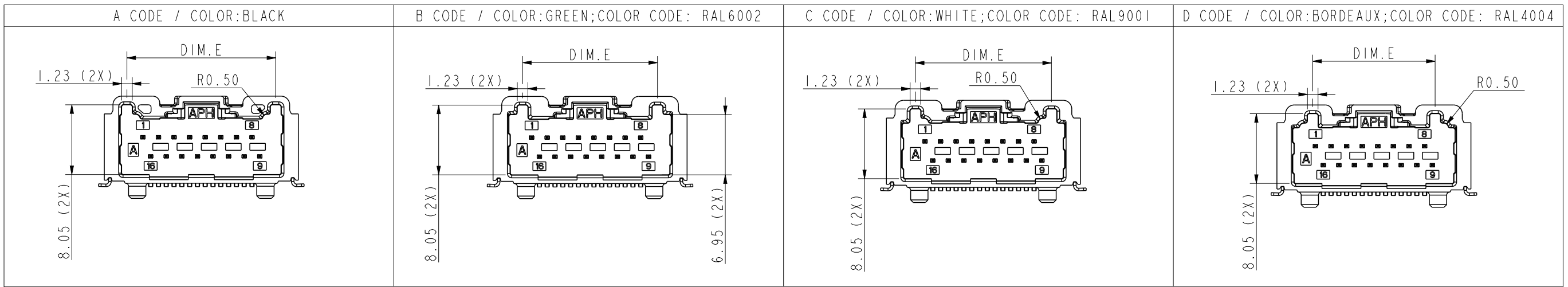
CONTACT MATERIAL&PLATING:
0-MATERIAL: PHOSPHOR BRONZE
CONTACT AREA: REFLOW TIN 1~2.5μm
SOLDER AREA: REFLOW TIN 1~2.5μm
1-MATERIAL: BRASS
CONTACT AREA: REFLOW TIN 1~2.5μm
SOLDER AREA: REFLOW TIN 1~2.5μm
2-MATERIAL: BRASS
CONTACT AREA: 0.76μm GOLD
SOLDER AREA: REFLOW TIN 1~2.5μm

- NUMBER OF POSITIONS:
- 16 - 16 PINS
 - 18 - 18 PINS
 - 20 - 20 PINS
 - 24 - 24 PINS
 - 28 - 28 PINS
 - 30 - 30 PINS

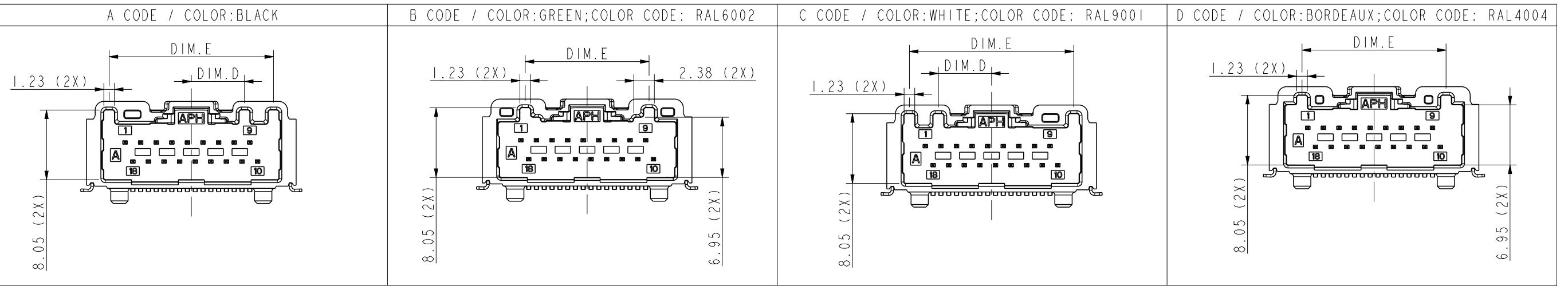
RoHS COMPATIBLE
CODE TYPE
A-A CODE
B-B CODE
C-C CODE
D-D CODE
PACKAGING
K - TAPE & REEL

NO.	Components	Description	Material Specifications	Q'ty	Remarks

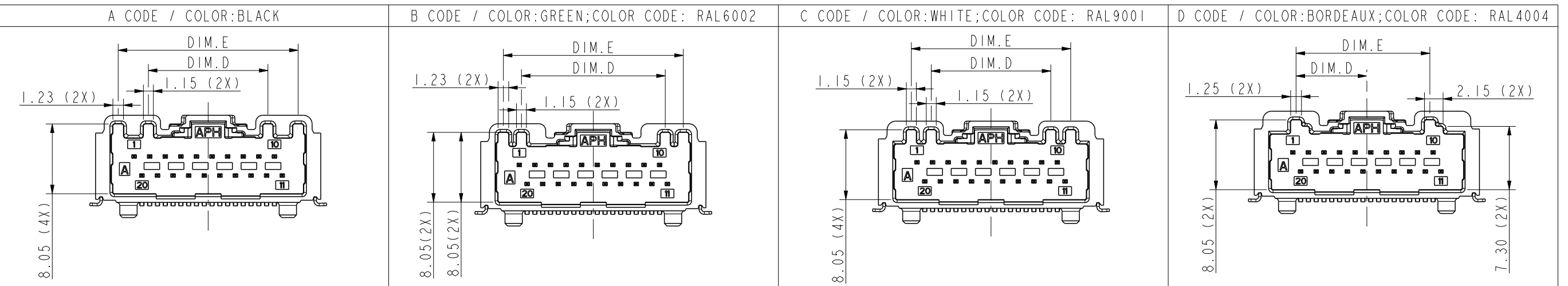
spec ref	-	dr	Adrien Faivre	2023/10/19	projection	mm	size	A3	scale	3:1
tolerance std	ISO 406 ISO 1101	eng	Adrien Faivre	2024/07/05			ecn no	ELX-F-51977-1		
surface	linear	chr	-	apppr			Lamy, Alexandr	2024/07/08	product family	-
ISO 1302	angular	0°	±0.25	0.XX	±0.10	0.XXX	±0.05	Amphenol FCI	PIN HEADER, DUAL ROW, SMT	
								amphenol-icc.com	cat. no.	-
									Product - Customer Drw	sheet 1 of 3



THIS TABLE SHOWS 16 POS



THIS TABLE SHOWS 18 POS



THIS TABLE SHOWS 20 POS

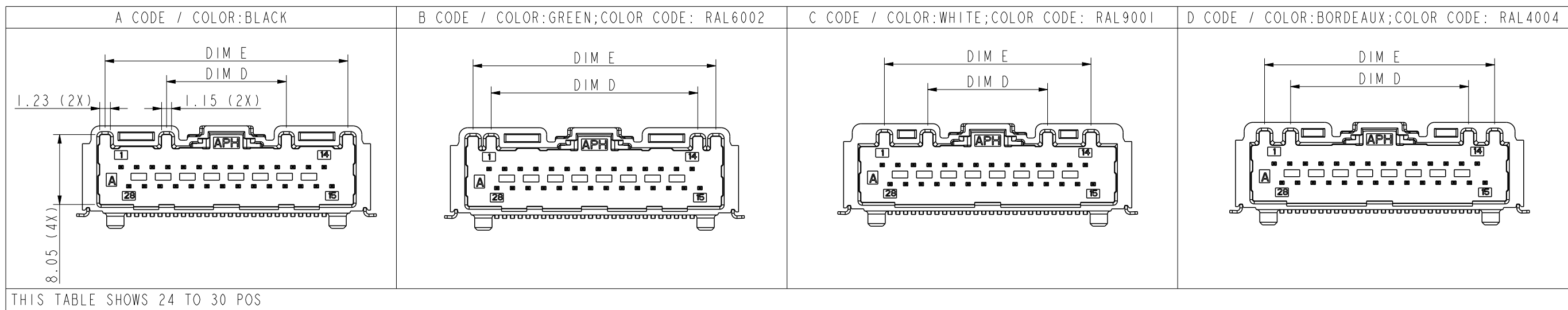
spec ref -		dr Adrien Faivre	2023/10/19	projection 	size A3	scale 2:1
tolerance std ISO 406 ISO 1101		eng Adrien Faivre	2024/07/05			
TOLERANCES UNLESS OTHERWISE SPECIFIED		chr -	-	mm 	ecn no ELX-F-51977-1	rel level Released
		appr Lamy, Alexandr	2024/07/08			
surface -	linear	0.X	±0.25	Amphenol FCI PIN HEADER, DUAL ROW, SMT WireLock Series R/A Connector	dwg no 10174399	rev D
		0.XX	±0.10			
		0.XXX	±0.05			
ISO 1302	angular	0°	±2°	amphenol-icc.com	cat. no. -	Product - Customer Drw
Creo File:ELX-WC-A3C_REV F_2020-12-21		2		3		PDS: Rev :D
		4		STATUS:Released		Printed: Jul 08, 2024

1

2

3

4



THIS TABLE SHOWS 24 TO 30 POS



POSITION	PART NUMBER	DIM.A	DIM.B	DIM.C	DIM.D	DIM.E
16 POS	I0174399-X16XALF	14.80	22.40	18.40	N.A	17.18
	I0174399-X16XBLF				N.A	15.58
	I0174399-X16XCLF				N.A	15.70
	I0174399-X16XDLF				N.A	14.13
18 POS	I0174399-X18XALF	16.60	24.20	20.20	6.14	18.98
	I0174399-X18XBLF				N.A	14.30
	I0174399-X18XCLF				6.14	18.98
	I0174399-X18XDLF				N.A	16.63
20 POS	I0174399-X20XALF	18.40	26.00	22.00	13.80	20.78
	I0174399-X20XBLF				16.60	20.78
	I0174399-X20XCLF				13.80	18.40
	I0174399-X20XDLF				8.18	15.45
24 POS	I0174399-X24XALF	22.00	29.60	25.60	13.80	24.38
	I0174399-X24XBLF				20.20	24.38
	I0174399-X24XCLF				13.80	20.20
	I0174399-X24XDLF				16.90	22.90
28 POS	I0174399-X28XALF	25.60	33.20	29.20	13.80	27.98
	I0174399-X28XBLF				23.80	27.98
	I0174399-X28XCLF				13.80	23.80
	I0174399-X28XDLF				20.50	26.50
30 POS	I0174399-X30XALF	29.20	32.80	31.00	13.80	29.78
	I0174399-X30XBLF				25.60	29.78
	I0174399-X30XCLF				13.80	25.60
	I0174399-X30XDLF				22.30	28.30



Amphenol FCI

© 2020 Amphenol Corporation

spec ref	-	dr	Adrien Faivre	2023/10/19	projection		size	A3	scale	2:1
tolerance std	ISO 406 ISO 1101	eng	Adrien Faivre	2024/07/05	mm		ecn no	ELX-F-51977-1	rel level	Released
surface	linear	chr	-	-	product family	-	rel level	Released		
	angular	appr	Lamy, Alexandr	2024/07/08						
	0.X ±0.25 0.XX ±0.10 0.XXX ±0.05	Amphenol FCI		PIN HEADER, DUAL ROW, SMT		dwg no	10174399		rev	D
ISO 1302	0° ±2°	amphenol-icc.com		cat. no.	-	Product - Customer Drw		sheet 3 of 3		

2

3

PDS: Rev :D

STATUS:Released

Printed: Jul 08, 2024