

WE RECOMMEND THESE CONNECTORS FOR OPTIMAL SERVICE LEVEL



- SHORT LEAD-TIMES
- LOW MOQs
- QUICK SAMPLING
- AVAILABLE AT DISTRIBUTION

Preferred Part
65240-002LF
65240-003LF
65240-004LF
65240-005LF
65240-006LF
65240-007LF
65240-008LF
65240-009LF
65240-010LF

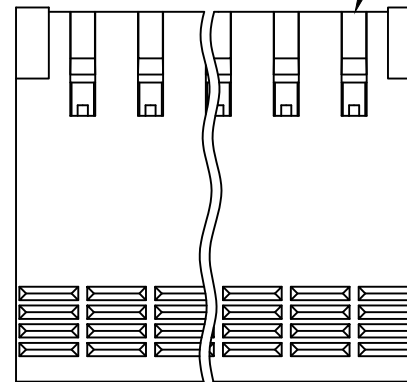
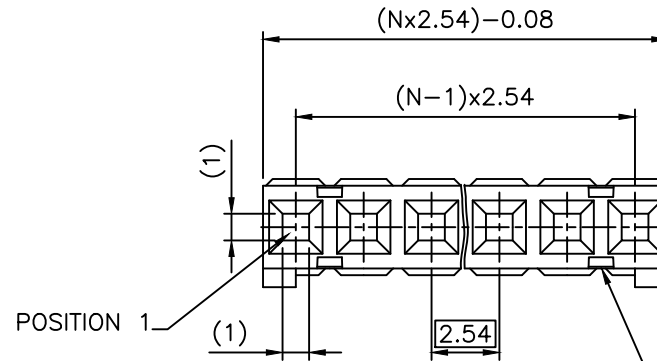
RoHS COMPATIBLE
SEE NOTE 6

NB OF CAVITIES PER ROW

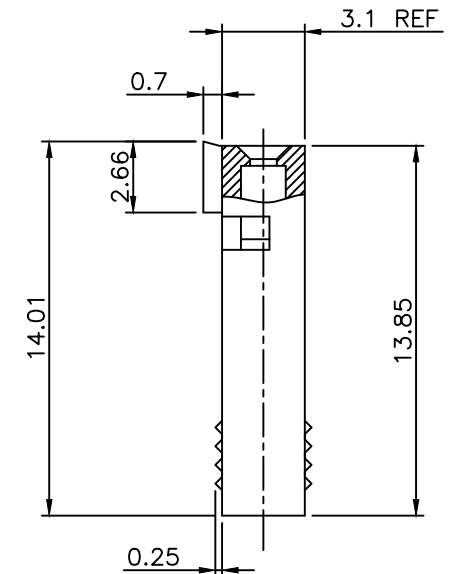
PLASTIC MATERIAL COLOR CODE
0 = BLUE

NOTES:

- HOUSING MAT'L: THERMOPLASTIC GLASS FILLED FLAME RETARDANT PER UL 94 V-0.
- OVER DASH -007 ONLY FIRST AND LAST THREE POSITIONS MUST HAVE GROOVES ON TWO SIDES.
- PACKAGING:
= PACKAGING POLYBAGS
V = PACKAGING POLYBAGS FOR CUSTOMER DEDICATED PART
- TO DETERMINE DIMENSIONS:
N = NUMBER OF POSITIONS
EXAMPLE: 8 POS: $(N \times 2.54) - 0.08 = 20.24$ mm.
- FOR TECHNICAL APPLICATION SEE TA317.
- RoHS COMPATIBLE PRODUCT SPECIFICATIONS
 - LABELING:
- MEETS PACKAGING SPECS AS PER GS-14-920
 - LEGAL STATEMENT: SEE GS-22-008
- THE PRODUCT IS NOT INTENDED TO BE EXPOSED TO A MANUFACTURING SOLDER PROCESS.
- THIS PART SERIES IS NOT INITIALLY INTENDED FOR AUTOMOTIVE APPLICATIONS. ADDITIONAL FEES ARE CHARGEABLE FOR ANY ADDITIONAL QUALIFICATION AND TEST REPORTS PERFORMED OUTSIDE THE SCOPE OF THE STANDARD PRODUCT SPECIFICATIONS.
- UNLESS OTHERWISE APPROVED BY AMPHENOL, ALL PARTS AND COMPONENTS ARE DESIGNED & BUILT ACCORDING TO AMPHENOL'S SPECIFICATIONS WHICH ARE SUBJECT TO CHANGE WITHOUT NOTICE.



SEE NOTE 2



mat'l. code SEE NOTES		surface ISO 1302 ✓		tolerance ISO 406 ISO 1101		projection mm		product family DUBOX	
ltr	ecn no	dr	date	tolerances unless otherwise specified		mm		title	
P	F06-0146	DLE	06.03.10	angles	linear	.x ±0.3	scale 5:1	CTW HOUSING SINGLE ROW	
R	F06-0225	DLE	06.07.07			.xx ±0.15			
S	F07-0168	PNZ	07.04.02			.xxx ±0.05		dwg no	
T	F-27116	LMU	17.05.30	dr	L.MULIN	00.08.30	Amphenol FCI	sheet 1 of 2	
U	F-31150	LMU	18.09.04	enfr	P.NIZZI	00.08.30		size	
V	F-54443	DDE	25.01.27	chr	JF.NOTTEAU	00.08.30	65240		A3
				appd	P.NIZZI	00.08.30	type		Drawing
sheet index	revision sheet	V	A						
		1	2						

EXTENDED RANGE

PRODUCT NUMBER

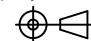
65240-YXXYLF

WHEN NEEDED, SUFFIX LETTER "LF"
INDICATES THE PRODUCT IS RoHS
COMPLIANT, SEE NOTE 6

PACKAGING, SEE NOTE 3

NUMBER OF CAVITIES PER ROW : 02 TO 36

PLASTIC MATERIAL

mat'l. code SEE NOTES				surface ISO 1302 <input checked="" type="checkbox"/> ISO 406 ISO 1101		tolerance ISO 406 ISO 1101		projection 		product family DUBOX			
ltr	ecn no	dr	date	tolerances unless otherwise specified		tolerances unless otherwise specified		mm		title CTW HOUSING SINGLE ROW			
A	F-54443	DDE	25.01.27	angles	linear	.x ±0.3	.xx ±0.15	mm		dwg no		sheet 2 of 2	size
						.xxx ±0.05	scale 5:1		Amphenol FCI		65240		A3
				dr	G.CORBOZ	01.01.05					type		Drawing
				enr	P.NIZZI	01.01.05							
				chr	JF.NOTTEAU	01.01.05							
				appd	P.NIZZI	01.01.05							
sheet index	revision sheet												

Amphenol
FCI
FCIconnect.com

Copyright FCI