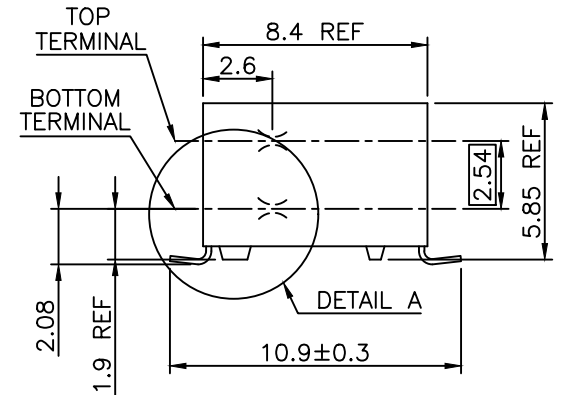
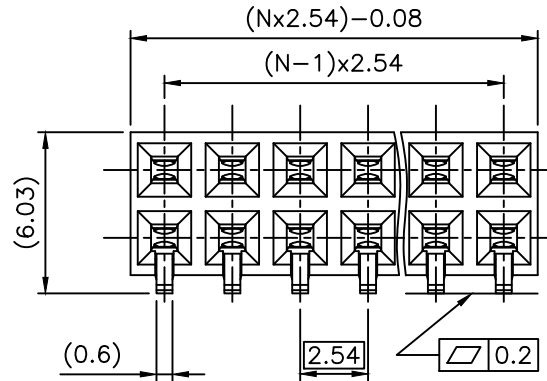


PRODUCT NUMBER  
71609-YXXZLF

RoHS COMPATIBLE, SEE NOTE 6  
 OPTIONAL LETTER:  
 (MAY BE SUBJECT TO TOOLING FEES)  
 A: PRODUCT PACKED IN TAPE & REEL, SEE TA856  
 NUMBER OF POSITIONS PER ROW: 02 TO 40  
 PLATING CODE:  
 (AS AVAILABLE)  
 3= 0.76µm GOLD ON CONTACT AREA  
 2µm MIN MATTE TIN ON TAIL  
 4= 2µm MIN MATTE TIN FULL PLATED  
 8= 0.38µm GOLD ON CONTACT AREA  
 2µm MIN MATTE TIN ON TAIL  
 1.27µm Ni MIN UNDERPLATING

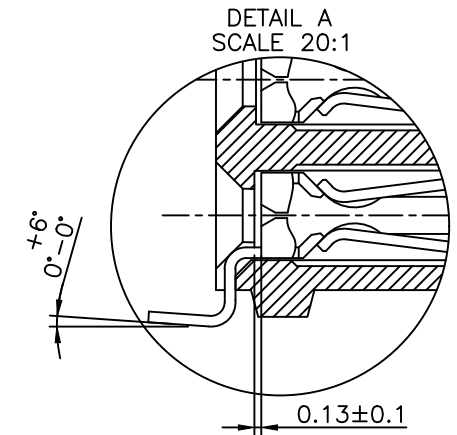
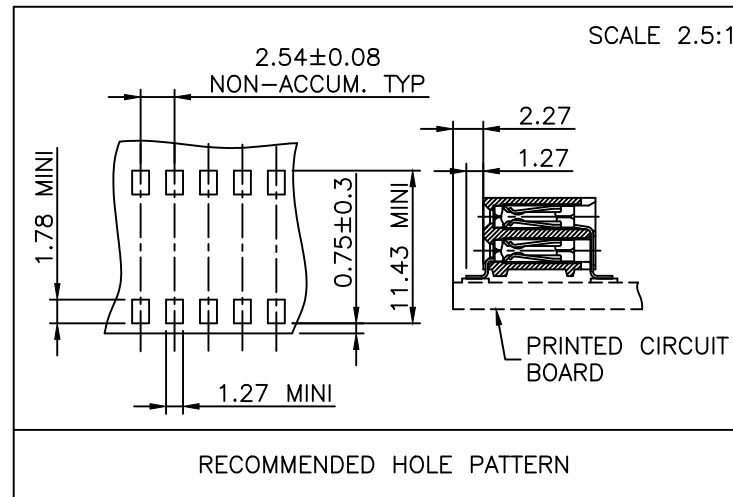
**EXTENDED RANGE**

- TOOLING FEASIBILITY CONFIRMED
- SAMPLES ON DEMAND
- AVAILABILITY ON DEMAND



**NOTES:**

- HOUSING MATERIAL: THERMOPLASTIC GLASS FILLED FLAME RETARDANT PER UL 94 V-0 COLOR: GREY.
- TERMINAL MATERIAL: PHOSPHOR BRONZE.
- 2 UP TO 4 POSITIONS PRODUCT PACKED IN PLASTIC BOX.  
5 UP TO 40 POSITIONS PRODUCT PACKED IN TUBE.
- TO DETERMINE DIMENSIONS:  
N = NUMBER OF POSITIONS PER ROW  
EXAMPLE: 8 POS: (N x 2.54) - 0.08 = 20.24 mm
- RECOMMENDED IR PROFIL PER TA 842.
- RoHS COMPATIBLE PRODUCT SPECIFICATIONS
  - PLATING:
    - "LF" MEANS THE PRODUCT IS LEAD-FREE, 2µm MINIMUM MATTE TIN OVER 1.27µm MINIMUM NICKEL UNDERPLATE.
  - MANUFACTURING PROCESS COMPATIBILITY
    - THE HOUSING WILL WITHSTAND EXPOSURE TO 260°C PEAK TEMPERATURE FOR 30 SECONDS MAX IN A CONVECTION, INFRA-RED OR VAPOR PHASE OR REFLOW OVEN.
  - LABELING:
    - MEETS PACKAGING SPECS AS PER GS-14-920
  - LEGAL STATEMENT: SEE GS-47-0004
- THIS PART SERIES IS NOT INITIALLY INTENDED FOR AUTOMOTIVE APPLICATIONS. ADDITIONAL FEES ARE CHARGEABLE FOR ANY ADDITIONAL QUALIFICATION AND TEST REPORTS PERFORMED OUTSIDE THE SCOPE OF THE STANDARD PRODUCT SPECIFICATIONS.
- UNLESS OTHERWISE APPROVED BY AMPHENOL, ALL PARTS AND COMPONENTS ARE DESIGNED & BUILT ACCORDING TO AMPHENOL'S SPECIFICATIONS WHICH ARE SUBJECT TO CHANGE WITHOUT NOTICE.



mat'l. code		surface		tolerance		projection		product family	
SEE NOTE 1		ISO 1302		ISO 406 ISO 1101		DUBOX		DUBOX	
ltr	ecn no	dr	date	tolerances unless otherwise specified		mm		title	
W	F04-0347	DLE	04.11.08	±0.3		mm		BtB RECEPT.	
X	F06-0204	DLE	06.06.10	linear		scale 10:1		HORIZ DR SMT	
Y	B-17361	JCO	14.01.04	±2'				dwg no	
AA	B-19123	LMU	14.10.21	dr	P.NIZZI	94.03.21	sheet 1 of 1		size
AB	F-54518	DDE	25.02.06	enr	P.NIZZI	99.06.08	71609		A3
				chr	JF.NOTTEAU	97.05.13	CUSTOMER		Drawing
				appd	P.NIZZI	99.06.08			
sheet index	revision sheet								