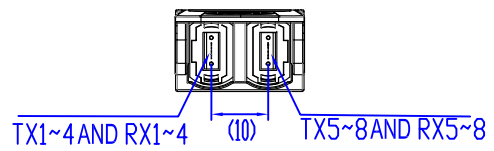
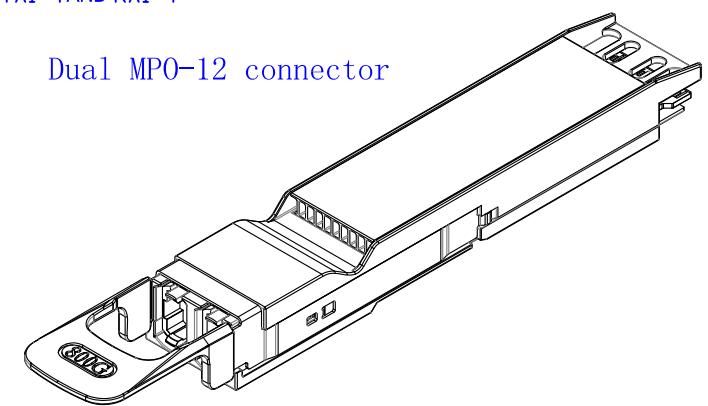


Units in mm



Dual MPO-12 connector



REV.	REVISION	ZONE	BY	APR.	DATE

tolerances unless otherwise (unit: mm)	
size	tolerance
0.00-10.00	±0.10
10.01-50.00	±0.15
50.01-OVER	±0.20
-FILLET MAX.	R0.15
-DRAFT ANGLE MAX.	0.5°

projection

**Amphenol**  
-XGIGA

product family	800G OSFP LPO	
title		
dwg no	0202290007	sheet 1 of 1
size	A4	
REV		