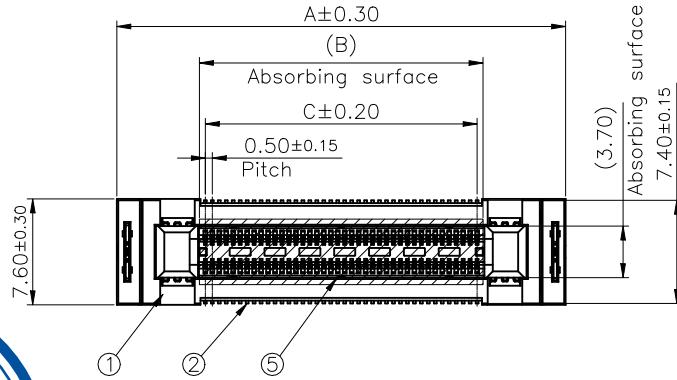
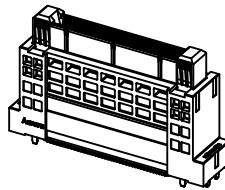
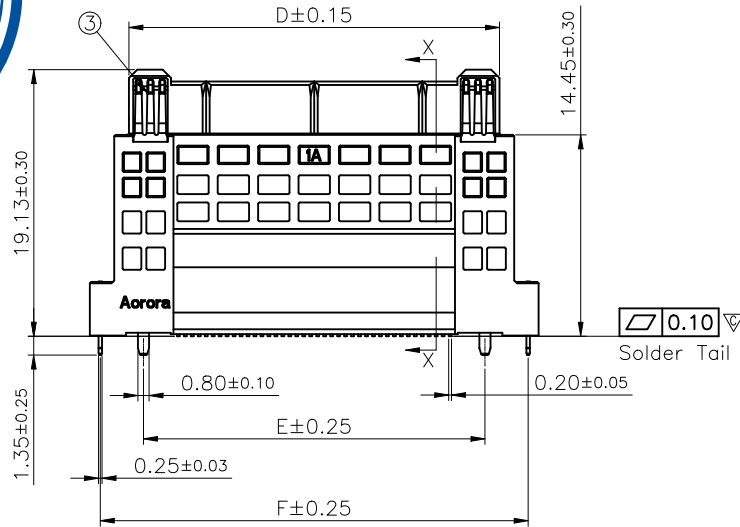


Halogen free



AAOR
Document Released
Copy Prohibited
2023/5/30

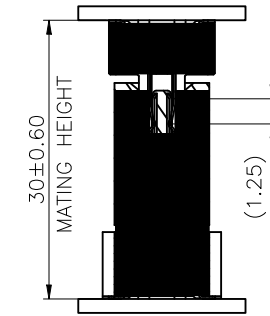
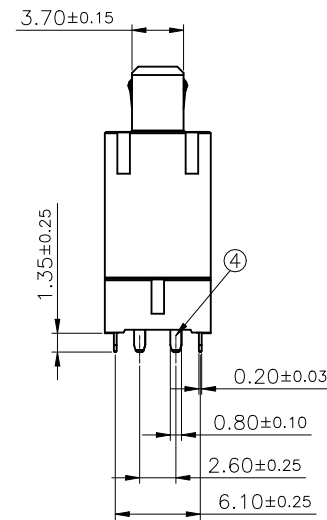


- NOTES:
1. BURRS OF CONTACT AREA ARE NOT ALLOWED AND INTERPOSITION AREA SHOULD BE 0.03MM MAX.
 2. "▽" MARK IS CRITICAL CHARACTERISTIC DIMENSION.
 3. ALL MATERIAL MUST BE COMPLY RoHS.
 4. PART NO.: B04P-3J1B1-AA180-1110

PIN No.: 80PIN

REV.	ECR/ECN No.	DESCRIPTION	DRAWN/DATE	CHECKED/DATE	APPROVED/DATE
A	/	New Release	SH Chen 2022-06-02	May 2022-06-02	Rain 2022-06-02
B	/	Change Appearance and PIN No.	SH Chen 2023-05-25	Elven 2023-05-25	Rain 2023-05-25

NO.	COMPONENTS	MATERIALS	SPECIFICATION:FINISH/COLOR	QTY.
1	HOUSING	GLASS FILLED LCP UL94V-0	BLACK	1
2	SIGNAL CONTACT	COPPER ALLOY T=0.15mm	ALL OVER Ni UNDER PLATING:40u''~120u'' CONTACT AREA: Au 4u'' MIN. SOLDER AREA: Au 2u''Min.	N
3	POWER CONTACT	COPPER ALLOY T=0.20mm	ALL OVER Ni UNDER PLATING:40u''~120u'' CONTACT AREA: Au 4u'' MIN. SOLDER AREA: Au 2u''Min.	4
4	FIXING TAB	COPPER ALLOY T=0.25mm	ALL OVER Ni UNDER PLATING:40u''~120u'' SOLDER AREA: Au 2u''Min.	2
5	MYLAR	THERMOSTABLE T=0.10mm	YELLOW	1



SECTION X-X
FLOATING RANGE TOWARD
X DIRECTION: ±0.80
Y DIRECTION: ±0.80
Z DIRECTION: ±0.60
ASSEMBLY DRAWING

DIMENSION LIST:

PIN No.	A	B	C	D	E	F
20	17.20	5.35	4.50	11.59	9.50	15.70
30	19.70	7.85	7.00	14.09	12.00	18.20
40	22.20	10.35	9.50	16.59	14.50	20.70
60	27.20	15.35	14.50	21.59	19.50	25.70
80	32.20	20.35	19.50	26.59	24.50	30.70
90	34.70	22.85	22.00	29.09	27.00	33.20
AO(100)	37.20	25.35	24.50	31.59	29.50	35.70

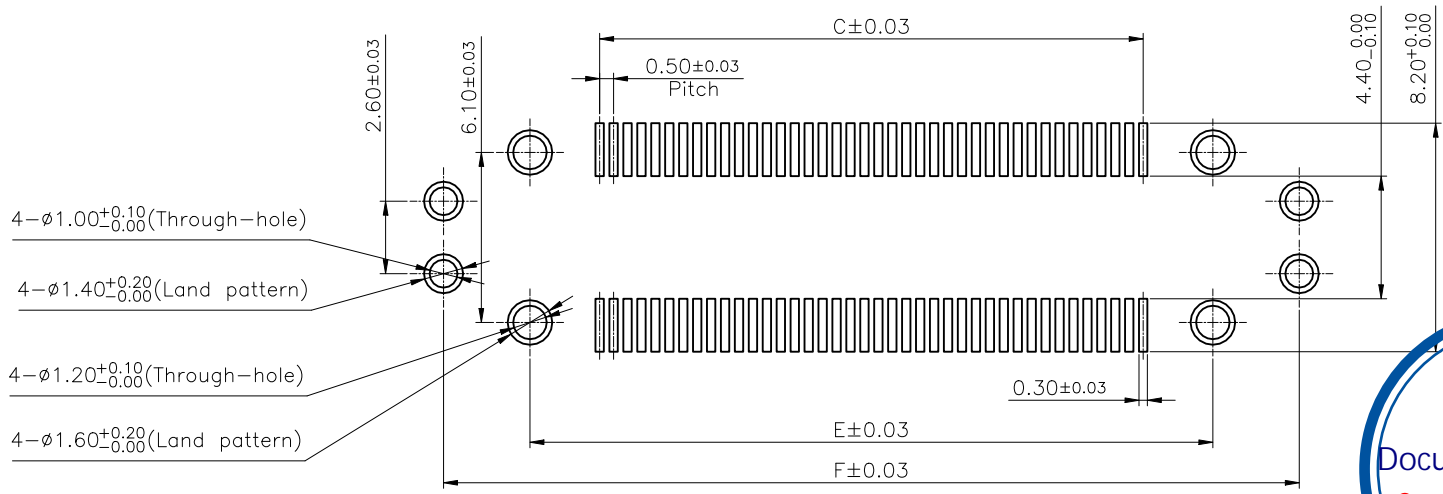
UNLESS OTHERWISE SPECIFIED TOLERANCES		ANGLE OF PROJECTION		 Amphenol Aorora Technology (Huizhou) Co.,Ltd	
X.	±0.30	X. °	± 5'		
X.X	±0.25	X.X °	± 4'	Customer Drw	
X.XX	±0.20	X.XX °	± 3'		
X.XXX	±0.15	X.XXX °	± 2'	DRAWN DATE SH Chen 2023-05-25	
LINEAR DIMS		ANGLES DIMS			
DWG NO.:	A-S0745		DESIGN DATE SH Chen 2023-05-25		TITLE:
MATERIAL	SEE NOTES		CHECKED DATE Elven 2023-05-25		0.5mm Pitch Floating BTB Plug Conn.
FINISHED	SEE NOTES		APPROVED DATE Rain 2023-05-25		SIZE PART NUMBER: B04P-3J1B1-AA1**-1110
			SCALE 2:1		UNIT : mm SHEET 1 OF 3

A

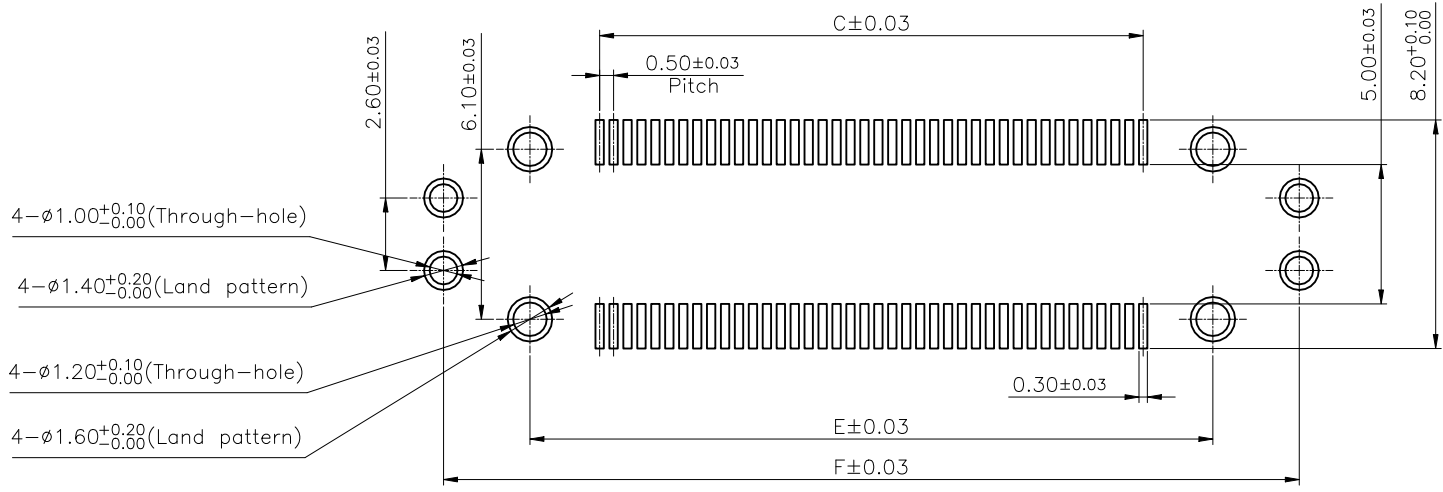
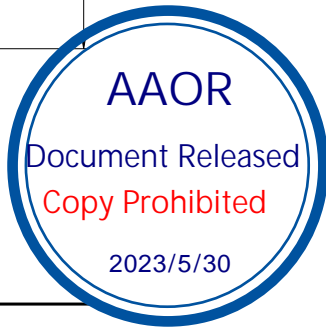
B

C

D



RECOMMENDED PCB SIZE
FOR COMMON DIFFERENTIAL PAIR 100ohm



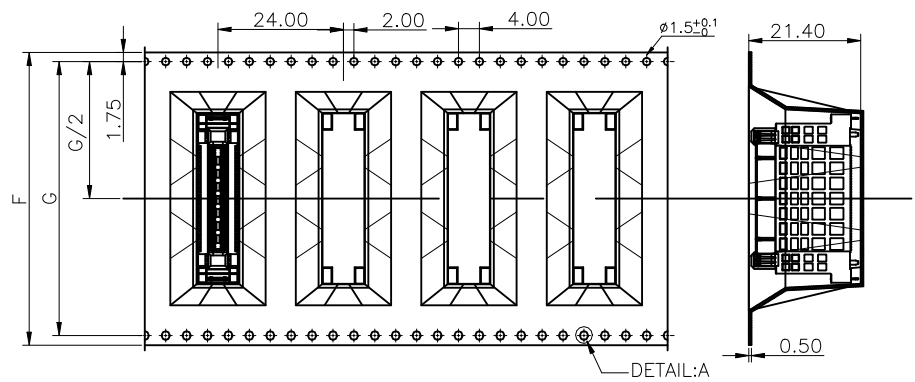
RECOMMENDED PCB SIZE
FOR PCIe Gen4.0 85ohm

This document is the property of and embodies CONFIDENTIAL and PROPRIETARY information of AAOR. No part of the information shown on this document may be used in any way or disclosed to others without the written consent of AAOR. © 2019 AAOR



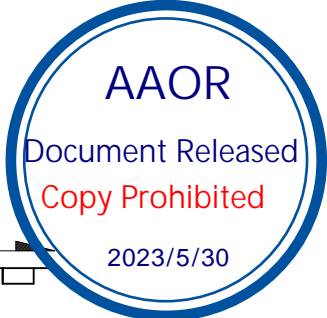
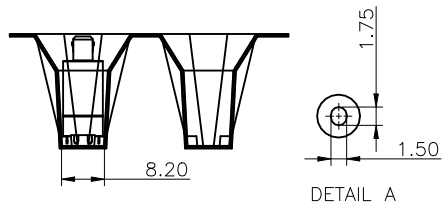
UNLESS OTHERWISE SPECIFIED TOLERANCES			ANGLE OF PROJECTION		 Amphenol Aorora Technology (Huizhou) Co.,Ltd		
X.	±0.30	X. *	± 5'				
X.X	±0.25	X.X *	± 4'	DOC TYPE		Customer Drw	
X.XX	±0.20	X.XX *	± 3'	DRAWN		SH Chen	
X.XXX	±0.15	X.XXX *	± 2'	DATE		2023-05-25	
LINEAR DIMS		ANGLES DIMS		DESIGN		SH Chen	
DWC NO.:		A-S0745		DATE		2023-05-25	
MATERIAL		SEE NOTES		CHECKED		Elven	
FINISHED		SEE NOTES		DATE		2023-05-25	
APPROVED		Rain		DATE		2023-05-25	
SIZE	PART NUMBER:			REV.			
A4	B04P-3J1B1-AA1**-1110			B			
SCALE	4:1	UNIT : mm	SHEET 2 OF 3				

PULL OUT DIRECTION

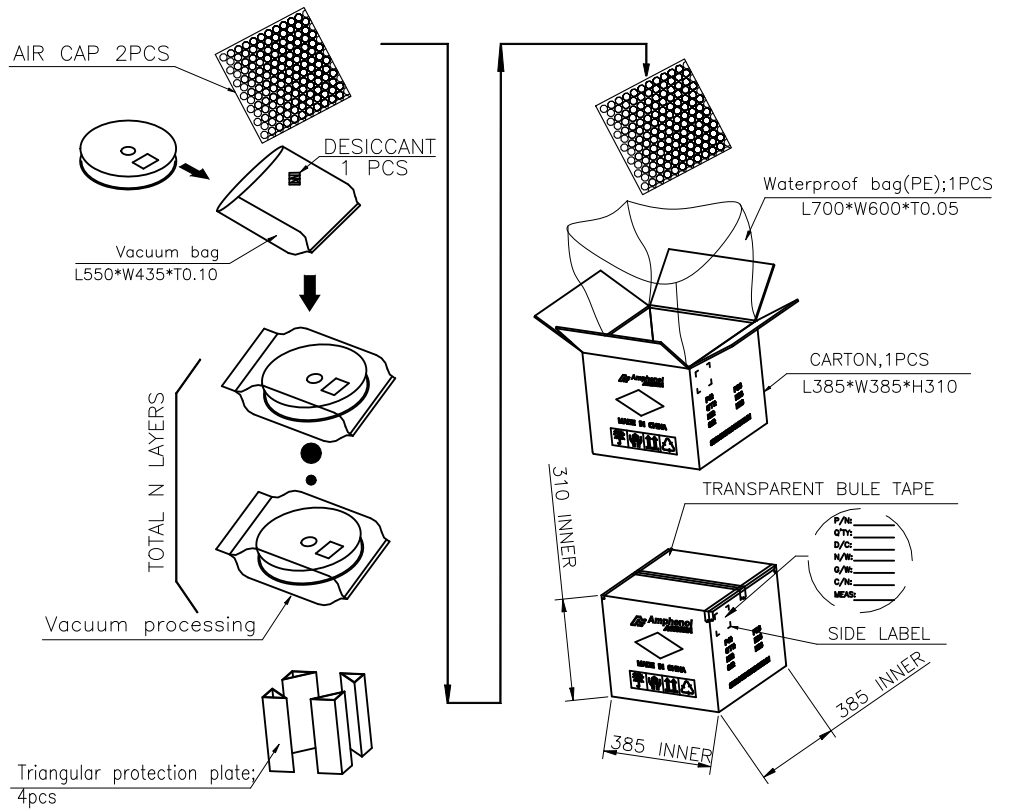
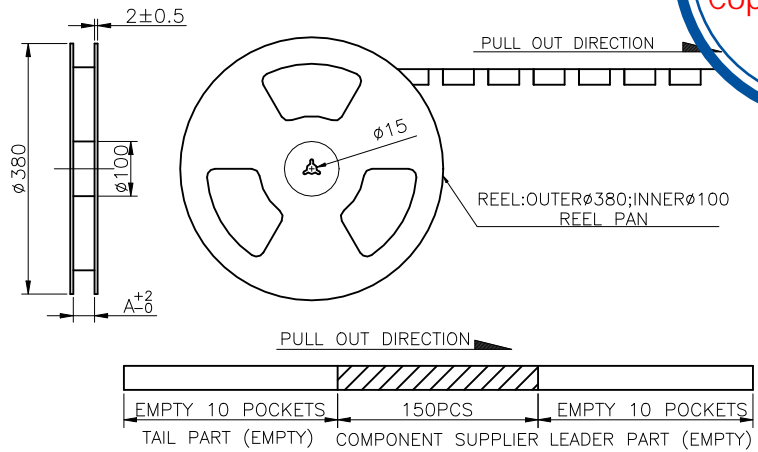


5. QTY LIST:

DIM	NO.	20~50pin	60~90pin	100pin
F		44.00	56.00	72.00
G		40.40	52.40	68.40
N		6	5	4
TOTAL(PCS)		900	750	600



Amphenol AORORA



- NOTES:
- MATERIAL:
 - CARRY TAPE:HIPS,T=0.50mm,CLEAR
 - REEL:HIPS,BLUE.
 - SHIM:PE,CLEAR.
 - PRIMARY PACKING:150PCS/REEL.
 - SECONDARY PACKING:"N"REELS/CARTON ("TOTAL"=N*150/CARTON).
 - PEELING RESISTANCE: 0.4N~1.4N(40~140gf);
PEELING ANGLE: 165°~180°;
PEELING SPEED: 300mm/minutes.

UNLESS OTHERWISE SPECIFIED TOLERANCES			ANGLE OF PROJECTION		Amphenol AORORA	
X.	±0.30	X. *	± 5'		Amphenol Aorora Technology (Huizhou) Co.,Ltd	
X.X	±0.25	X.X *	± 4'		TITLE: 0.5mm Pitch Floating BTB Plug Conn.	
X.XX	±0.20	X.XX *	± 3'	DOC TYPE	Customer Drw	
X.XXX	±0.15	X.XXX *	± 2'	DRAWN	SH Chen	DATE 2023-05-25
LINEAR DIMS		ANGLES DIMS		DESIGN	SH Chen	DATE 2023-05-25
DWG NO.:	A-S0745			CHECKED	Elven	DATE 2023-05-25
MATERIAL	SEE NOTES			APPROVED	Rain	DATE 2023-05-25
FINISHED	SEE NOTES					
SIZE	A4	PART NUMBER:	B04P-3J1B1-AA1**-1110		REV.	B
SCALE	1:1	UNIT :	mm	SHEET	3 OF 3	

This document is the property of and embodies CONFIDENTIAL and PROPRIETARY information of AAOR. No part of the information shown on this document may be used in any way or disclosed to others without the written consent of AAOR. © 2019 AAOR