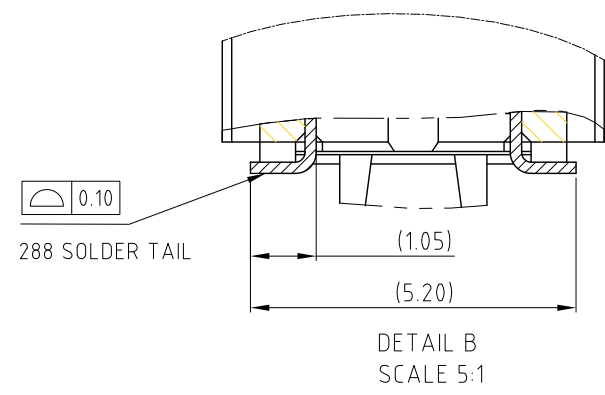
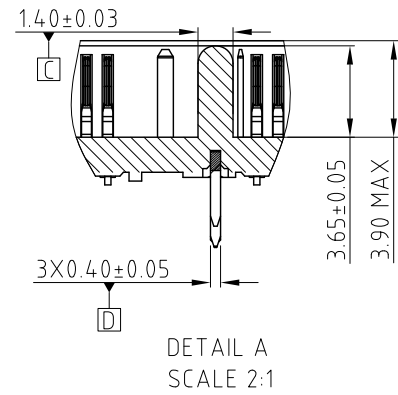
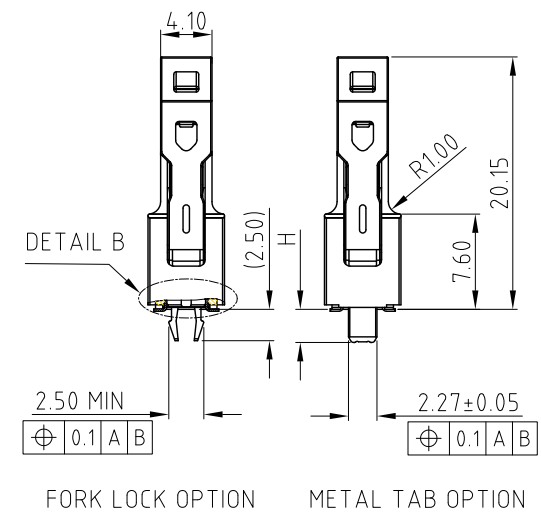
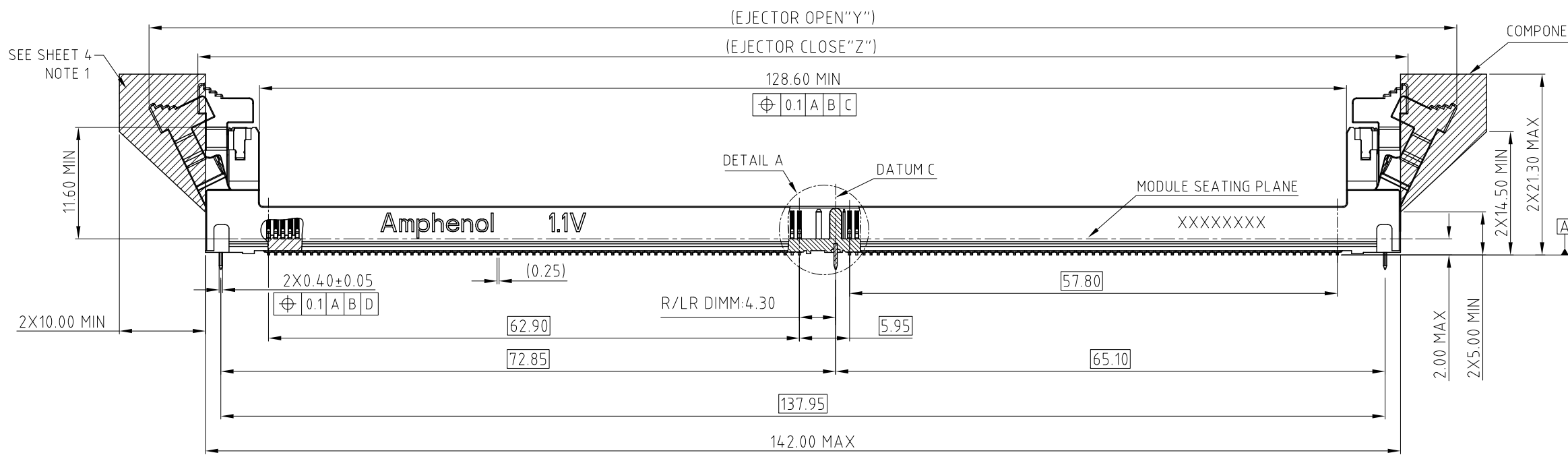
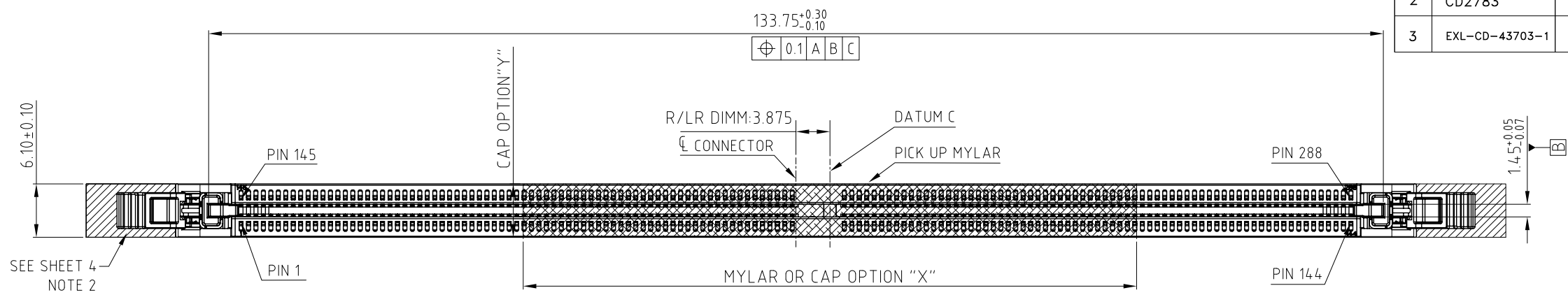


This document is the property of Amphenol Corporation and is delivered on the express condition that it is not to be disclosed, reproduced or used, in whole or in part, for manufacture or sale by anyone other than Amphenol Corporation without its prior consent, & that no right is granted to disclose or to use any information in this document.

CUSTOMER DRAWING

REVISIONS				
SYM	ECN	DESCRIPTION	DATE	APPROVED
1	CD2668	FIRST RELEASED	Jun.4,2021	YH
2	CD2783	UPDATED NOTES	Sep.13,2021	YH
3	EXL-CD-43703-1	CHANGE THE HOUSING TOWER RADIUS FROM R0.5 TO R1.0	Feb.10,2022	YH



ITEM	EJECTOR OPEN DIMENSION "Y"	EJECTOR CLOSE DIMENSION "Z"	EJECTOR FIGURE
NARROW STANDARD LATCH	156.00	144.00	

UNLESS OTHERWISE SPECIFIED TOLERANCES

	U.S.	METRIC
.X +/-		0.35
.XX +/-		0.25
.XXX +/-		0.15
FRACTIONS +/-		
ANGLES +/-		3°

FOR MATERIALS AND FINISHES SEE NOTES

REMOVE SHARP EDGES

DIMENSIONS

U.S.	INCHES
(METRIC)	(MM)

APPROVAL		DATE
DRAWN	Henry.he	Feb.10,2022
CHECKED		
CHECKED		

DRAWING FILE : DRAWING\DDR\CDDR506XXXXXXQ

ANGLE OF PROJECTION

Amphenol

TITLE: DDR5 288P R/LR DIMM CONNECTOR

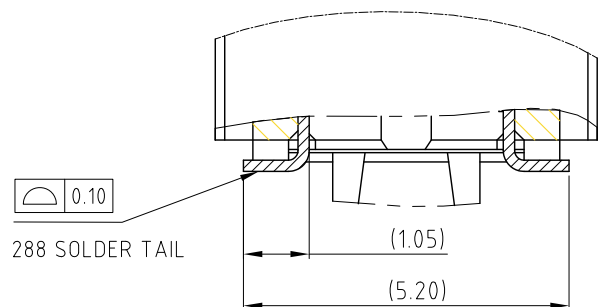
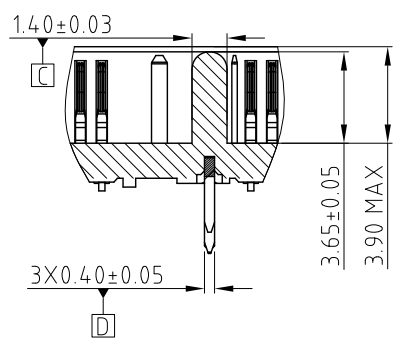
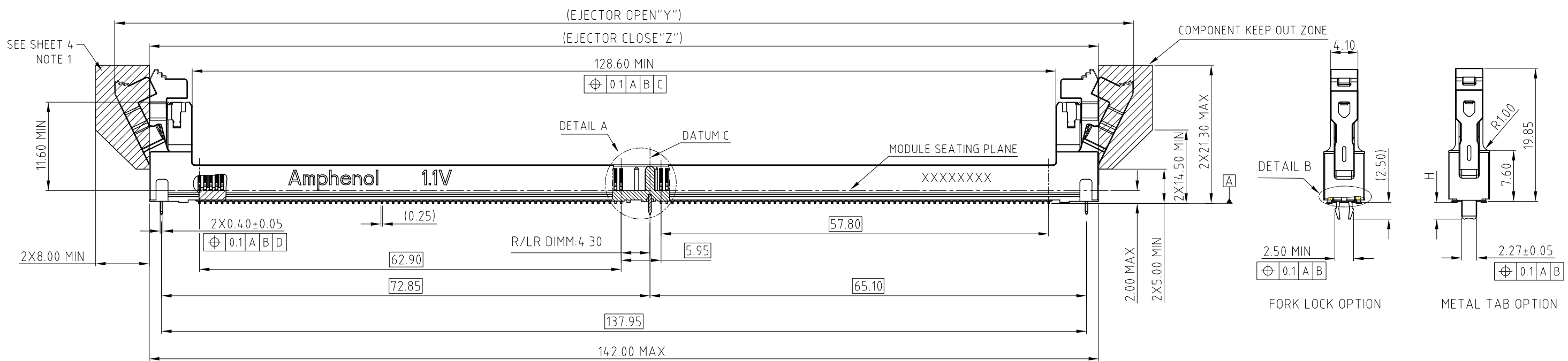
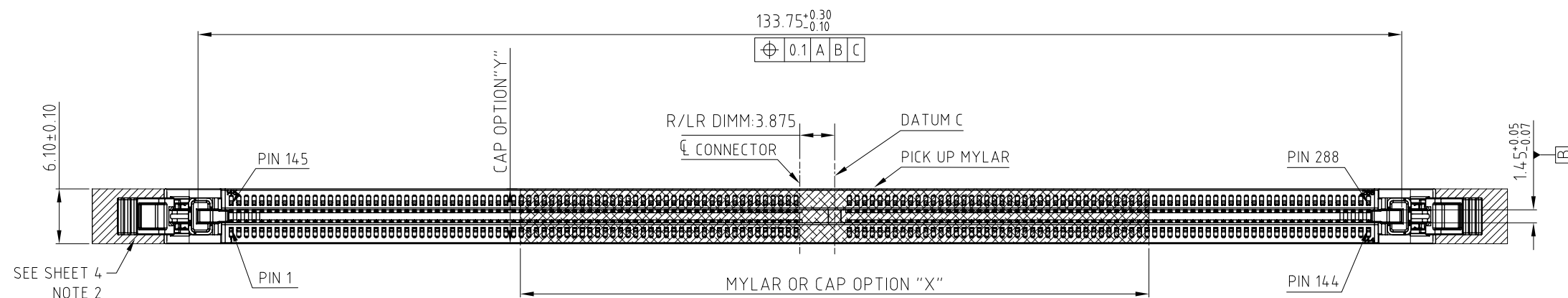
SIZE	DRAWING NO.	REV.
A3 C	DDR5-06-X-X-X-XXX-X-Q	3

SCALE: NONE SHEET 1 OF 6

This document is the property of Amphenol Corporation and is delivered on the express condition that it is not to be disclosed, reproduced or used, in whole or in part, for manufacture or sale by anyone other than Amphenol Corporation without its prior consent, & that no right is granted to disclose or to use any information in this document.

CUSTOMER DRAWING

REVISIONS				
SYM	ECN	DESCRIPTION	DATE	APPROVED
		SEE SHEET 1		

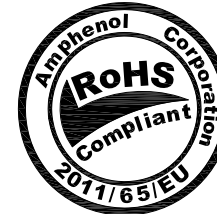


ITEM	EJECTOR OPEN DIMENSION "Y"	EJECTOR CLOSE DIMENSION "Z"	EJECTOR FIGURE
NARROW SHORT LATCH	152.00	142.00	

UNLESS OTHERWISE SPECIFIED TOLERANCES		APPROVAL	DATE	Amphenol
.X +/-	0.35	DRAWN Henry.he	Feb.10,2022	
.XX +/-	0.25	CHECKED		
.XXX +/-	0.15	CHECKED		
FRACTIONS +/-		DRAWING FILE : DRAWING\DDR\CDDR506XXXXXXQ		
ANGLES +/-	3°	TITLE		
FOR MATERIALS AND FINISHES SEE NOTES		DDR5 288P R/LR DIMM CONNECTOR		
REMOVE SHARP EDGES		ANGLE OF PROJECTION		
DIMENSIONS				
U.S.	INCHES	SIZE	DRAWING NO.	
(METRIC)	(MM)	A3 C	DDR5-06-X-X-X-XXX-X-Q	
		SCALE	NONE	
		SHEET 2 OF 6		
		REV.	3	

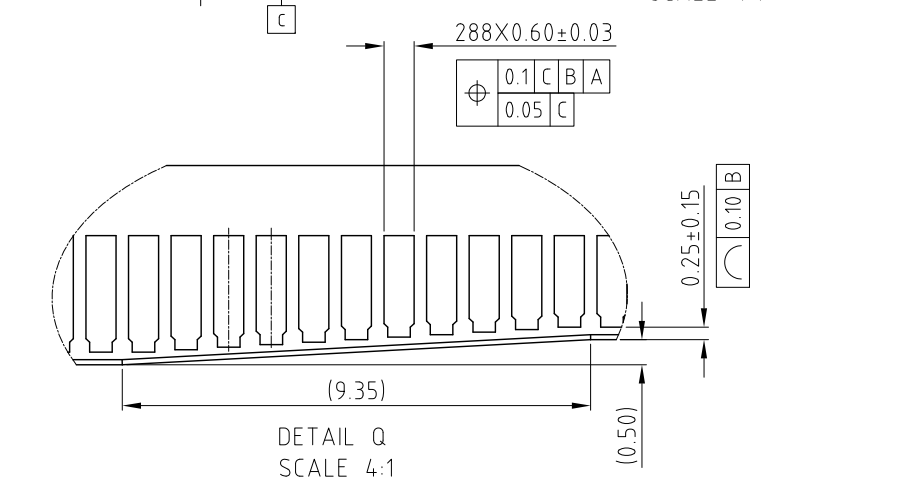
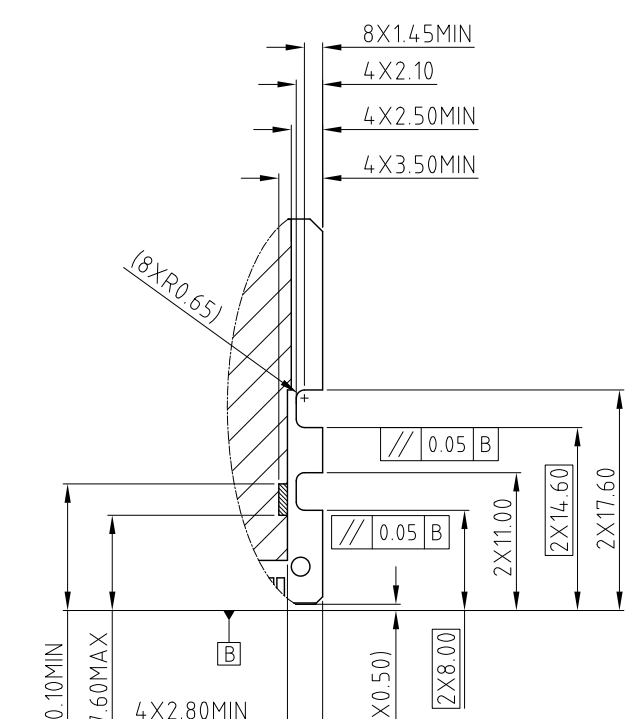
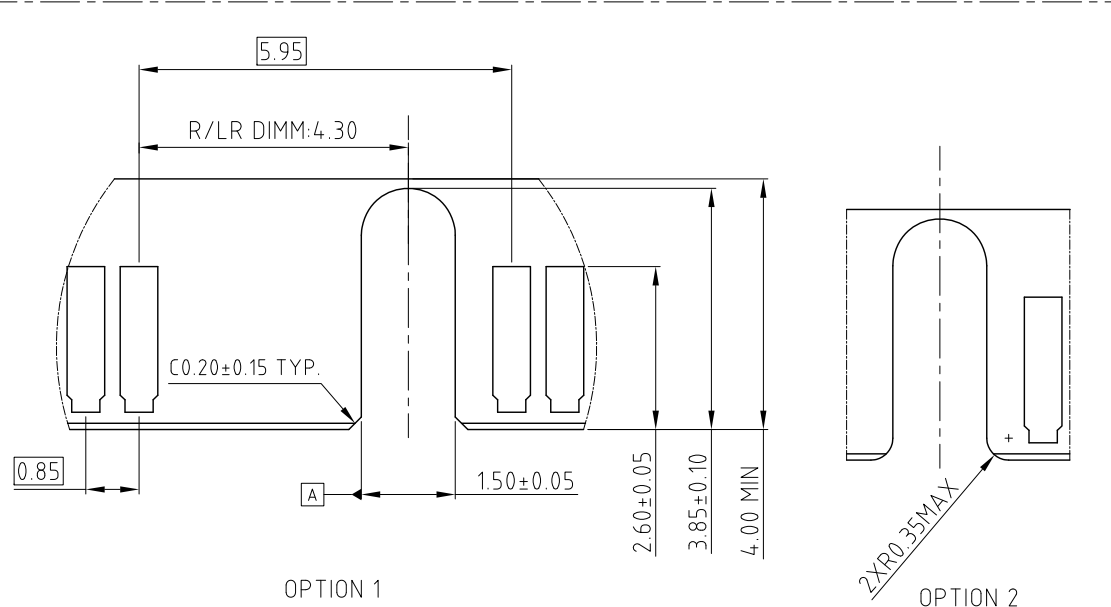
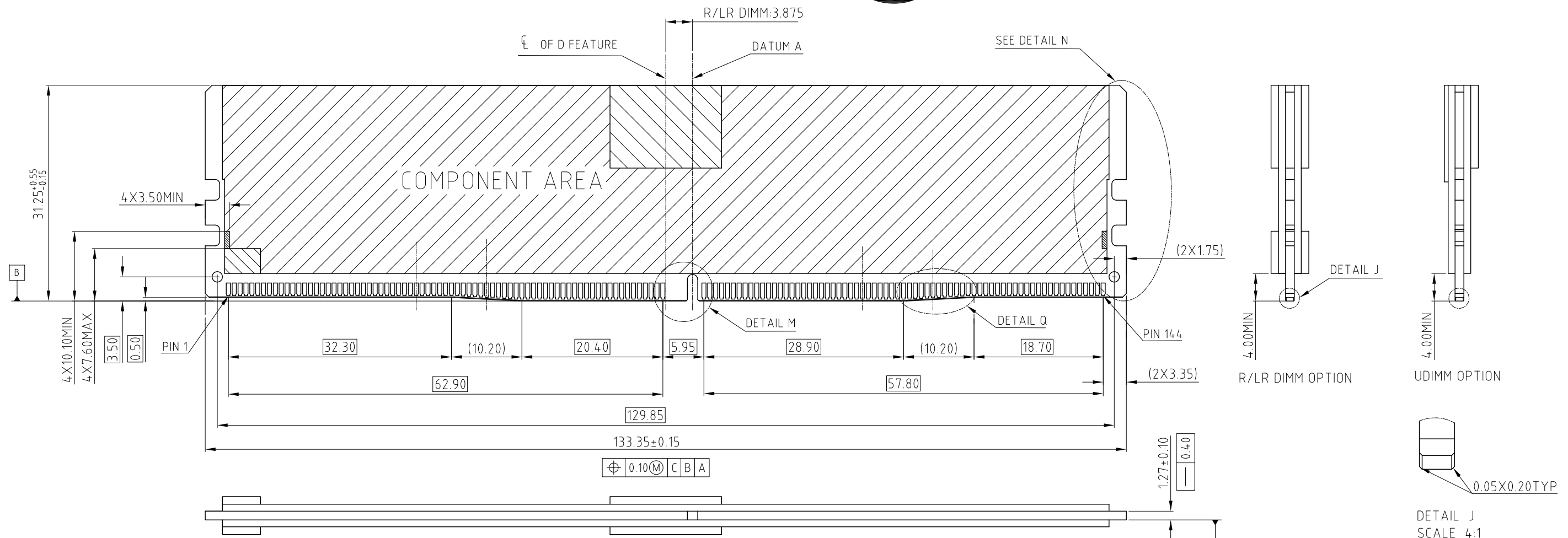
This document is the property of Amphenol Corporation and is delivered on the express condition that it is not to be disclosed, reproduced or used, in whole or in part, for manufacture or sale by anyone other than Amphenol Corporation without its prior consent, & that no right is granted to disclose or to use any information in this document.

CUSTOMER DRAWING



REVISIONS				
SYM	ECN	DESCRIPTION	DATE	APPROVED
		SEE SHEET 1		

DDR5 MODULE
MORE INFORMATION REFER TO JEDEC MO-329



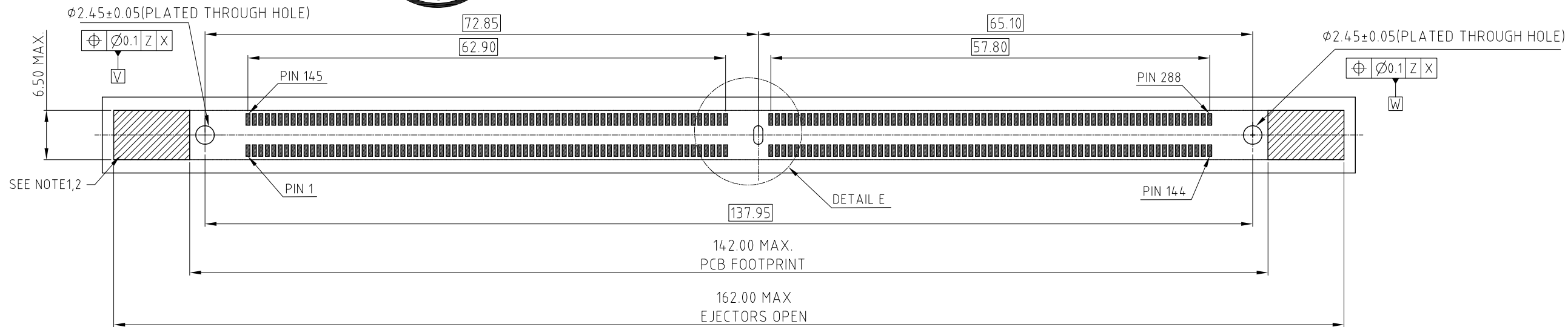
UNLESS OTHERWISE SPECIFIED TOLERANCES		APPROVAL		DATE	Amphenol
U.S.	METRIC	DRAWN	Henry.he	Feb.10,2022	
.X	+/-				TITLE DDR5 288P R/LR DIMM CONNECTOR
.XX	+/-	CHECKED			
.XXX	+/-	CHECKED			DRAWING FILE : DRAWING\DDR\CDDR506XXXXXXQ
FRACTIONS	+/-				
ANGLES	+/-				SIZE A3
REMOVE SHARP EDGES		ANGLE OF PROJECTION			DRAWING NO. C DDR5-06-X-X-X-XXX-X-Q
DIMENSIONS		U.S. INCHES			REV. 3
(METRIC) (MM)					SCALE NONE
					SHEET 3 OF 6

This document is the property of Amphenol Corporation and is delivered on the express condition that it is not to be disclosed, reproduced or used, in whole or in part, for manufacture or sale by anyone other than Amphenol Corporation without its prior consent, & that no right is granted to disclose or to use any information in this document.

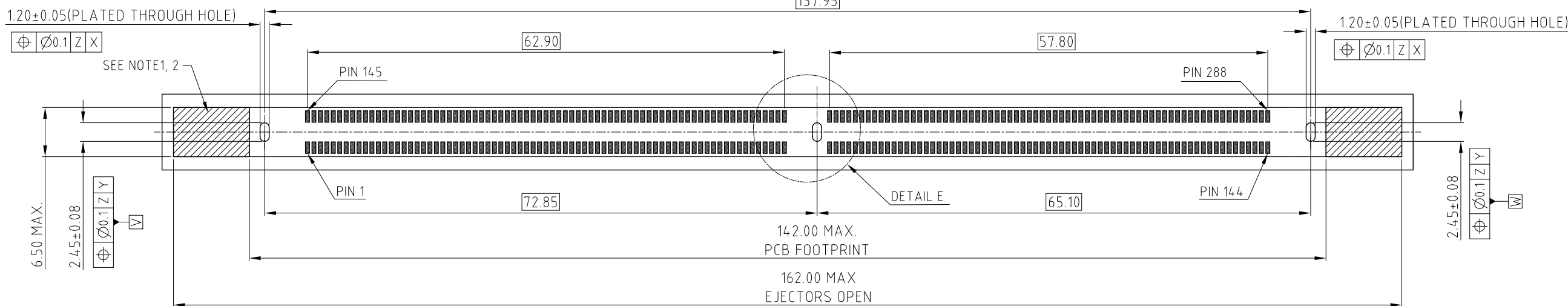


CUSTOMER DRAWING

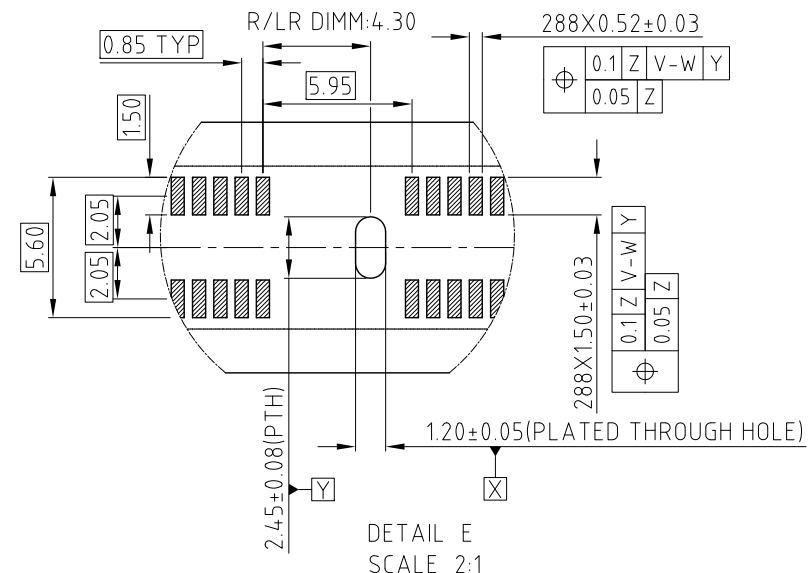
REVISIONS				
SYM	ECN	DESCRIPTION	DATE	APPROVED
		SEE SHEET1		



RECOMMENDED PCB FOOTPRINT (OPTION 1)



RECOMMENDED PCB FOOTPRINT (OPTION 2)



ADDITIONAL NOTES:
 1.KEEP OUT CROSS HATCH IS RESERVED FOR SOCKET EJECTORS AT BOTH ENDS
 2.KEEP OUT ZONE IS HEIGHT LIMITED PER NOTE 1
 3.RECOMMENDED STENCIL THICKNESS :

REFLOW CONDITION	THICKNESS OF STENCIL
AIR	0.18MM MIN
NITROGEN	0.18MM MIN
REWORK	0.20MM MIN

RECOMMENDED PCB LAYOUT
 MORE INFORMATION REFER TO JEDEC SO-023

UNLESS OTHERWISE SPECIFIED TOLERANCES		APPROVAL	DATE	Amphenol
U.S. METRIC		DRAWN Henry.he	Feb.10,2022	
.X +/-	0.35	CHECKED		TITLE DDR5 288P R/LR DIMM CONNECTOR
.XX +/-	0.25	CHECKED		
.XXX +/-	0.15	DRAWING FILE : DRAWING\DDR\CDDR506XXXXXX.Q		SIZE DRAWING NO. A3 C DDR5-06-X-X-X-XXX-X-Q
FRACTIONS +/-	3°	REMOVE SHARP EDGES		SCALE NONE
ANGLES +/-		DIMENSIONS		SHEET 4 OF 6
		ANGLE OF PROJECTION		REV. 3
		U.S. INCHES		
		(METRIC) (MM)		

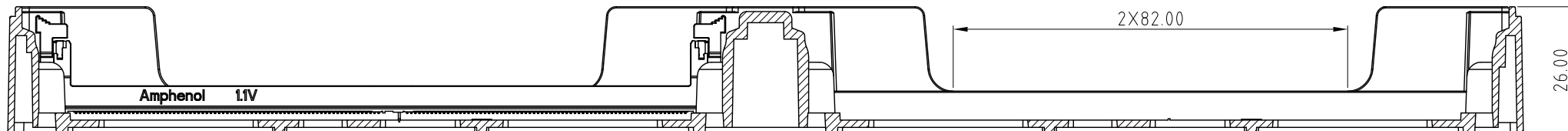
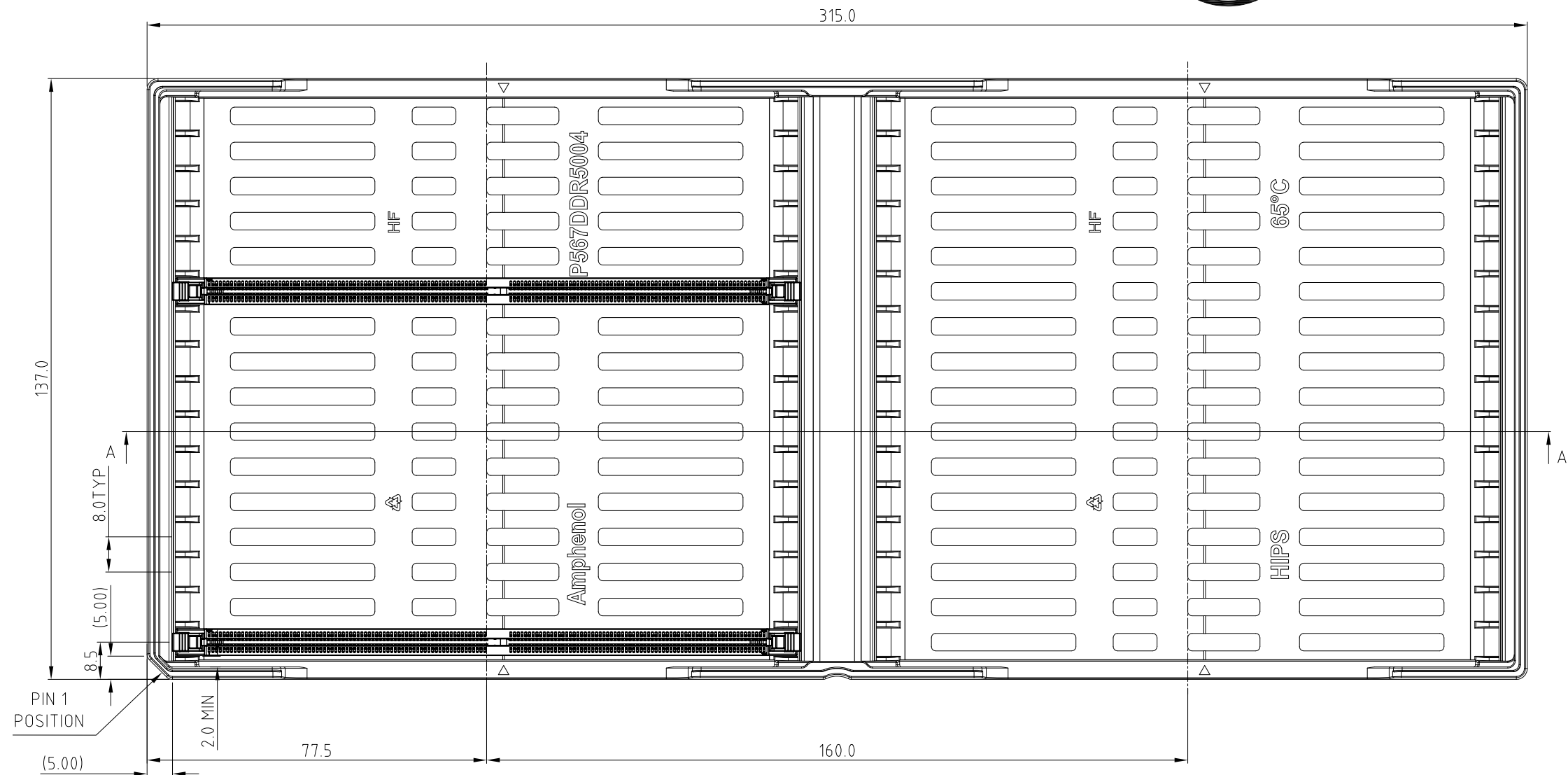
This document is the property of Amphenol Corporation and is delivered on the express condition that it is not to be disclosed, reproduced or used, in whole or in part, for manufacture or sale by anyone other than Amphenol Corporation without its prior consent, & that no right is granted to disclose or to use any information in this document.

CUSTOMER DRAWING



REVISIONS				
SYM	ECN	DESCRIPTION	DATE	APPROVED
		SEE SHEET1		

PACKING TRAY DRAWING



SECTION A-A

- NOTES:
 1. MATERIAL: HIPS, BLACK
 2. QUANTITY: 32PCS/TRAY

UNLESS OTHERWISE SPECIFIED TOLERANCES

	U.S.	METRIC
.X +/-		0.35
.XX +/-		0.25
.XXX +/-		0.15
FRACTIONS +/-		
ANGLES +/-		3°

FOR MATERIALS AND FINISHES SEE NOTES

REMOVE SHARP EDGES

DIMENSIONS	
U.S.	INCHES
(METRIC)	(MM)

APPROVAL		DATE
DRAWN	Henry.he	Feb.10,2022
CHECKED		
CHECKED		

DRAWING FILE :
DRAWING\DDR\CDDR506XXXXXXQ

ANGLE OF PROJECTION

Amphenol		
TITLE DDR5 288P R/LR DIMM CONNECTOR		
SIZE	DRAWING NO.	REV.
A3	C DDR5-06-X-X-X-XXX-X-Q	3
SCALE	NONE	SHEET 5 OF 6

CUSTOMER DRAWING

REVISIONS				
SYM	ECN	DESCRIPTION	DATE	APPROVED
		SEE SHEET1		

NOTES:

1. MATERIAL:
 - 1.1 HOUSING: HIGH TEMPERATURE THERMAL PLASTIC, UL94V-0, COLOR:OPTION.
 - 1.2 LATCH: HIGH TEMPERATURE THERMAL PLASTIC, UL94V-0. COLOR: OPTION.
 - 1.3 TERMINAL: COPPER ALLOY.
 - 1.4 BOARDLOCK: COPPER ALLOY.
 - 1.5 METAL CLIP: SUS.
2. FINISH:
 - 2.1 TERMINAL:
 - 2.1.1 CONTACT AREA: SELECTED GOLD PLATING;
 - 2.1.2 SOLDERING AREA: MATTE TIN PLATING 100u" THICKNESS MIN; UNDER PLATING: NICKEL PLATING 50u" THICKNESS MIN. UNLESS OTHERWISE SPECIFIED
 - 2.2 BOARDLOCK:
 - 2.2.1 100u" MIN LEAD FREE MATTE TIN OVER 50u" MIN NICKEL UNDERPLATED OVERALL.
3. ELECTRICAL CHARACTERISTICS:
 - 3.1 CONTACT CURRENT RATING:1.0A MAX
 - 3.2 INSULATION RESISTANCE:1MΩ MIN. 500ADC.
 - 3.3 DIELECTRIC WITHSTANDING VOLTAGE:500 VAC AT SEA LEVEL.
 - 3.4 LOW LEVEL CONTACT RESISTANCE:
 - INITIAL:4.0mΩ MAX.
 - FINAL:THE CHANGE IN LLCR BETWEEN THE READING AFTER STRESS AND THE INITIAL READING SHALL NOT EXCEED 20 mΩ MAX.
4. MECHANICAL CHARACTERISTICS:
 - 4.1 CONTACT RETENTION FORCE:300gf MIN/PER PIN.
 - 4.2 DURABILITY:25 CYCLES.
 - 4.3 INSERTION FORCE (MODULE TO CONNECTOR) :106.8N MAX. UNMATING FORCE :19.77N MIN.
5. RELIABILITY AND OTHER CHARACTERISTICS:
 - 5.1 SOLDERABILITY -LEAD FREE: JESD22-B102; CONDITION C, 8 HOURS ±15 MINUTES STEAM PRECONDITION.
 - 5.2 VIBRATION: EIA-364-28, RANDOM PROFILE:
 - 5 HZ @ 0.01 g²/HZ TO 20HZ @ 0.02g²/HZ (SLOPE UP), 20 HZ TO 500HZ @ 0.02g²/HZ (FLAT), INPUT ACCELERATION IS 3.13g RMS.
 - 5.3 CYCLIC TEMPERATURE AND HUMIDITY: PER EIA-364-31, METHOD III WITHOUT CONDITIONING, INITIAL MEASUREMENTS, COLD SHOCK AND VIBRATION.
 - 5.4 THERMAL SHOCK: PASSED PER EIA-364-32, METHOD A, TABLE 2, TEST CONDITION 1, -55°C TO 85°C. PERFORM 5 CYCLES IN MATED CONDITION.
 - 5.5 MECHANICAL SHOCK: EIA-364-27, TEST CONDITION E,
 - 5.6 OPERATING TEMPERATURE: -55°C TO 85°C.
6. HALOGEN-FREE COMPLIANT PRODUCT. MEET AMPHENOL SPEC # S-SN-004.
7. ORDER PN SYSTEM: DDR5 XX X X X XXX X X

- DOUBLE DATA RATE 5 SERIES
- XX: APPLICATION TYPE
06: SMT,288P, R/LR DIMM CONNECTOR
-
- X: HOUSING COLOR
1: BLACK
2: NATURAL (IVORY)
3: YELLOW
4: BLUE
-
- X: LATCH COLOR
1: BLACK
2: NATURAL (IVORY)
3: YELLOW
4: BLUE
-
- X: CONTACT PLATED
0: GOLD FLASH
1: 15u" Au ON CONTACT AREA
2: 30u" Au ON CONTACT AREA
3: 15u" MIN GXT
4: 30u" MIN GXT
5: 15u" Au ON CONTACT AREA AND 90u" Ni MIN ON UNDERPLATING:
6: 30u" Au ON CONTACT AREA AND 90u" Ni MIN ON UNDERPLATING:
8: 18u" AU ON CONTACT AREA

- X: CUSTOMER CODE OPTION:
Q: FOR QUANTA
-
- X: PACKING AND MYLAR OPTIONS
T: SOFT TRAY
H: HARD TRAY PACKAGE, WITH MYLAR "X"=40MM
J: HARD TRAY PACKAGE, WITH MYLAR "X"=70MM
K: HARD TRAY PACKAGE, WITHOUT MYLAR
M: HARD TRAY PACKAGE, WITH MYLAR "X"=90MM
C: HARD TRAY PACKAGE,WITH CAP "X"=70MM;"Y"=6MM
-

SEE SEQUENCE NUMBER TABLE

SEQUENCE NUMBER		
CODE	OPTION DESCRIPTION	FIGURE (H)
001	1. NARROW HOUSING 2. NARROW STANDARD LATCH 3. FORK LOCK	(2.50)
002	1. NARROW HOUSING 2. NARROW STANDARD LATCH 3. METAL TAB	(2.65)
003	1. NARROW HOUSING 2. NARROW STANDARD LATCH 3. METAL TAB	(1.85)
004	1. NARROW HOUSING 2. NARROW SHORT LATCH 3. FORK LOCK	(2.50)
005	1. NARROW HOUSING 2. NARROW SHORT LATCH 3. METAL TAB	(2.65)
006	1. NARROW HOUSING 2. NARROW SHORT LATCH 3. METAL TAB	(1.85)



UNLESS OTHERWISE SPECIFIED TOLERANCES		APPROVAL		DATE		Amphenol	
U.S. METRIC		DRAWN	Henry.he	Feb.10,2022			
.X +/-	0.35	CHECKED				TITLE	
.XX +/-	0.25	CHECKED				DDR5 288P R/LR DIMM CONNECTOR	
.XXX +/-	0.15					DRAWING FILE : DRAWING\DDR\CDDR506XXXXXXQ	
FRACTIONS +/-						SIZE DRAWING NO.	
ANGLES +/-	3°					A3 C DDR5-06-X-X-X-XXX-X-Q	
FOR MATERIALS AND FINISHES SEE NOTES		REMOVE SHARP EDGES		ANGLE OF PROJECTION		REV.	
						3	
DIMENSIONS						SCALE NONE SHEET 6 OF 6	
U.S. INCHES							
(METRIC)	(MM)						