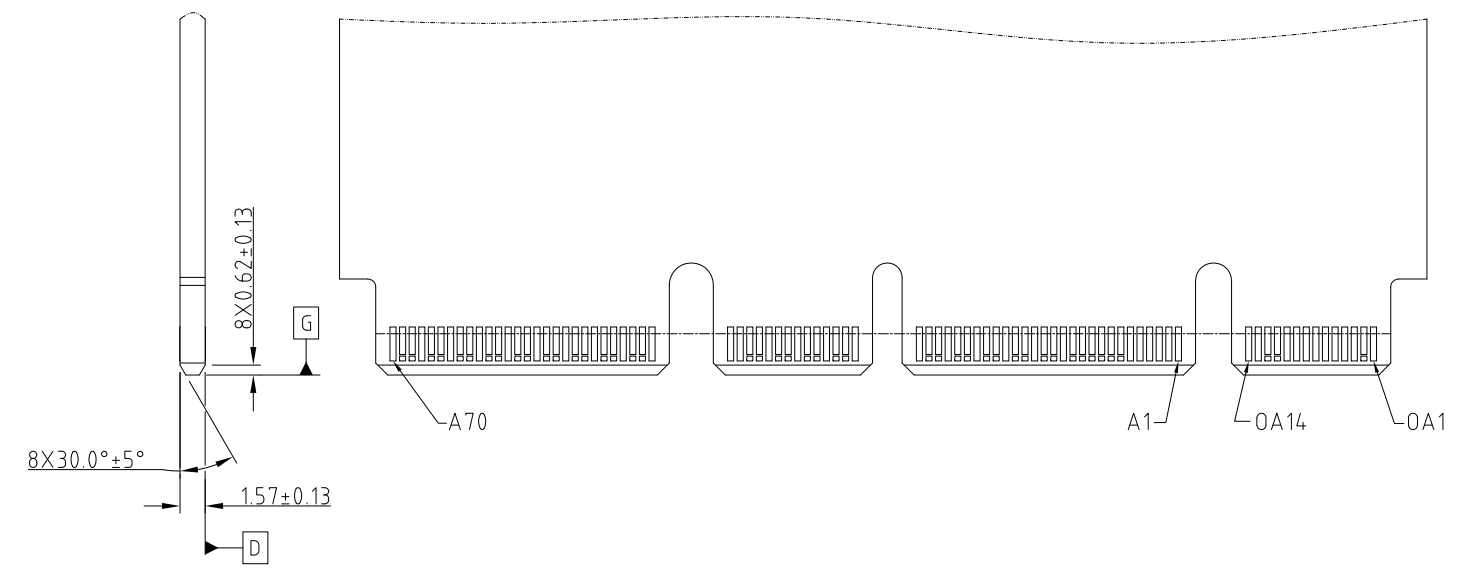
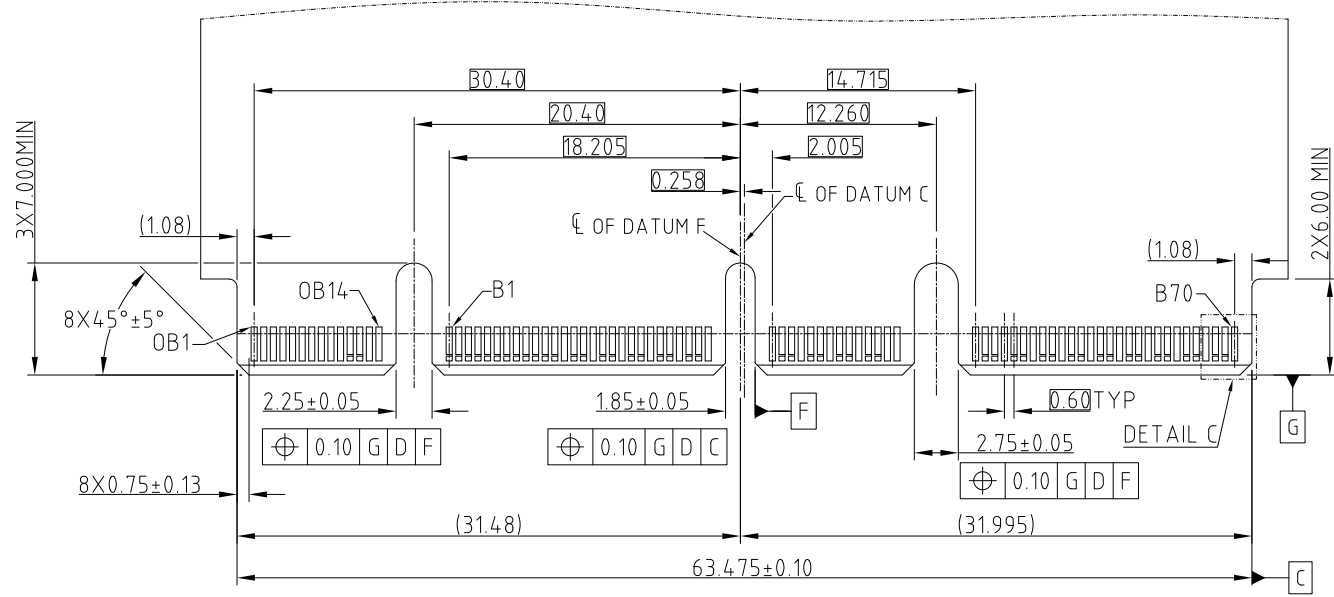


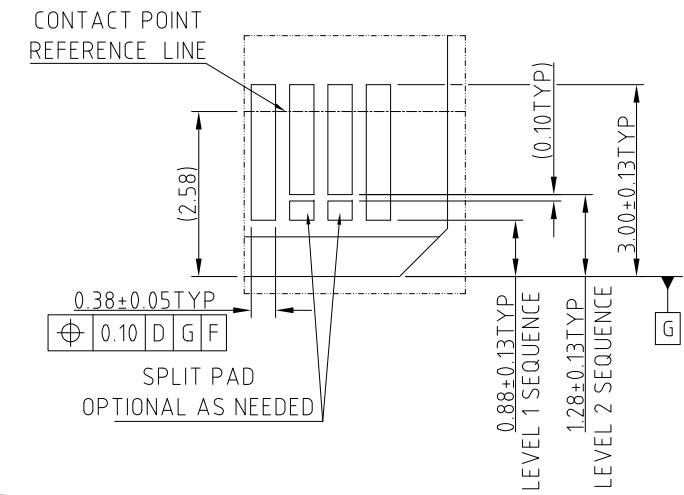
This document is the property of Amphenol Corporation and is delivered on the express condition that it is not to be disclosed, reproduced or used, in whole or in part, for manufacture or sale by anyone other than Amphenol Corporation without its prior consent, & that no right is granted to disclose or to use any information in this document.

CUSTOMER DRAWING

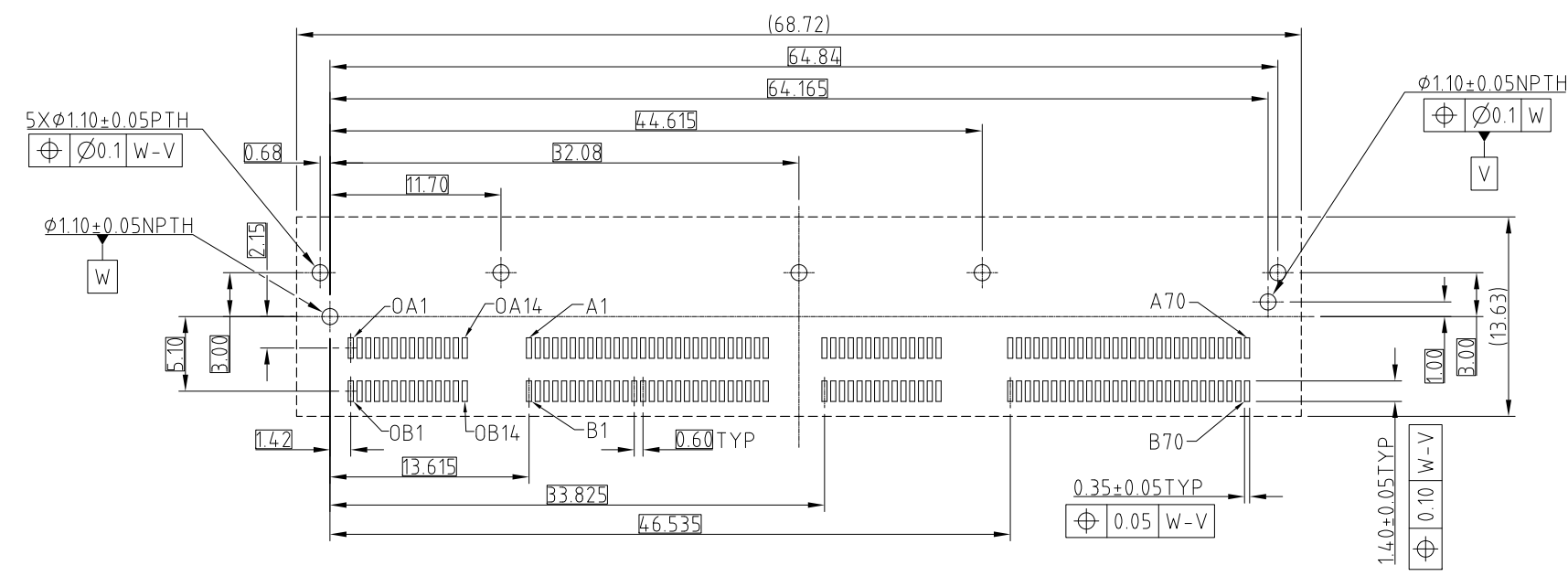
REVISIONS				
SYM	ECN	DESCRIPTION	DATE	APPROVED
		SEE SHEET 1		



RECOMMENDED AIC MATING CARD



DETAIL C
SCALE 4:1



RECOMMENDED FOOTPRINT

UNLESS OTHERWISE SPECIFIED TOLERANCES	
U.S.	METRIC
.X +/-	0.25
.XX +/-	0.20
.XXX +/-	0.15
FRACTIONS +/-	
ANGLES +/-	5°
FOR MATERIALS AND FINISHES SEE NOTES	
REMOVE SHARP EDGES	
DIMENSIONS	
—U.S.—	INCHES
(METRIC)	(mm)

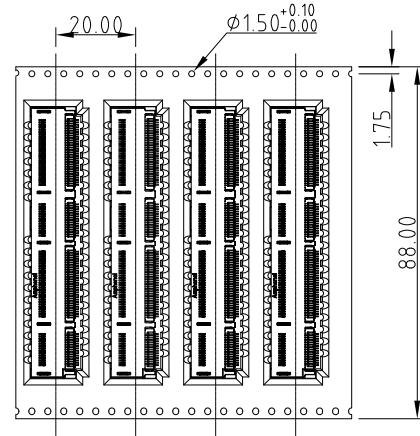
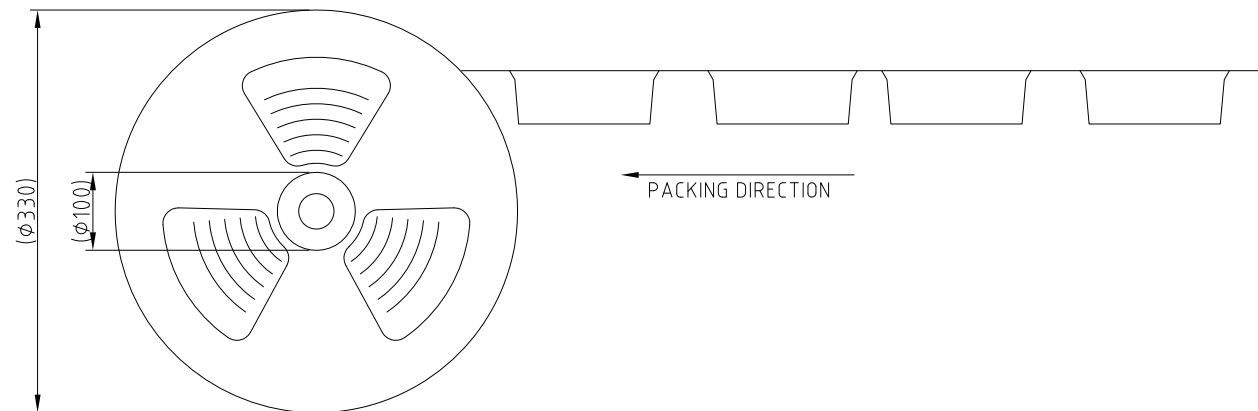
APPROVAL	DATE
DRAWN Teng.Cao	Jul.14,2019
CHECKED Ly.Yi	Jul.14,2019
APPROVED	
DRAWING FILE :	
INTERNAL\DRAWING\ME\CME101681020103X	
ANGLE OF PROJECTION	

Amphenol		
TITLE		
MINI COOL EDGE CONNECTOR		
168P R/A 0.6MM PITCH 4.05		
SIZE	DRAWING NO.	REV.
A3	C ME101681020103X	9
SCALE	NONE	SHEET 2 OF 3

This document is the property of Amphenol Corporation and is delivered on the express condition that it is not to be disclosed, reproduced or used, in whole or in part, for manufacture or sale by anyone other than Amphenol Corporation without its prior consent, & that no right is granted to disclose or to use any information in this document.

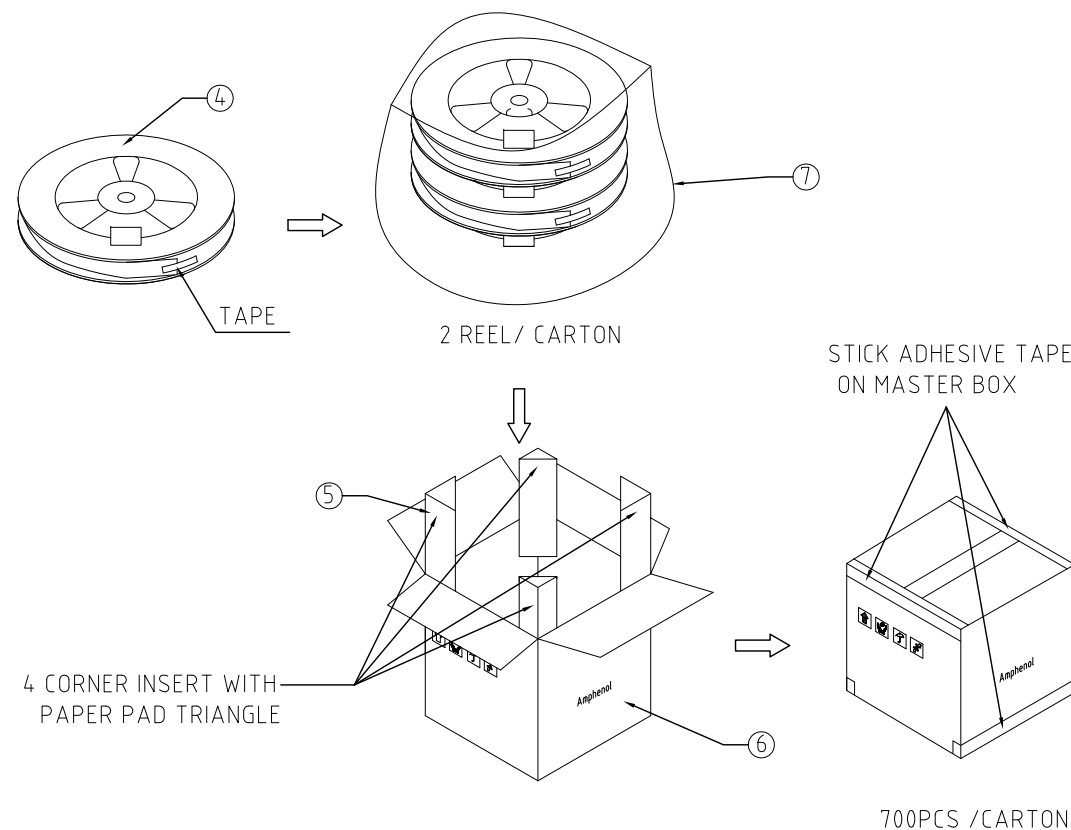
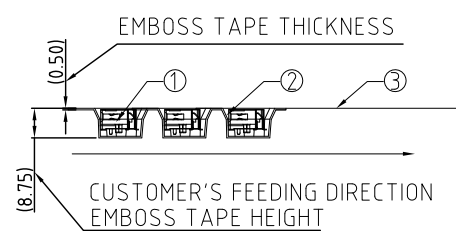
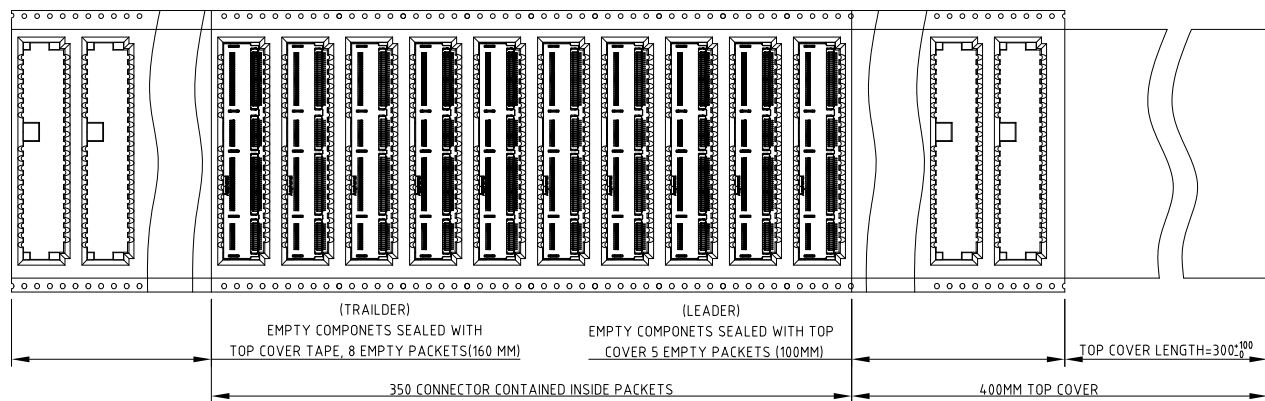
CUSTOMER DRAWING

REVISIONS				
SYM	ECN	DESCRIPTION	DATE	APPROVED
		SEE SHEET 1		



SEE DETAIL A

CUSTOMER'S FEEDING DIRECTION



THIS PAGE FOR REFERENCE ONLY

ITEM	DESCRIPTION	MATERIAL
7	PLASTIC BAG	
6	PAPER PAD TRIANGLE	CORRUGATED FIBERBOARD
5	MASTER BOX	CORRUGATED FIBERBOARD
4	PP REEL	PP
3	TOP COVER TAPE	PET
2	EMBOSS TAPE	POLYSTYRENE
1	Connector	

UNLESS OTHERWISE SPECIFIED TOLERANCES		APPROVAL	DATE	Amphenol	
	U.S.	DATE	DATE		
.X	+/-	0.25	Jul.14,2019	TITLE	
.XX	+/-	0.20	Ly.Yi	MINI COOL EDGE CONNECTOR	
.XXX	+/-	0.15	Jul.14,2019	168P R/A 0.6MM PITCH 4.05	
ANGLES	+/-	5°		SIZE	DRAWING NO.
FOR MATERIALS AND FINISHES SEE NOTES			DRAWING FILE :	A3	C ME101681020103X
REMOVE SHARP EDGES			INTERNAL\DRAWING\ME\CME101681020103X	SCALE	NONE
DIMENSIONS			ANGLE OF PROJECTION	REV.	
—U.S.— INCHES				9	
(METRIC) (mm)				SHEET 3 OF 3	