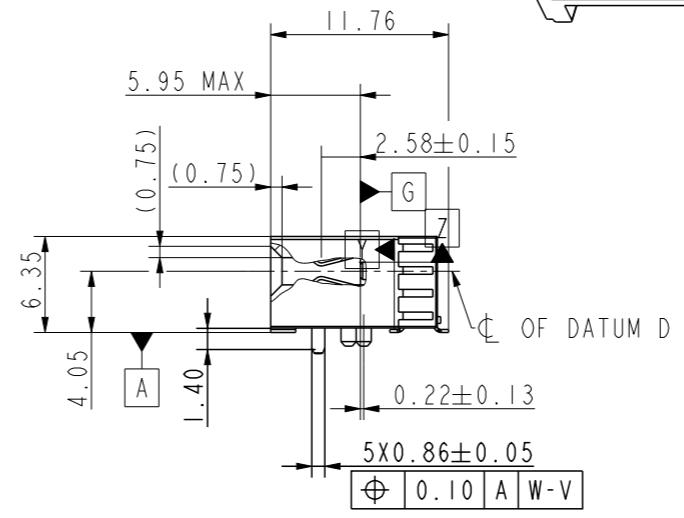
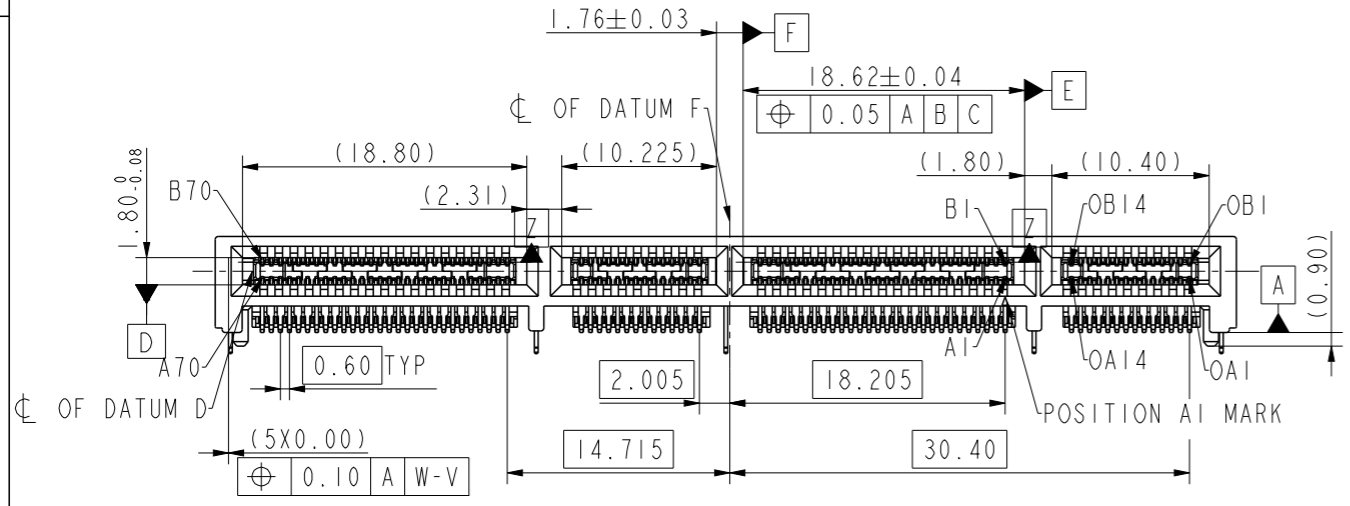
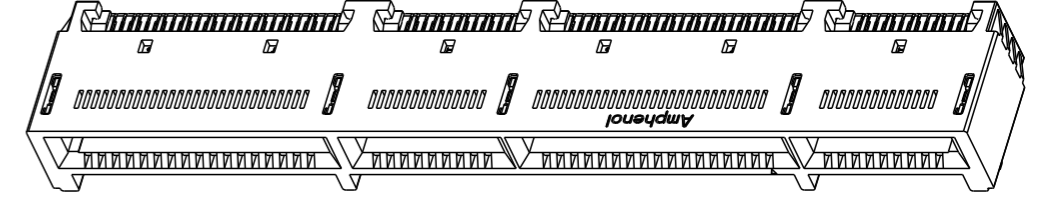
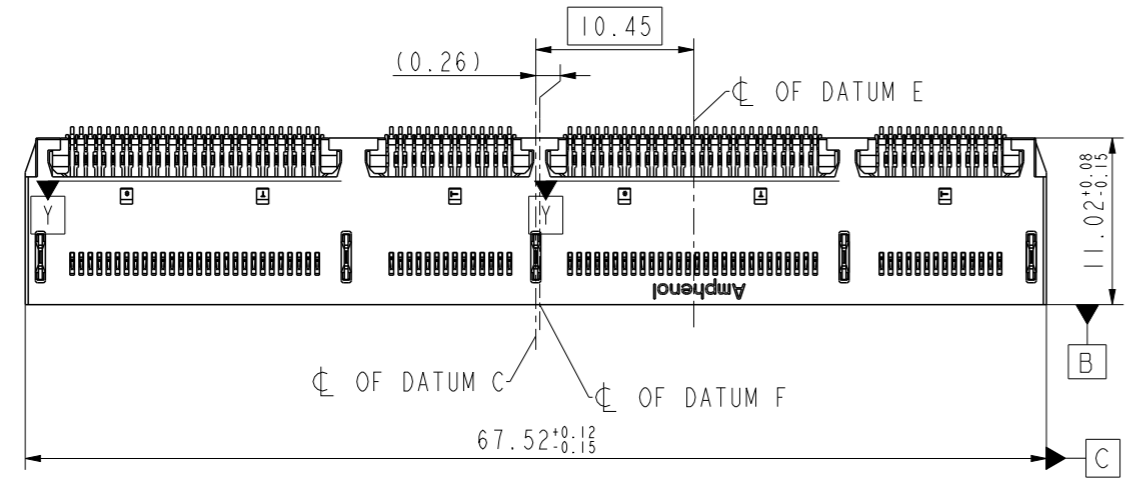


Amphenol

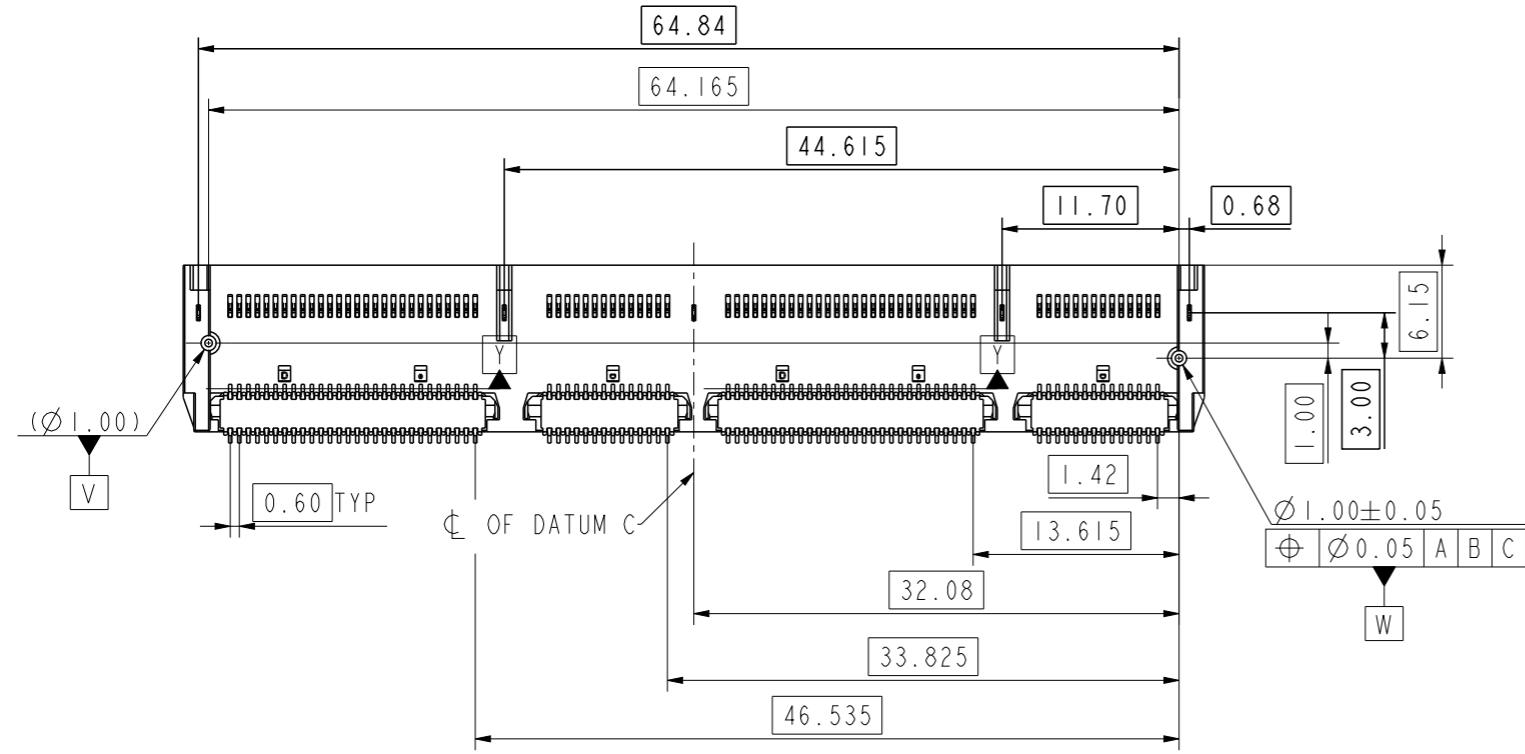
© 2021 Amphenol Corporation

revision history				
rev	ecn no	description	dr	date
A	ELX-CD-F3259-1	RELEASE	JW	2023/01/13

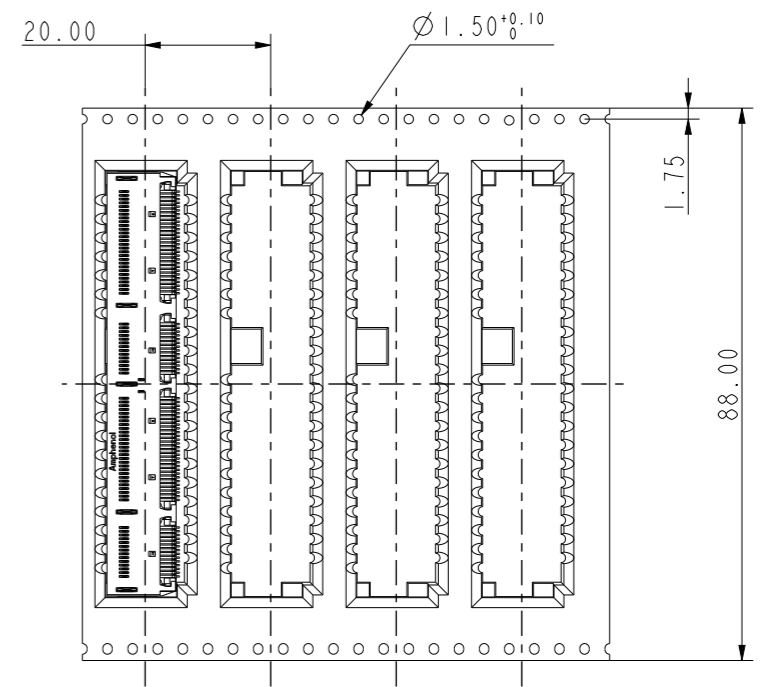
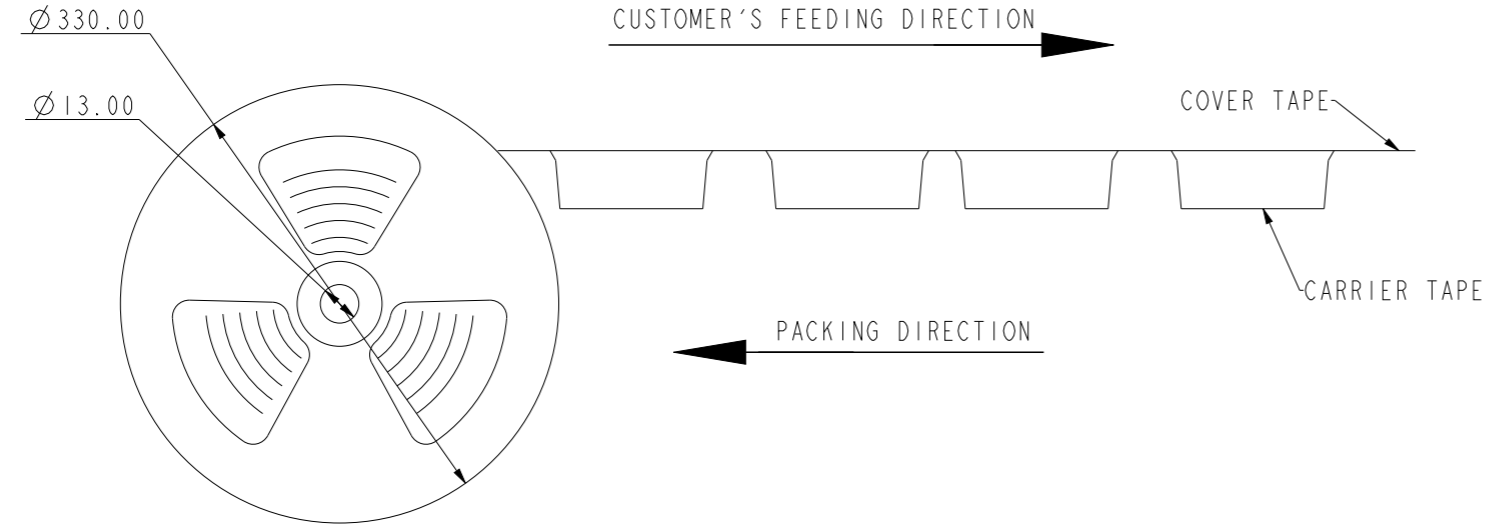
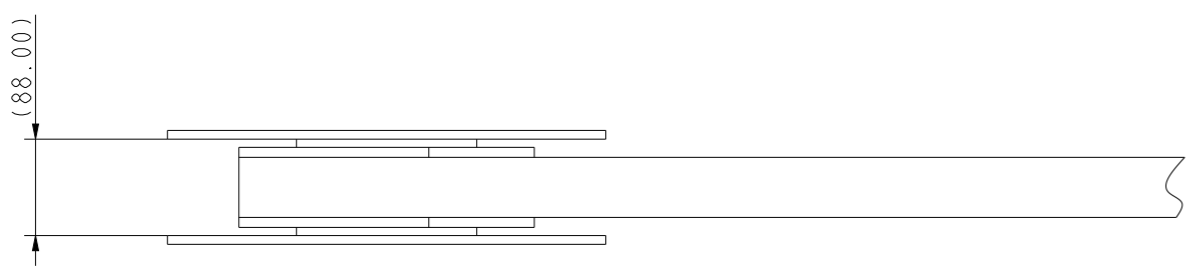


PART NUMBER	PLATING SPEC
MEI016810201095	GXT 0.38um
MEI016810201094	GXT 0.76um
MEI016810201093	GOLD FLASH
MEI016810201092	0.38um Au
MEI016810201091	0.76um Au
PART NUMBER LIST TABLE	

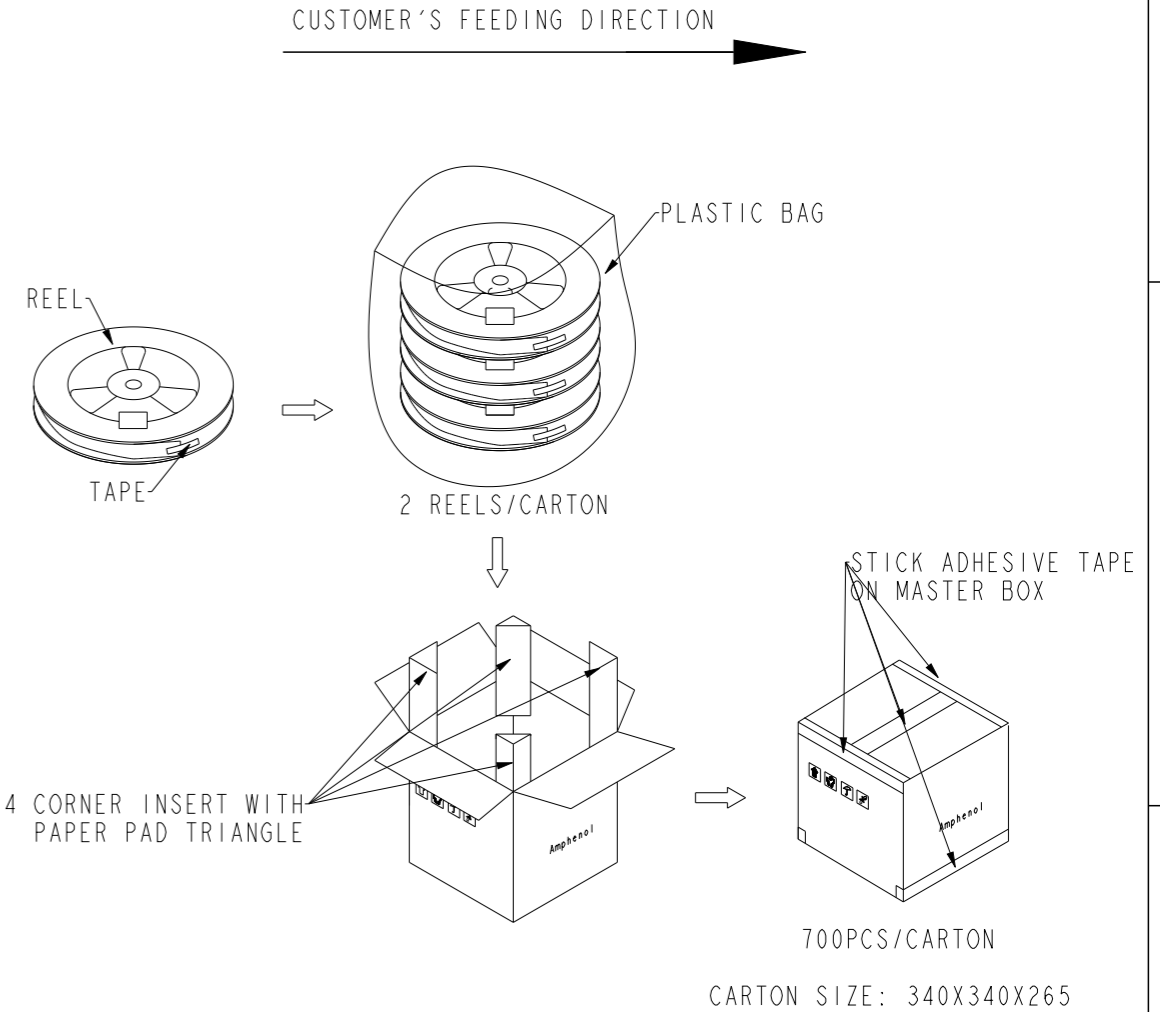
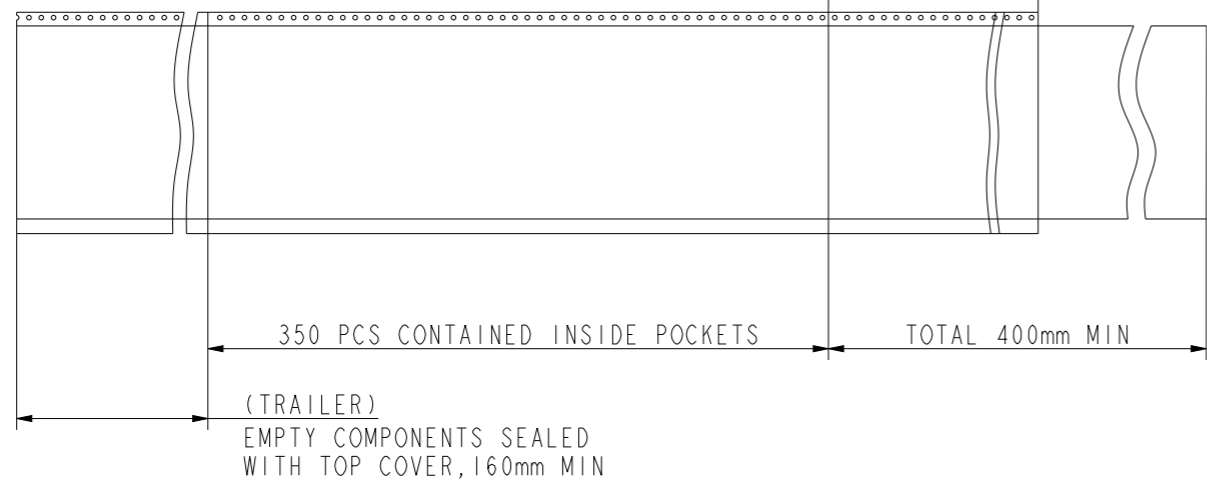
- NOTE:
- MATERIAL:
HOUSING: HIGH TEMPERATURE THERMOPLASTIC BLACK UL94-V0.
CONTACT: COPPER ALLOY
BOARD LOCK: COPPER ALLOY
 - PLATING:
CONTACT: MATING AREA: SEE PART NUMBER TABLE LIST
OVER 1.27um MIN NICKEL UNDERPLATED
SOLDER AREA: 1.27um MIN MATT TIN OVER 1.27um MIN NICKEL UNDERPLATED
BOARD LOCK: 1.27um MIN MATT TIN OVER 1.27um MIN NICKEL UNDERPLATED
 - ELECTRICAL PERFORMANCE:
RATED CURRENT: 1.1A/PIN UP TO 12PINS
LLCR: DELTA 15mΩ MAX
INSULATION RESISTANCE: 1000MΩ MIN.
 - MECHANICAL PERFORMANCE
MATING FORCE: 92.4N MAX.
UNMATING FORCE: 8.4N MIN
DURABILITY: 200CYCLES
 - CONNECTOR IS ROHS COMPLIANT.
 - ORDERING PART NUMBER SEE THE PART NUMBER TABLE LIST.



spec ref	S-ME-004	dr	Johnny Wang	2023/09/18	<h1>Amphenol</h1>	mm	scale	2:1	size	A3	
tolerance std	TOLERANCES UNLESS OTHERWISE SPECIFIED	eng	Johnny Wang	2023/10/07		ecn no					
surface	linear	r vwr	Rocky Huang	2023/09/26		amphenol-icc.com	rel level	Released			
	angular	appr	LY Yi	2023/10/07		product family	MINI COOL EDGE CONNECTOR				
									cat. no.	C MEI01681020109X	
										rev	A
										sheet 1 of 3	



(LEADER)
EMPTY COMPONENTS SEALED
WITH TOP COVER, 100mm MIN



spec ref	S-ME-004			dr	Johnny Wang	2023/09/18
tolerance std	TOLERANCES UNLESS OTHERWISE SPECIFIED			eng	Johnny Wang	2023/10/07
		0.X	± 0.25	r vwr	Rocky Huang	2023/09/26
		0.XX	± 0.15	appr	LY Yi	2023/10/07
		0.XXX	± 0.05			
surface	linear	0°	$\pm 5^\circ$	projection		
	angular					

		mm	scale	size
			2:1	A3
amphenol-icc.com		ecn no	rel level	
			Released	
title MINI COOL EDGE CONNECTOR R/A H4.05 168PIN GEN5		dng no C ME101681020109X	rev A	
product family		cat. no.	sheet 3 of 3	